

# PHILIPS

CoreLine Widebody  
Waterproof



Innovative



Easy to install



High quality

REAL  
PROs  
REAL  
QUALITY

## Soggy mess or waterproof success?

Real professionals count on  
the new **Philips CoreLine  
Widebody Waterproof.**

It's the ideal retrofit solution for conventional systems. With a wider base, sturdy and robust finish, multiple knock-outs and the ability for through wiring, installation is hassle-free and simple.

### Key Features and Benefits

- ✓ Wide base for direct replacement of T8 battens
- ✓ Available in an emergency option – AS2293 compliant

### Applications

- ✓ Warehouses
- ✓ Wet areas
- ✓ Carparks
- ✓ Factories



5ft

4ft

50,000  
hours  
@L70

IP65

IK08

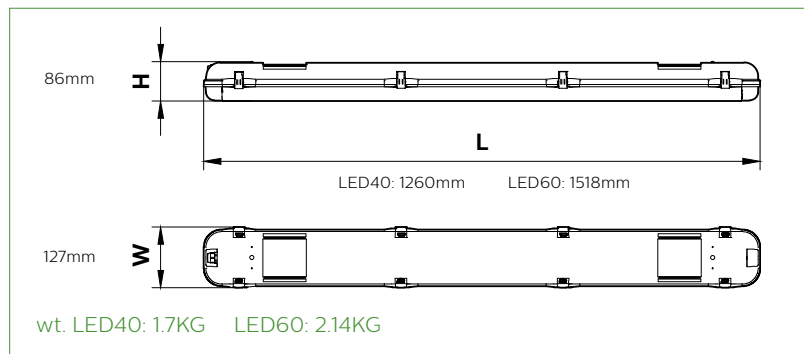
5  
years  
warranty

[www.clubblue.co.nz](http://www.clubblue.co.nz)

## Simple installation

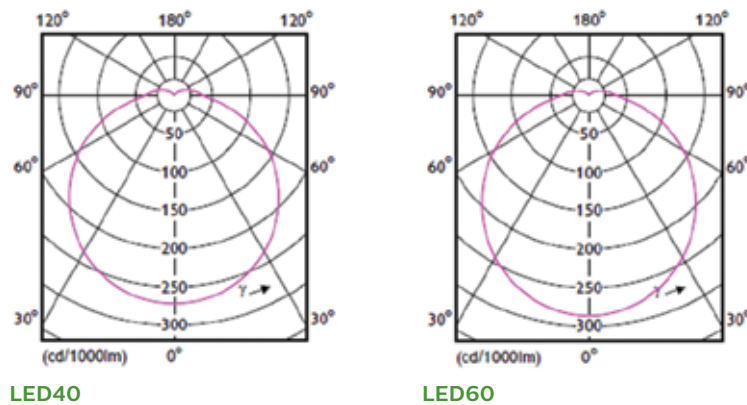
Speed and ease of install is key with features such as large terminal block, central feed as well as multiple knock outs for through wiring.

## Dimensions



Dimensions shown above are nominal measurement. Slight variation in dimension may occur in producton.

## Polar intensity



## Order codes for the CoreLine Widebody Waterproof

### CoreLine Widebody Waterproof

Specification	Part Number	Shortcode
40W, 4000lm, 4000K, 4ft, IP65	911401761162 WT008C L1200 NW 4000lm NZ CL	WT81284P
40W, 4000lm, 6500K, 4ft, IP65	911401761172 WT008C L1200 CW 4000lm NZ CL	WT81286P
60W, 6000lm, 4 000K, 5ft, IP65	911401761202 WT008C L1500 NW 6000lm NZ CL	WT81584P
40W, 6000lm, 6500K, 5ft, IP65	911401761212 WT008C L1500 CW 6000lm NZ CL	WT81586P

\*Note: Other options available on request

