

PHILIPS

CoreLine Downlight



Innovative



Easy to install



High quality

REAL
PROs
REAL
QUALITY

Letdown or downlight?



Real professionals count on the new **Philips CoreLine Downlight.**

This commercial LED downlight range combines light efficiency and comfort making it a perfect replacement for traditional compact fluorescent downlights.

The CoreLine Downlight is available in a wide range of lumen packages, sizes and two IP ratings to suit all applications.

Key Features and Benefits

- ✓ IP20 or IP54, ensuring suitability for most environments.
- ✓ Two reflectors; high gloss white or aluminium.
- ✓ Multiple lumen outputs providing design flexibility.
- ✓ Options available for Interact Pro connected lighting system.



Applications

- ✓ Offices
- ✓ Meeting rooms
- ✓ Shopping malls
- ✓ Hotels

50,000
hours
@L70

Up to
110
lm/w

5
year
warranty

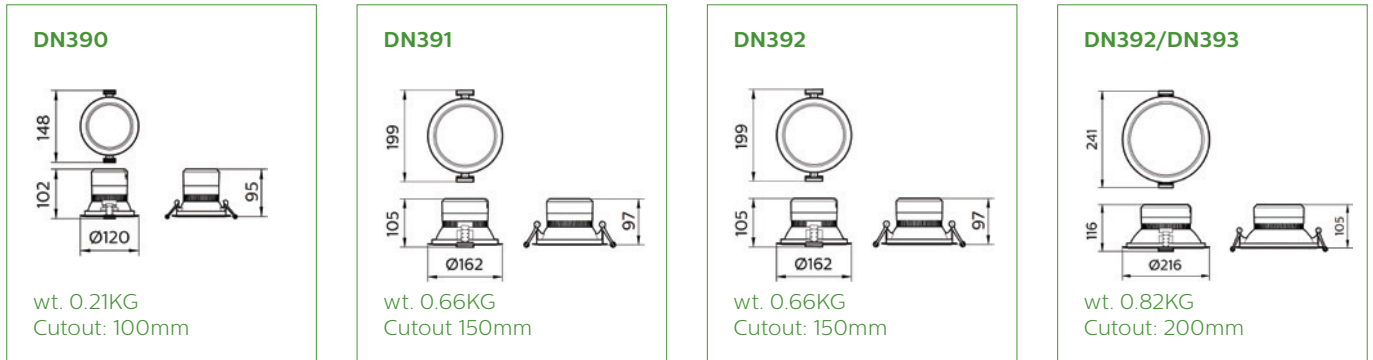
interact
ready.

www.clubblue.co.nz

Simple installation

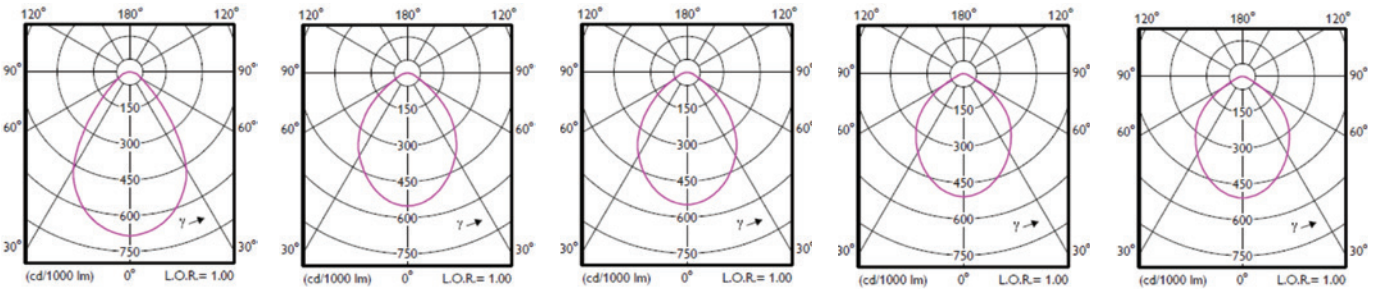
Installing the new CoreLine Downlight is as simple as ever. Standard spring-clip installation, three cut out sizes, 100, 150 and 200mm. Fitting comes complete with Flex and Plug.

Dimensions



Dimensions show above are nominal measurement. Slight variation in dimension may occur in production.

Polar intensity



**DN390B 600lm
WH D100**

**DN391B 1100lm
WH D150**

**DN392B 1600lm
WH D150**

**DN392B 1600lm
WH D200**

**DN393B 2200lm
WH D200**

Order codes for the CoreLine Downlight

CoreLine Downlight

Specification	Part Number	Shortcode
6W, 600lm, 4000K, 100mm cut-out	911401541361	DN390B LED6/840 PSU D100 WH CAU CL DN39B684P100WF
10W, 1100lm, 4000K, 150mm cut-out	911401541461	DN391B LED11/840 PSU D150 WH CAU CL DN39B1184P15WF
15W, 1600lm, 4000K, 150mm cut-out	911401542361	DN392B LED16/840 PSU D150 WH CAU CL DN39B1684P15WF
15W, 1600lm, 4000K, IP54, 150mm cut-out	911401542461	DN392B LED16/840 PSU D150 WH WP CAU CL DN39B1684P15WPF
15W, 1600lm, 4000K, 200mm cut-out	911401541561	DN392B LED16/840 PSU D200 WH CAU CL DN39B1684P20WF
19W, 2200lm, 4000K, 200mm cut-out	911401541661	DN393B LED22/840 PSU D200 WH CAU CL DN39B1684P220WF
19W, 2200lm, 4000K, IP54, 200mm cut-out	911401541761	DN393B LED22/840 PSU D200 WH WP CAU CL DN39B1684P22WWF

CoreLine Downlight Interact Ready

Specification	Part Number	Shortcode
19W, 2200lm, 4000K, 200mm cut-out, IAR	911401570641	DN393B LED22/840 IAR WH CAU DN39B1684I220WF

*Note: All the above options come with White reflector and Flex and Plug, Other options available on request.

