

# PHILIPS

CoreLine  
Highbay IP65



Innovative



Easy to install



High quality

REAL  
PROs  
REAL  
QUALITY

## Instant frustration or easy installation?

### Real professionals count on the new **Philips CoreLine Highbay IP65.**

Designed as a replacement for conventional 250 or 400W metal halide luminaires. It comes complete with a Flex and Plug and single point suspension, making connection quick and easy to install. The Highbay also features a new round dedicated optic, providing a softer more natural light.

#### Key Features and Benefits

- ✓ Strong energy saving credentials – system efficacy @135lm/W.
- ✓ Round exit window design - for easy alignment when installing multiple highbays in a row.
- ✓ Excellent glare control for narrow beam with an additional reflector.
- ✓ High quality aluminium die cast heatsink ensuring a long life in harsh environments.



#### Applications

- ✓ Warehouses
- ✓ Distribution centres
- ✓ General manufacturing areas
- ✓ Exhibition halls
- ✓ High ceiling applications

50,000  
hours  
@L70

Up to  
**135**  
lm/w

**IP65**

**IK08**

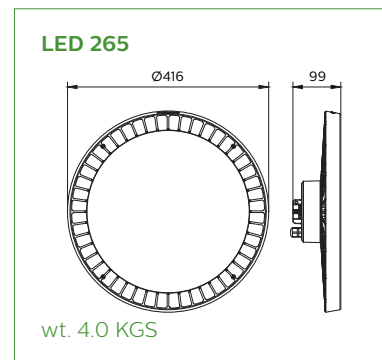
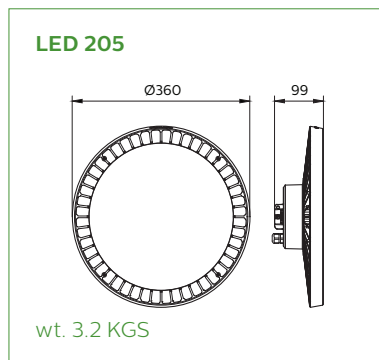
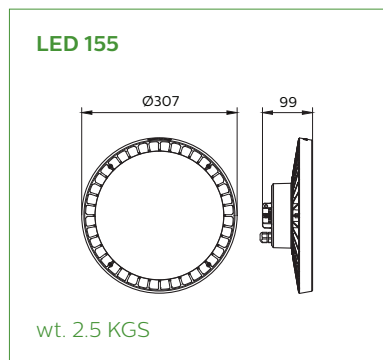
**5**  
year  
warranty

[www.clubblue.co.nz](http://www.clubblue.co.nz)

## Simple installation and different mounting options

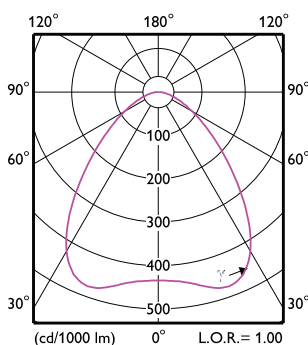
Installing the new CoreLine Highbay IP65 is as simple as ever and can be done three ways: hook mounting, pipe mounting and bracket mounting.

### Dimensions

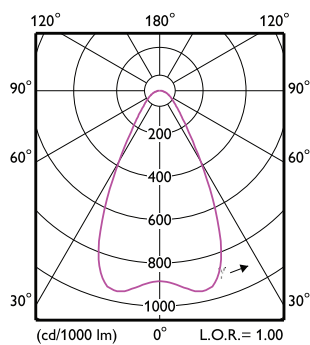


Dimensions shown above are nominal measurement. Slight variation in dimension may occur in production.

### Polar intensity



**Wide Beam**



**Narrow Beam**  
(available on request)

### Order codes for the CoreLine Highbay IP65

Specification	Part Number	Shortcode
115W, 15500lm, 4000K	911401518661 BY698P LED155/840 PSU WB CAU G2 CL	BY698P1584PWF
115W, 15500lm, 5000K	911401518961 BY698P LED155/850 PSU WB CAU G2 CL	BY698P1684PN3
149W, 20500lm, 4000K	911401518761 BY698P LED205/840 PSU WB CAU G2 CL	BY698P2084PWF
149W, 20500lm, 5000K	911401519061 BY698P LED205/850 PSU WB CAU G2 CL	BY698P2084DN3
192W, 26500lm, 4000K	911401518861 BY698P LED265/840 PSU WB CAU G2 CL	BY698P2084PIRN3
192W, 26500lm, 5000K	911401519161 BY698P LED265/850 PSU WB CAU G2 CL	BY698P2084PIRW3

\*Note: All the above options come with 3M Flex and Plug and a wide beam distribution. Other options available on request.

### Accessories

Specification	Part Number	Shortcode
Mounting Bracket	911401523461 BY698Z PSU MB G2	
Spare Hook	911401565101 MOUNTING HOOK_RR	

