

PHILIPS

CoreLine Troffer



Innovative



Easy to install



High quality

**REAL
PROs**
**REAL
QUALITY**

Fading light or leading light?



Real professionals count on the new **Philips CoreLine Troffer.**

Designed for retrofit projects replacing traditional fluorescent troffer packs, it features the latest in LED technology and offers high light quality and efficiency gains.

Key Features and Benefits

- ✓ 60% more energy-efficient compared to conventional troffer packs.
- ✓ Available in recessed, suspended and surface mounting options, ensuring consistent look and feel.
- ✓ Slim design with overall height of less than 46mm.
- ✓ Options available for Interact Pro connected lighting system.



Applications

- ✓ Offices
- ✓ Schools
- ✓ Meeting rooms
- ✓ Hallways & corridors

50,000
hours
@L70

Up to
125
lm/w

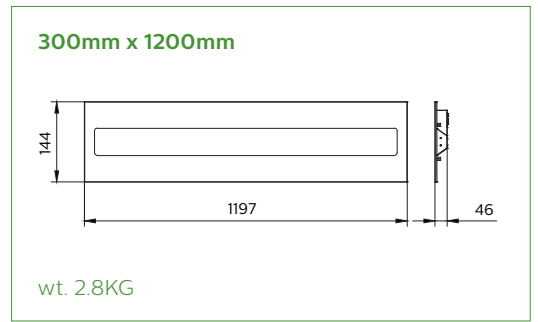
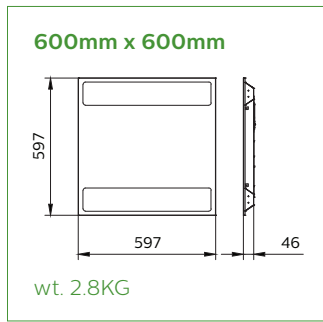
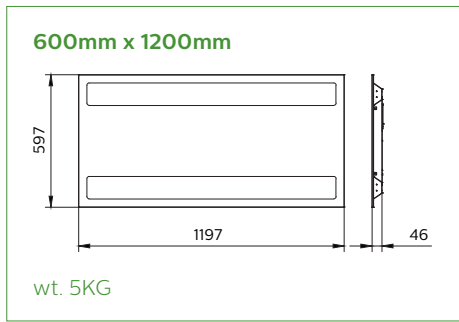
IP20

5
year
warranty

interact
ready.

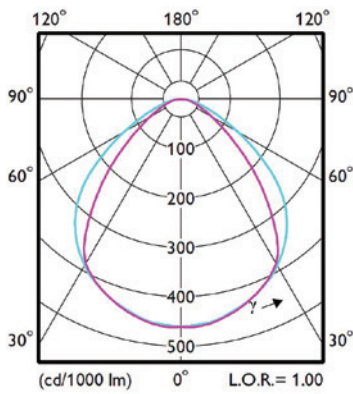
www.clubblue.co.nz

Dimensions

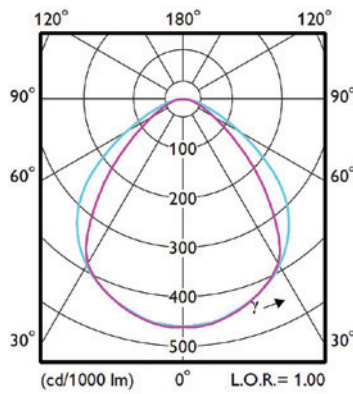


Dimensions shown above are nominal measurement. Slight variation in dimension may occur in production.

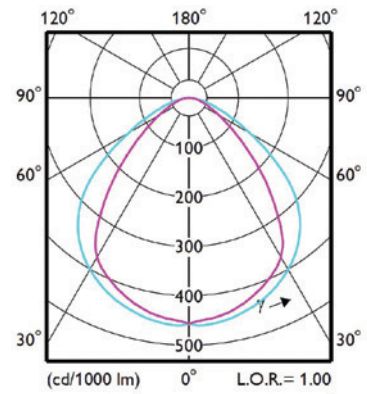
Polar intensity



600mm x 1200mm



600mm x 600mm



300mm x 1200mm

Order codes for the CoreLine Troffer

CoreLine Troffer

Specification	Part Number	Shortcode
32W, 3700lm, 4000K, 1200x300	911401540861 RC100B LED37S 840 W30L120 PSU CAU CL	RC10B3784312PNF
32W, 3700lm, 4000K, 600x600	911401540961 RC100B LED37S 840 W60L60 PSU CAU CL	RC10B378466PNF
32W, 3700lm, 4000K, 1200x600	911401541061 RC100B LED37S 840 W60L120 PSU CAU CL	RC10B3784612PNF

CoreLine Troffer Interact Ready

Specification	Part Number	Shortcode
32W, 3700lm, 4000K, 1200x300, IAR	911401543751 RC100X LED37S 840 W30L120 IAR CAU	RC10B3784312INF
32W, 3700lm, 4000K, 600x600, IAR	911401543651 RC100X LED37S 840 W60L60 IAR CAU	RC10B378466INF
32W, 3700lm, 4000K, 1200x600, IAR	911401543851 RC100X LED37S 840 W60L120 IAR CAU	RC10B3784612INF

*Note: All the above options come with Flex and Plug.

