

BRP390

Mounting instruction/ 安装说明

4441 000 07151



| Type | LEDs | Power/W | CCT/K | Weight/KG | L×W×H(mm) | Wind force area(m ²) | Voltage |
|-----------------|------|---------|--------------------|-----------|------------|----------------------------------|----------------------|
| 型号 | 颗粒 | 功率 | 色温 | 重量 | 长×宽×高 | 风压面积 | 电压 |
| BRP390 65LED140 | 65 | 60 | 3000/4000 /5700 | ≈3 | 402*156*85 | 0.06 | 220-240V~ 50/60Hz |
| BRP390 55LED140 | 55 | 50 | | | | | |
| BRP390 40LED140 | 40 | 37 | | | | | |



Caution

1. Switch off power before operation.

操作前请务必关闭电源。

2. The luminaire shall be installed by a qualified electrician and wired in accordance with the latest IEE electrical regulations or the national requirements .

灯具应由有资格的电工安装，接线要符合IEE 电气标准或国家标准。

3. The light source, electric components contained in this luminaire shall only be replaced by the manufacturer or a similar qualified person.

灯具内光源、电器件只能由制造商或其他有资格的专门人员进行更换。

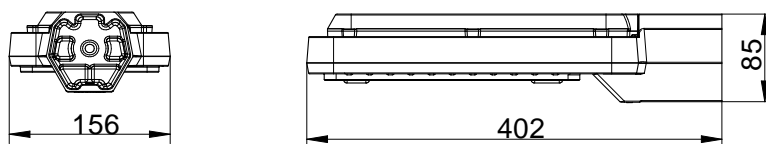
4. The luminaire should not be installed less than 6.7m and be stared at for long time.

灯具的安装位置应使其不会长时间在在小于6.7m的距离被盯着看。

5. It' s not appropriate to install luminaires on interface with normal combustibile material.

灯具不适宜直接安装在普通可燃材料表面。

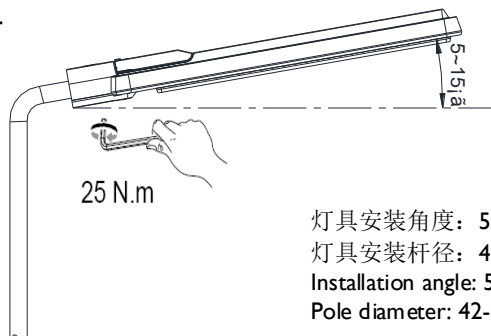
产品尺寸/Product Size



1

将灯具安装到灯杆上

Install the luminaire on the pole.



灯具安装角度: 5-15度

灯具安装杆径: 42-60mm

Installation angle: 5-15 degree

Pole diameter: 42-60mm

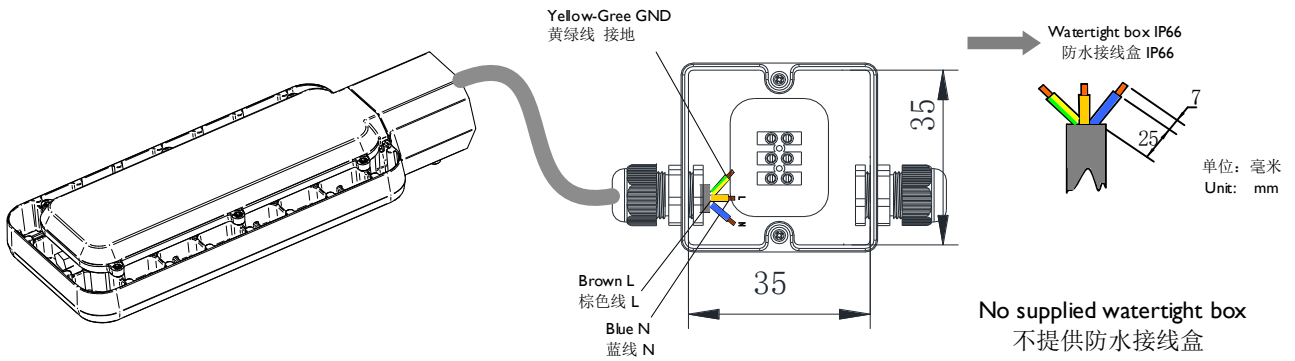
单位: 毫米

Unit: mm

2

Connect the power cord
接电源线

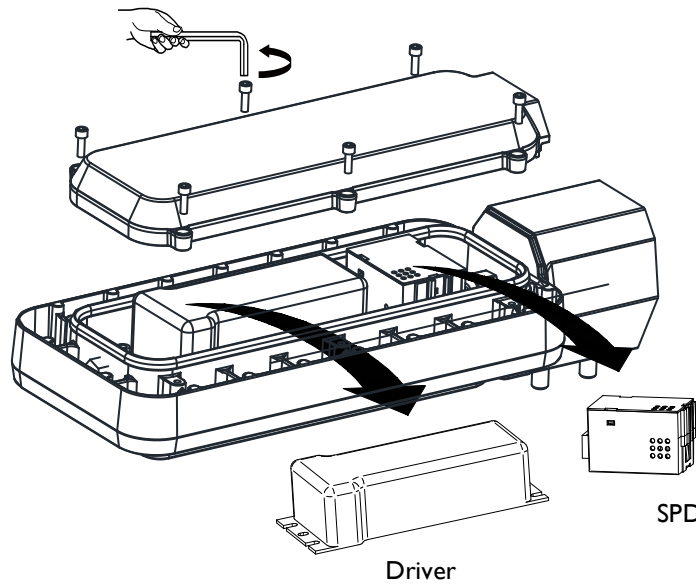
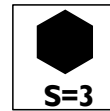
Watertight box IP66, the dimension value must be below the pole arm inner diameter value, to ensure it go through the pole arm.
防水接线盒IP66，尺寸必须比灯臂内径小，以确保接线盒能穿过灯臂。



3

Replace damage gear unit
更换损坏电器组件

M4 (6X)
2.5Nm



Need qualified person to replace the gear unit.
需要专业人士更换电器件。