

PHILIPS

Indoor Controls

InterAct Office

SR accessory controller



Project:	
Location:	
Cat. No:	
Type:	
Lamps:	Qty:
Notes:	

The Philips InterAct Office wireless remote sensor and controller is sold as an accessory. For a listing of indoor 0-10V luminaires that are compatible, please consult factory. This accessory can control multiple luminaires with a maximum total load of 400VA at 120V.

Ordering information

SRAINT InterAct SR accessory for 0-10V luminaires

Features

- Designed to control Philips 0-10V luminaires such as Calculate and LyteProfile.
- Provide ON/OFF control and granular dimming.
- Included occupancy sensing and daylight harvesting.

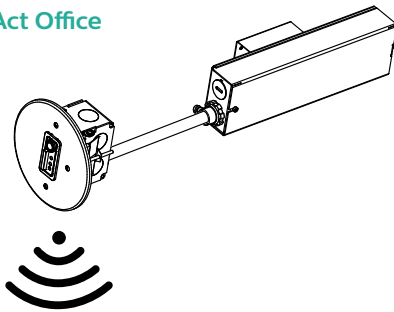
Benefits

- Improved overall installation ROI by controlling multiple luminaire fixtures with one system controller.
- Installation savings – everything integrated in one accessory.
- Minimal startup and configuration expertise – savings on labor time & effort
- Deep energy savings and code compliance strategies

Applications

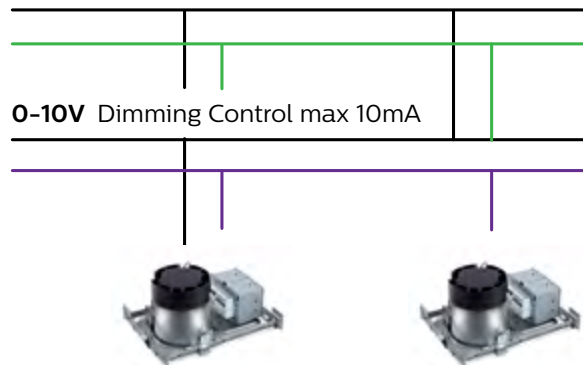
- Conference rooms
- Individual offices
- Open offices
- Classrooms
- Storage and break areas
- Restrooms
- Lobbies
- Stairways

InterAct Office



Zigbee Network

Power Switched mains: max 730VA



SRAINT InterAct SR

SR accessory controller

Specifications and Certifications

Construction

Sensor Box: 16 Ga. Galvanized steel housing. Collapsible wing brackets for mounting into ceiling material thicknesses up to 1.5 inches.

Controller Box: 18Ga. Galvanized steel housing. Mounts to standard T Bar Grid or to Luminaire mounting frame

Electrical information

Input Line Voltage 120-347VAC, +/-10%

Input Line Current Max. Load:
6.1A @ 120V, 6.1A @ 208V, 5.3A @ 240V,
4.6A @ 277V, 3.7A @ 347V

Line Frequency 50/60Hz
Power Reporting Accuracy $\pm 0.9W/\pm 4\%$
Dimming Profile Linear (default 1 – 8V); 0-10V
Max sinking/sourcing current: 10mA programmable

Environment and Approbation

Operating Ambient Temp. Range: 0°C to 55°C
Operating Humidity: 0 – 95% non-condensing
Storage Temperature: -25°C to 85°C
Storage Humidity: 0-95% non-condensing
Agency Approbations: UL, CSA
(tested and approved for use in plenums)

Compatible luminaires

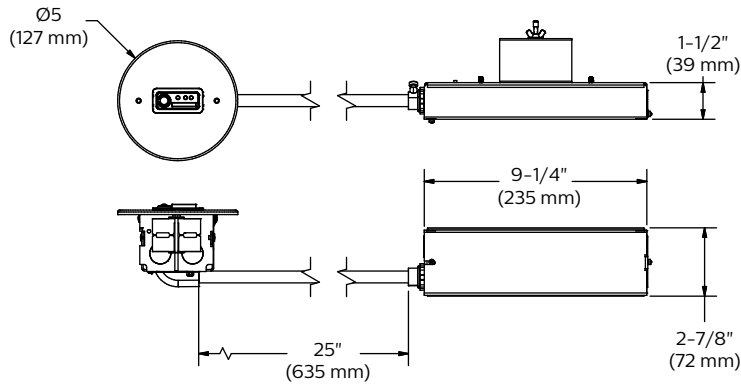
Lightolier Calculte series 0-10V LED luminaires
Lightolier LyteProfile series 0-10V LED luminaires
Refer to www.philips.com for details.

Note: There are also other Philips luminaires with 0-10V options that are compatible, consult factory for more info.

Warranty

Warranty 5 years

Dimensions



Wiring

