



# Luminaire Flat Downlight



4-pack!

Project: \_\_\_\_\_  
 Location: \_\_\_\_\_  
 Cat.No: \_\_\_\_\_  
 Type: \_\_\_\_\_  
 Lamps: \_\_\_\_\_ Qty: \_\_\_\_\_  
 Notes: \_\_\_\_\_

## Product offering

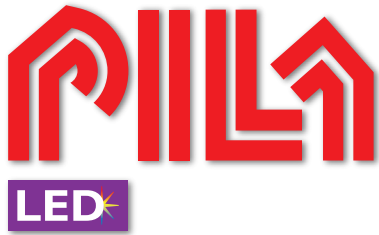
Catalog Code	Description	UPC Code	Qty. per SKU	Case Qty. (SKU/case)	Pallet Qty (SKU/pallet)
PILADISC4R30K	Disc light 4" Round 700lm 80 30K 120V DIM 4-Pack	046677600044	4	6	144
PILADISC6R30K	Disc light 6" Round 900lm 80 30K 120V DIM 4-Pack	046677600051	4	6	96

## Technical specifications

<b>Nominal power</b>	4": 11W; 6": 13.5W	<b>Electronic power supply</b>	RoHS compliant.* Isolated driver, grounding. Class 2 power unit. Remote power supply can only accommodate one LED module and cannot be shared with other LED module. Fixture can be through wired.
<b>Nominal lumens</b>	4": 700lm; 6": 900lm		
<b>Input voltage</b>	120VAC	<b>Dimming</b>	Compatible for ELV/TRIAC (120V) dimmers. Philips SR150LED120 TRIAC (100%-1%) Leviton IPI06 TRIAC (100%-1%) Leviton 6615P ELV (100%-5%) Lutron DVELV-300P ELV(100%-1%) Lutron NLV1000 TRIAC (100-1%) Lutron PD-6WCL Wireless (100-1%)
<b>CCT</b>	4": 3000K 6": 3000K		
<b>CRI</b>	80	<b>Safety class</b>	UL certified
<b>Power connection</b>	Locking power connection is used to connect J-box and fixture. Standard length of the connection is 11-4/5" (300mm). Extension cable available as accessory.	<b>IP rating</b>	UL03 – Wet location
<b>Material and finishing</b>	Flange: aluminum alloy, powder coated in white (RAL9003) Lens: hard acrylic material with diffused light pattern.	<b>Compliance</b>	cULus listed (UL 1598) for wet locations (covered ceiling only). IC rated for direct contact with thermal insulation. AirSeal for minimal air leakage.
<b>Weights</b>	4": 0.99lbs.; 6": 1.35lbs.	<b>Warranty</b>	3-year limited warranty
<b>Ceiling cutout</b>	4": 4 1/3" (110mm) diameter 6": 6 2/9" (158mm) diameter		

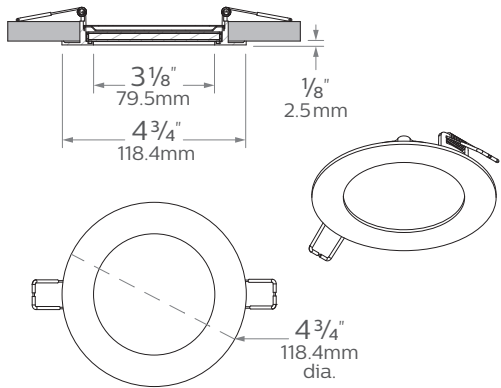
\* Restrictions on Hazardous Substances (RoHS) is a European directive (2002/95/EC) designed to limit the content of 6 substances [lead, mercury, cadmium, hexavalent chromium, polybrominated biphenyls (PBB), and polybrominated diphenyl ethers (PBDE)] in electrical and electronic products. For products used in North America compliance to RoHS is voluntary and self-certified.



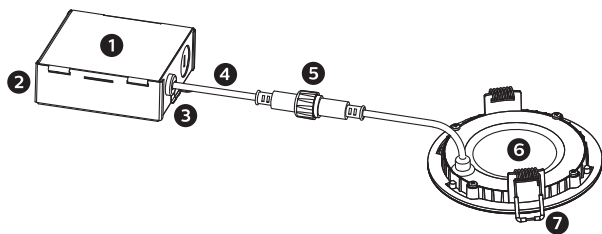
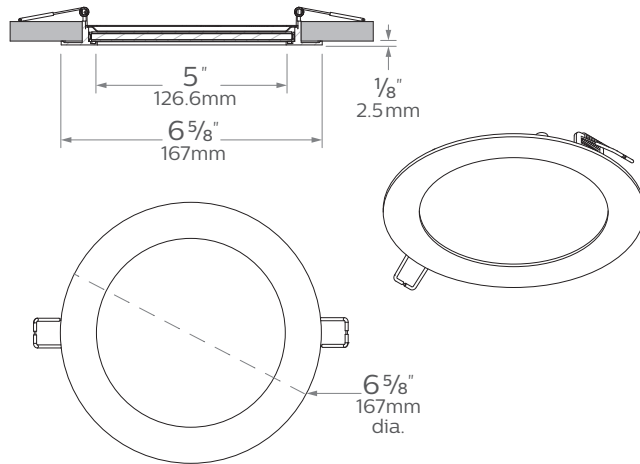


## Dimensions

Flat Downlight 4"



Flat Downlight 6"



## Components

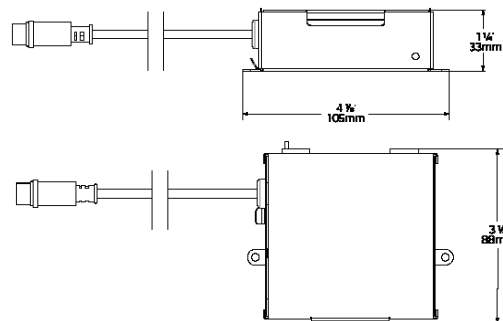
1. Electrical Box with knockouts
2. Mounting keyhole
3. Remodel NEC\* clip
4. 11.8" (0.3m) cord
5. Locking power connector
6. Integrated LED Luminaire
7. Spring clip for easy mounting

\* National Electric Code

## Frame plate

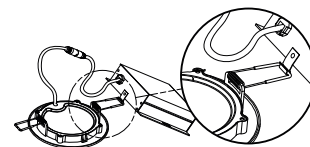
Compatible with	Part Number(s)
New construction plate	FDRN
Extension cable	FD06C, FD20C

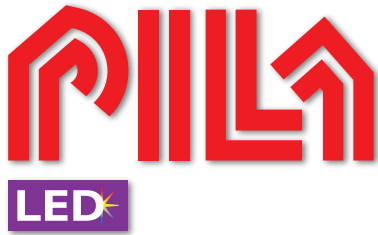
## Junction box



## Remodeler applications:

attach junction box clip to installation spring to assure NEC compliance.

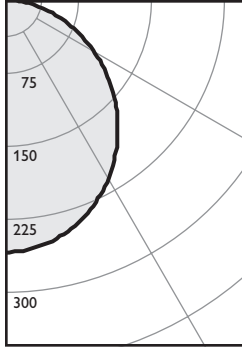




## Photometry

### 4-inch, 700lm, 80 CRI, 120V-3000K

Candela Curve



Fixture: **PILADISC4R30K**

Output lumens: 700 lms  
 Input watts: 11 W  
 CRI: 80 min  
 CCT!: 3000K  
 Spacing Crit.: 1.2

Zonal summary

Zone	Lumens	%Luminaire
0-30	198	28.3%
0-40	320	45.7%
0-60	555	79.3%
0-90	700	100.0%

Angle	Mean CP	Lumens
0	259	
5	258	24
10	254	
15	246	69
20	237	
25	225	104
30	212	
35	196	123
40	179	
45	161	125
50	143	
55	124	111
60	104	
65	84	83
70	65	
75	46	49
80	28	
85	11	12
90	0	

Single unit data

Height to lighted plane	Initial center beam foot-candles	Beam diameter (ft)*
5'	10	6.0'
6'	7	7.2'
7'	5	8.4'
8'	4	9.6'
9'	3	10.8'

\* Beam diameter is where foot-candles drop to 50% of maximum.

Multiple unit data - RCR 2

Spacing on center	Initial center beam foot-candles	Watts per sq. ft.
5'	28.0	0.49
6'	19.0	0.32
7'	13.0	0.23
8'	11.0	0.19
9'	9.0	0.15

38' x 38' x 10' Room, Workplane 2.5' above floor, 80/50/20% Reflectances

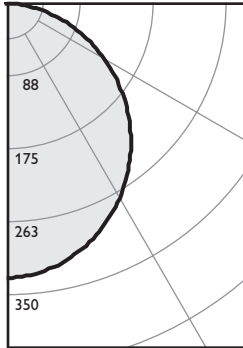
Efficacy: **63.6 lm/w**  
 Report#: 9290022700

Coefficients of utilization

Ceiling	80%				70%		50%		30%		0%	
	70	50	30	10	50	10	50	10	50	10	0	
Wall	Zonal cavity method - Effective floor reflectance = 20%											
RCR	Zonal cavity method - Effective floor reflectance = 20%											
Room Cavity Ratio	0	119	119	119	119	116	116	111	111	106	106	100
	1	109	104	99	95	101	94	97	91	93	88	83
	2	99	90	83	77	88	76	85	75	81	73	69
	3	90	79	71	64	77	63	74	62	72	61	58
	4	82	70	61	54	69	54	66	53	64	52	49
	5	75	62	53	47	61	46	59	46	57	45	43
	6	70	56	47	41	55	40	53	40	52	40	37
	7	65	51	42	36	50	36	48	35	47	35	33
	8	60	46	38	32	46	32	44	32	43	31	29
	9	56	43	34	29	42	29	41	28	40	28	26
	10	53	39	31	26	39	26	38	26	37	26	24

### 6-inch, 900lm, 80 CRI, 120V-3000K

Candela Curve



Fixture: **PILADISC6R30K**

Output lumens: 900 lms  
 Input watts: 13 W  
 CRI: 80 min  
 CCT!: 3000K  
 Spacing Crit.: 1.2

Zonal summary

Zone	Lumens	%Luminaire
0-30	251	27.9%
0-40	408	45.3%
0-60	712	79.1%
0-90	900	100.0%

Angle	Mean CP	Lumens
0	330	
5	327	28
10	321	
15	313	80
20	301	
25	287	122
30	270	
35	251	147
40	230	
45	208	121
50	185	
55	160	68
60	135	
65	110	40
70	85	
75	60	23
80	36	
85	9	6
90	0	

Single unit data

Height to lighted plane	Initial center beam foot-candles	Beam diameter (ft)*
5'	13	6.0'
6'	9	7.2'
7'	7	8.4'
8'	5	9.6'
9'	4	10.8'

\* Beam diameter is where foot-candles drop to 50% of maximum.

Multiple unit data - RCR 2

Spacing on center	Initial center beam foot-candles	Watts per sq. ft.
5'	36.0	0.58
6'	24.0	0.38
7'	17.0	0.27
8'	14.0	0.23
9'	11.0	0.18

38' x 38' x 10' Room, Workplane 2.5' above floor, 80/50/20% Reflectances

Efficacy: **69.2 lm/w**  
 Report#: 9290022706

Coefficients of utilization

Ceiling	80%				70%		50%		30%		0%	
	70	50	30	10	50	10	50	10	50	10	0	
Wall	Zonal cavity method - Effective floor reflectance = 20%											
RCR	Zonal cavity method - Effective floor reflectance = 20%											
Room Cavity Ratio	0	119	119	119	119	116	116	111	111	106	106	100
	1	109	104	99	95	101	94	97	91	93	88	83
	2	99	90	83	77	88	76	85	75	81	73	69
	3	90	79	71	64	77	63	74	62	72	61	58
	4	82	70	61	54	69	54	66	53	64	52	49
	5	75	62	53	47	61	46	59	46	57	45	43
	6	70	56	47	41	55	40	53	40	52	40	37
	7	65	51	42	36	50	36	48	35	47	35	33
	8	60	46	38	32	46	32	44	32	43	31	29
	9	56	43	34	29	42	29	41	28	40	28	26
	10	53	39	31	26	39	26	38	26	37	26	24

1. Correlated Color Temperature within specs as defined in ANSI\_NEMA\_ANSI C78.377-2008: Specifications for the Chromaticity of Solid State Lighting Products.  
 2. Tested using absolute photometry as specified in LM79: IESNA Approved Method for the Electrical and Photometric Measurements of Solid-State Lighting Products.