

**PHILIPS**

CoreLine Family



Innovative



Easy to install



High quality

**REAL  
PROs  
REAL  
QUALITY**

# In a state or state-of-the-art?

Real professionals choose **Philips CoreLine** products



**5**  
year  
warranty

**50,000**  
hours @L70

Over  
**125yrs**  
in lighting

Over  
**90yrs**  
in the  
Pacific

[www.philips.com/coreline](http://www.philips.com/coreline)

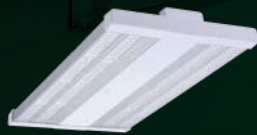
# Lower standards or raise the bar?

Smart installers never say 'no' to saving time and money – and with Philips CoreLine, they will never have to. The Coreline portfolio offers a full range of LED and connected lighting solutions that keep installation time to a minimum, while saving a maximum of energy. Whether old or new, optimal lighting can transform a building into something truly special, turning it into a place where people enjoy working and living. Give your customers that 'wow' moment with Philips CoreLine: the complete range of high quality lighting solutions that set the benchmark.

## CoreLine. The complete range



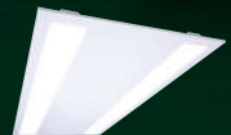
CoreLine  
Highbay IP65



CoreLine  
Highbay IP40



CoreLine  
Downlight



CoreLine  
Troffer



CoreLine  
Panel



CoreLine  
Batten



CoreLine  
Waterproof



CoreLine  
Floodlight

**REAL  
PROs**  
**REAL  
QUALITY**



## Innovative

With **Philips CoreLine** you get much more than high quality and easy-to-install lighting solutions – you get LED lighting that's setting **the pace** in the industry. That's why CoreLine luminaires are the first Interact Ready LED luminaires that work seamlessly with the **intuitive Interact Pro app and dashboard**. It has never been easier to bring the power of connected lighting to small and medium-sized enterprises.



## Easy-to-install

The efficient design of the CoreLine fixtures enables replacement of existing lights with **no need for expensive re-wiring or new ceiling configurations**.



## High quality

At the heart of CoreLine's **high-quality light** is LED technology. Lasting up to 50,000 hours @ L70, this **long lifetime** enables you to meet every demand and provide the best lighting solution for customers.



**5**  
year  
warranty

**50,000**  
hours @L70

Up to  
**140**  
lm/w

**Perfect  
for Trade  
Projects**

# Lighting the Pacific region for **over 90 years**

The Philips brand stands for quality and energy-efficiency in light. For over 125 years, Philips products have been at the forefront of innovation. As the world's leader in lighting, Philips is driving the switch to energy-efficient and connected lighting solutions.

The same principles have been at work here in **the Pacific for over 90 years**, where thousands of lighting solutions are installed across every sector.

Today, **Philips Lighting** is a familiar and trusted name in the industry - and just as the world of illumination is continually evolving, so we'll continue to provide the cutting-edge solutions needed to take the Pacific into the future.

**Sports**  
Optus Stadium Perth



**Façade**  
Viaduct Basin



**Street Lighting**  
Hamilton





# A heritage of taking light beyond illumination



1891-2014  
Conventional



2012  
Connected lighting



2018  
Lighting as a language  
(Analytics, LiFi)



2008  
Introduction of LED



2016  
IoT (systems)

Innovation continues



Office  
Watercare



Industry  
WineWorks



**REAL  
PROs**  
**REAL  
QUALITY**

## CoreLine Highbay IP65

# Instant frustration or easy installation?

## Real professionals count on the new **Philips CoreLine Highbay IP65.**

Designed as a replacement for conventional 250 or 400W metal halide luminaires, the IP65 highbay comes complete with a Flex and Plug and single point suspension, making installation and connection quick and easy. The Philips Coreline Highbay also features a new round dedicated optic, providing a softer more natural light.

### Key Features and Benefits

- ✓ Strong energy saving credentials – system efficacy @135lm/W.
- ✓ Round exit window design - for easy alignment when installing multiple highbays in a row.
- ✓ Excellent glare control for narrow beam with an additional reflector.
- ✓ High quality aluminium die cast heatsink ensuring a long life in harsh environments.



### Applications

- ✓ Warehouses
- ✓ Distribution centres
- ✓ General manufacturing areas
- ✓ Exhibition halls
- ✓ High ceiling applications

50,000  
hours  
@L70

Up to  
**135**  
lm/w

**IP65**

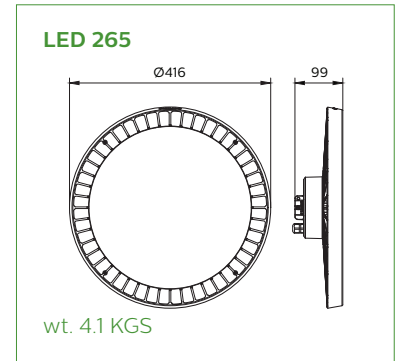
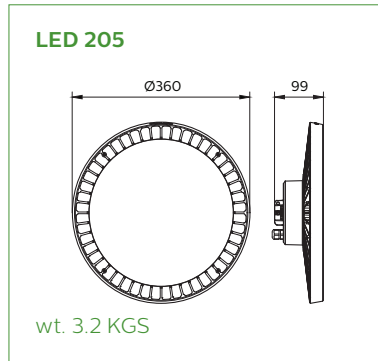
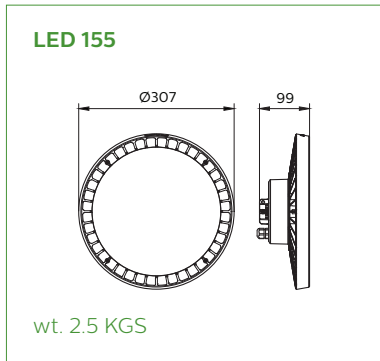
**IK08**

**5**  
year  
warranty

## Simple installation and different mounting options

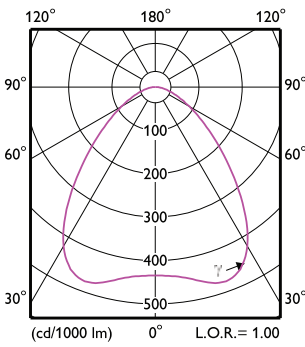
Installing the new CoreLine Highbay IP65 is really easy and can be done in three ways: hook mounting, pipe mounting and bracket mounting.

### Dimensions

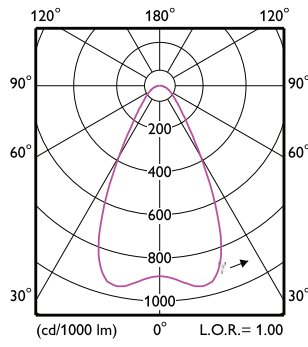


Dimensions shown above are nominal measurements. Slight variation in dimensions may occur in production.

### Polar intensity



**Wide Beam**



**Narrow Beam  
(available on request)**

### Order codes for the CoreLine Highbay IP65

| Specification        | Part Number                                     | Shortcode       |
|----------------------|---|-----------------|
| 115W, 15500lm, 4000K | 911401518661 BY698P LED155/840 PSU WB CAU G2 CL | BY698P1584PWF   |
| 115W, 15500lm, 5000K | 911401518961 BY698P LED155/850 PSU WB CAU G2 CL | BY698P1684PN3   |
| 149W, 20500lm, 4000K | 911401518761 BY698P LED205/840 PSU WB CAU G2 CL | BY698P2084PWF   |
| 149W, 20500lm, 5000K | 911401519061 BY698P LED205/850 PSU WB CAU G2 CL | BY698P2084DN3   |
| 192W, 26500lm, 4000K | 911401518861 BY698P LED265/840 PSU WB CAU G2 CL | BY698P2084PIRN3 |
| 192W, 26500lm, 5000K | 911401519161 BY698P LED265/850 PSU WB CAU G2 CL | BY698P2084PIRW3 |

\*Note: All the above options come with 3M Flex and Plug and a wide beam distribution. Other options available on request.

### Accessories

| Specification    | Part Number                   | Shortcode       |
|------------------|-------------------------------|-----------------|
| Mounting Bracket | 911401523461 BY698Z PSU MB G2 | BY698ZPSUMBG2   |
| Spare Hook       | 911401565101 MOUNTING HOOK_RR | BY698ZPSUHOOKG2 |

**REAL  
PROs**  
**REAL  
QUALITY**

## CoreLine Highbay IP40

# Low achiever or high performer?

## Real professionals count on the new **Philips CoreLine Highbay IP40.**

This replaces traditional Philips 400W metal halide and T5 highbays.

The IP40 CoreLine Highbay has an attractive high quality design with an assortment of different optics including a high rack option. With advanced options, such as a ZigBee Actilume wireless control, system energy savings can reach up to 88% when compared to traditional highbay luminaires.

### Key Features and Benefits

- ✓ System efficacy of up to 140lm/W offers up to 73% energy savings compared to traditional HID systems.
- ✓ Three different distributions to precisely illuminate space efficiently.
- ✓ Robust aluminium extrusion body and quality Xitanium drivers ensuring luminaire longevity.



### Applications

- ✓ Warehouses
- ✓ Distribution centres
- ✓ General high ceiling applications
- ✓ Factories
- ✓ Production lines
- ✓ Large format retail stores

65,000  
hours  
@L70

Up to  
**140**  
lm/w

**IP40**

**IK03**

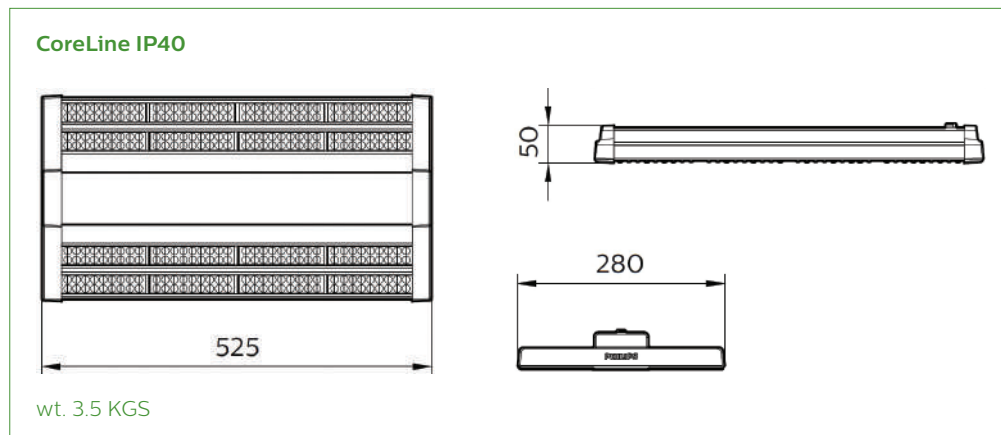
**5**  
year  
warranty



## Simple installation

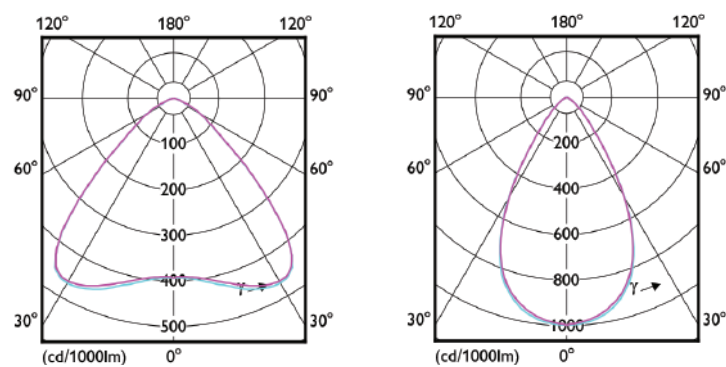
Installing the new CoreLine Highbay IP40 is really easy using the standard A frame hangers, which provide a self levelling two point installation.

## Dimensions



Dimensions shown above are nominal measurements. Slight variation in dimensions may occur in production.

## Polar intensity



Wide Beam

Narrow Beam

## Order codes for the CoreLine Highbay IP40

| Specification        | Part Number                                 | Shortcode      |
|----------------------|---|----------------|
| 153W, 21000lm, 4000K | 911401540661 BY560P LED210/NW PSU WB CAU CL | BY560P21084PWF |
| 153W, 21000lm, 6500K | 911401540761 BY560P LED210/NW PSU WB CAU CL | BY560P21086PWF |

\*Note: All the above options come with 3M Flex and Plug and a wide beam distribution. Other options available on request.

**REAL  
PROs**  
**REAL  
QUALITY**

# CoreLine Downlight Letdown or downlight?



## Real professionals count on the new **Philips CoreLine Downlight.**

This commercial LED downlight range combines light efficiency and comfort making it a perfect replacement for traditional compact fluorescent downlights.

The CoreLine Downlight is available in a wide range of lumen packages, sizes and two IP ratings to suit all applications.

### Key Features and Benefits

- ✓ IP20 or IP54, ensuring suitability for most environments.
- ✓ Two reflectors; high gloss white or aluminium.
- ✓ Multiple lumen outputs providing design flexibility.
- ✓ Options available for Interact Pro connected lighting system.



### Applications

- ✓ Offices
- ✓ Meeting rooms
- ✓ Shopping malls
- ✓ Hotels

50,000  
hours  
@L70

Up to  
**110**  
lm/w

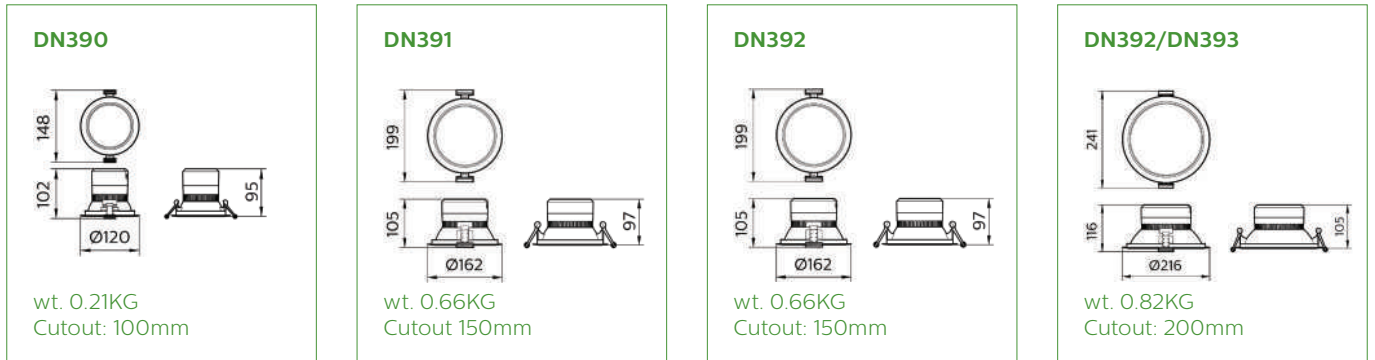
**5**  
year  
warranty

**interact**  
ready.

## Simple installation

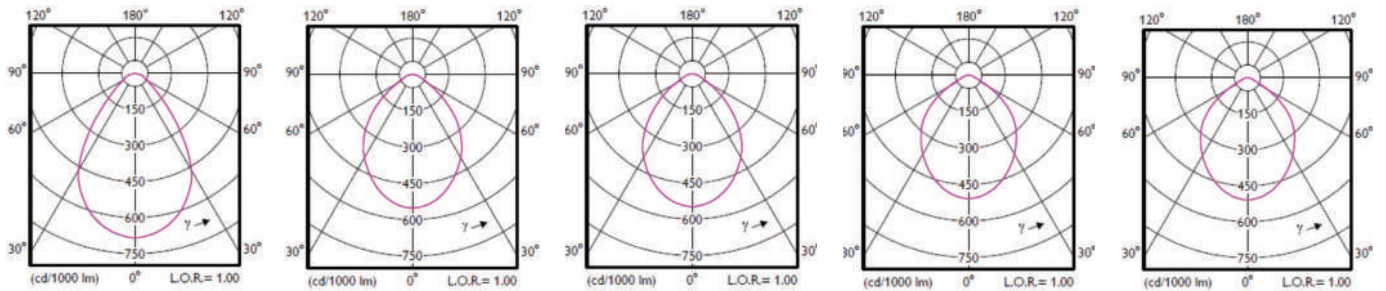
Installation of the new CoreLine Downlight is fast and simple. Standard spring-clip installation, three cut out sizes, 100, 150 and 200mm. Fitting comes complete with Flex and Plug.

## Dimensions



Dimensions show above are nominal measurements. Slight variation in dimensions may occur in production.

## Polar intensity



**DN390B 600lm**  
 WH D100

**DN391B 1100lm**  
 WH D150

**DN392B 1600lm**  
 WH D150

**DN392B 1600lm**  
 WH D200

**DN393B 2200lm**  
 WH D200

## Order codes for the CoreLine Downlight

### CoreLine Downlight

| Specification                           | Part Number  | Shortcode  |
|---|--------------|--|
| 6W, 600lm, 4000K, 100mm cut-out         | 911401541361 | DN390B LED6/840 PSU D100 WH CAU CL DN39B684P100WF      |
| 10W, 1100lm, 4000K, 150mm cut-out       | 911401541461 | DN391B LED11/840 PSU D150 WH CAU CL DN39B1184P15WF     |
| 15W, 1600lm, 4000K, 150mm cut-out       | 911401542361 | DN392B LED16/840 PSU D150 WH CAU CL DN39B1684P15WF     |
| 15W, 1600lm, 4000K, IP54, 150mm cut-out | 911401542461 | DN392B LED16/840 PSU D150 WH WP CAU CL DN39B1684P15WPF |
| 15W, 1600lm, 4000K, 200mm cut-out       | 911401541561 | DN392B LED16/840 PSU D200 WH CAU CL DN39B1684P20WF     |
| 19W, 2200lm, 4000K, 200mm cut-out       | 911401541661 | DN393B LED22/840 PSU D200 WH CAU CL DN39B1684P220WF    |
| 19W, 2200lm, 4000K, IP54, 200mm cut-out | 911401541761 | DN393B LED22/840 PSU D200 WH WP CAU CL DN39B1684P22WWF |

### CoreLine Downlight Interact Ready

| Specification                          | Part Number  | Shortcode                                   |
|--|--------------|---|
| 19W, 2200lm, 4000K, 200mm cut-out, IAR | 911401570641 | DN393B LED22/840 IAR WH CAU DN39B1684I220WF |

\*Note: All the above options come with White reflector and Flex and Plug. Other options available on request.

**REAL  
PROs**  
**REAL  
QUALITY**

## CoreLine Troffer

# Fading light or leading light?



Real professionals count on the new **Philips CoreLine Troffer**.

Designed for retrofit projects replacing traditional fluorescent troffer packs, it features the latest in LED technology and offers high light quality and efficiency gains.

### Key Features and Benefits

- ✓ 60% more energy-efficient compared to conventional troffer packs.
- ✓ Available in recessed, suspended and surface mounting options, ensuring consistent look and feel.
- ✓ Slim design with overall height of less than 46mm.
- ✓ Options available for Interact Pro connected lighting system.



### Applications

- ✓ Offices
- ✓ Schools
- ✓ Meeting rooms
- ✓ Hallways & corridors

50,000  
hours  
@L70

Up to  
**125**  
lm/w

**IP20**

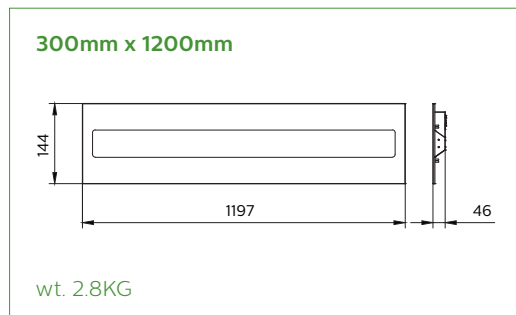
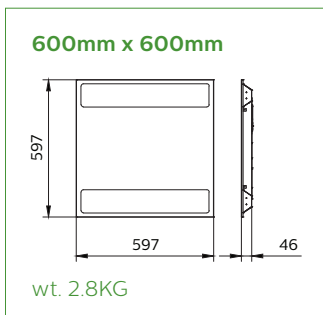
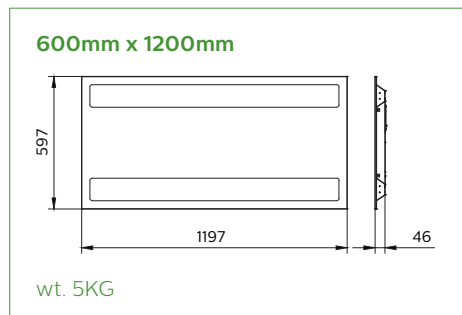
**5**  
year  
warranty

**interact**  
ready.

## Simple installation

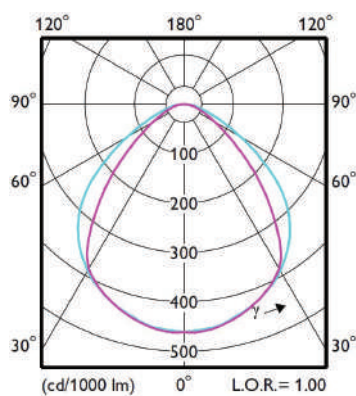
The installation of the recessed troffer is quick and simple, slotting into standard T rails systems. Comes complete with Flex and Plug.

## Dimensions

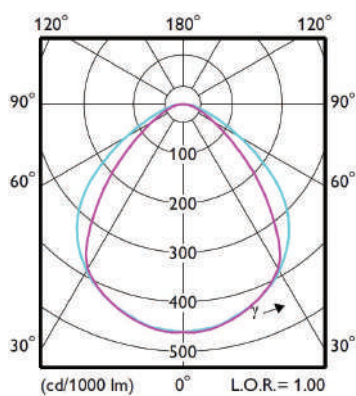


Dimensions shown above are nominal measurements. Slight variation in dimensions may occur in production.

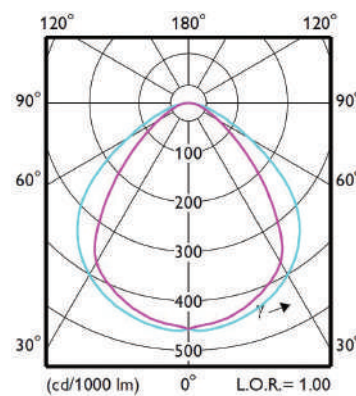
## Polar intensity



600mm x 1200mm



600mm x 600mm



300mm x 1200mm

## Order codes for the CoreLine Troffer

### CoreLine Troffer

| Specification                | Part Number                                       | Shortcode       |
|------------------------------|---|-----------------|
| 32W, 3700lm, 4000K, 1200x300 | 911401540861 RC100B LED37S 840 W30L120 PSU CAU CL | RC10B3784312PNF |
| 32W, 3700lm, 4000K, 600x600  | 911401540961 RC100B LED37S 840 W60L60 PSU CAU CL  | RC10B378466PNF  |
| 32W, 3700lm, 4000K, 1200x600 | 911401541061 RC100B LED37S 840 W60L120 PSU CAU CL | RC10B3784612PNF |

### CoreLine Troffer Interact Ready

| Specification                     | Part Number                                    | Shortcode       |
|-----------------------------------|--|-----------------|
| 32W, 3700lm, 4000K, 1200x300, IAR | 911401543751 RC100X LED37S 840 W30L120 IAR CAU | RC10B3784312INF |
| 32W, 3700lm, 4000K, 600x600, IAR  | 911401543651 RC100X LED37S 840 W60L60 IAR CAU  | RC10B378466INF  |
| 32W, 3700lm, 4000K, 1200x600, IAR | 911401543851 RC100X LED37S 840 W60L120 IAR CAU | RC10B3784612INF |

\*Note: All the above options come with Flex and Plug.

**REAL  
PROs**  
**REAL  
QUALITY**

## CoreLine Panel UGR19

# Panel rejection or panel perfection?

## Real professionals count on the new **Philips CoreLine Panel UGR19.**

Our slimmest panel is clearly the next step in recessed luminaires for the design and build market. It not only offers increased energy efficiency and excellent glare control, but is also visually appealing without being intrusive.

### Key Features and Benefits

- ✓ 60% more energy efficient compared to conventional TL solutions.
- ✓ UGR19 office compliant.
- ✓ Options available for Interact Pro connected lighting system.



### Applications

- ✓ Offices
- ✓ Schools
- ✓ Meeting rooms
- ✓ Lunch rooms
- ✓ Hallways & corridors

50,000  
hours  
@L70

Up to  
**110**  
lm/w

**IP20**

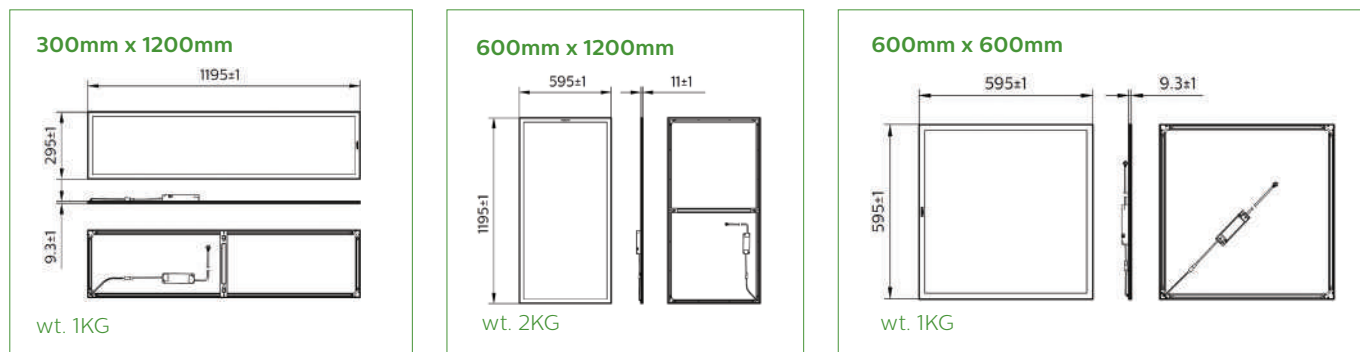
**5**  
year  
warranty

**interact**  
ready.

## Simple installation and different mounting options

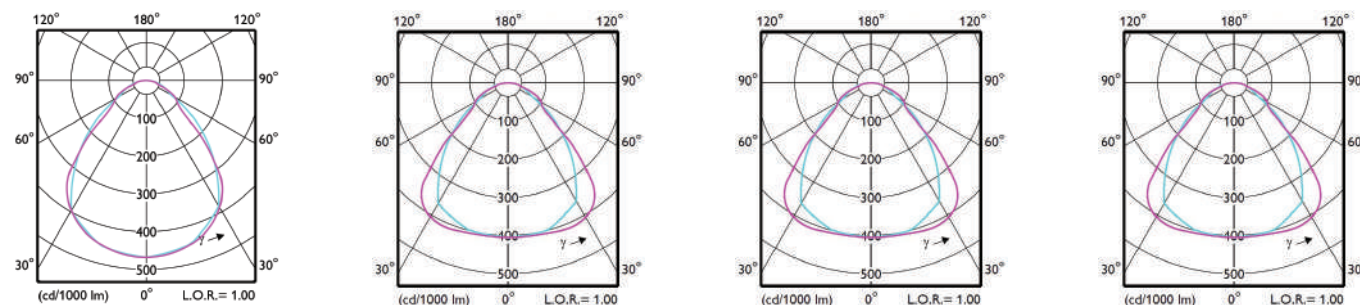
Simple and flexible installation: Comes with a plug-in connector for the driver and a Flex and Plug. Suitable for T-rail ceiling installations. For recessed and surface mounting in plaster ceilings, a proprietary kit is necessary.

### Dimensions



Dimensions shown above are nominal measurements. Slight variation in dimensions may occur in production.

### Polar intensity



LED40S 840 W30L120

LED40S 840 W60L60

LED40S 840 W60L120

LED60S 840 W60L120

## Order codes for the CoreLine Panel UGR19

### CoreLine Panel UGR19

| Specification                | Part Number                                       | Shortcode      |
|------------------------------|---|----------------|
| 36W, 4000lm, 4000K, 1200X300 | 911401761042 RC160V LED40S 840 W30L120 PSU OC CAU | RC16V484312POF |
| 36W, 4000lm, 4000K, 600X600  | 911401761052 RC160V LED40S 840 W60L60 PSU OC CAU  | RC16V48466POF  |
| 36W, 4000lm, 4000K, 1200X600 | 911401761062 RC160V LED40S 840 W60L120 PSU OC CAU | RC16V484612POF |
| 55W, 6000lm, 4000K, 1200X600 | 911401761072 RC160V LED60S 840 W60L120 PSU OC CAU | RC16V684612POF |

### CoreLine Panel UGR19 Interact Ready

| Specification                     | Part Number                                       | Shortcode      |
|-----------------------------------|---|----------------|
| 36W, 4000lm, 4000K, 1200X300, IAR | 911401755052 RC160X LED40S 840 W30L120 IAP OC CAU | RC16V484312IOF |
| 36W, 4000lm, 4000K, 600X600, IAR  | 911401755032 RC160X LED40S 840 W60L60 IAP OC CAU  | RC16V48466IOF  |
| 36W, 4000lm, 4000K, 1200X600, IAR | 911401767682 RC160X LED40S 840 W60L120 IAP OC CAU | RC16V84612IOF  |

\*Note: All the above options come with Flex and Plug.

**REAL  
PROs**  
**REAL  
QUALITY**

## CoreLine Batten

# Lower standards or raise the bar?

## Real professionals count on the new **Philips CoreLine Batten.**

These battens deliver superior performance, output and energy efficiency in an affordable package. The Philips Coreline batten is the perfect retrofit solution for conventional battens.

With a wide base and no visible mounting brackets, replacement of existing installations has never been easier.

### Key Features and Benefits

- ✓ Excellent replacement for T8 and older battens.
- ✓ Surface mount with no visible brackets.
- ✓ Emergency options available (AS2293 compliant).



### Applications

- ✓ Warehouses
- ✓ Retail
- ✓ Stairwells
- ✓ General industrial applications

50,000  
hours  
@L70

Up to  
**100**  
lm/w

**IP20**

**IK04**

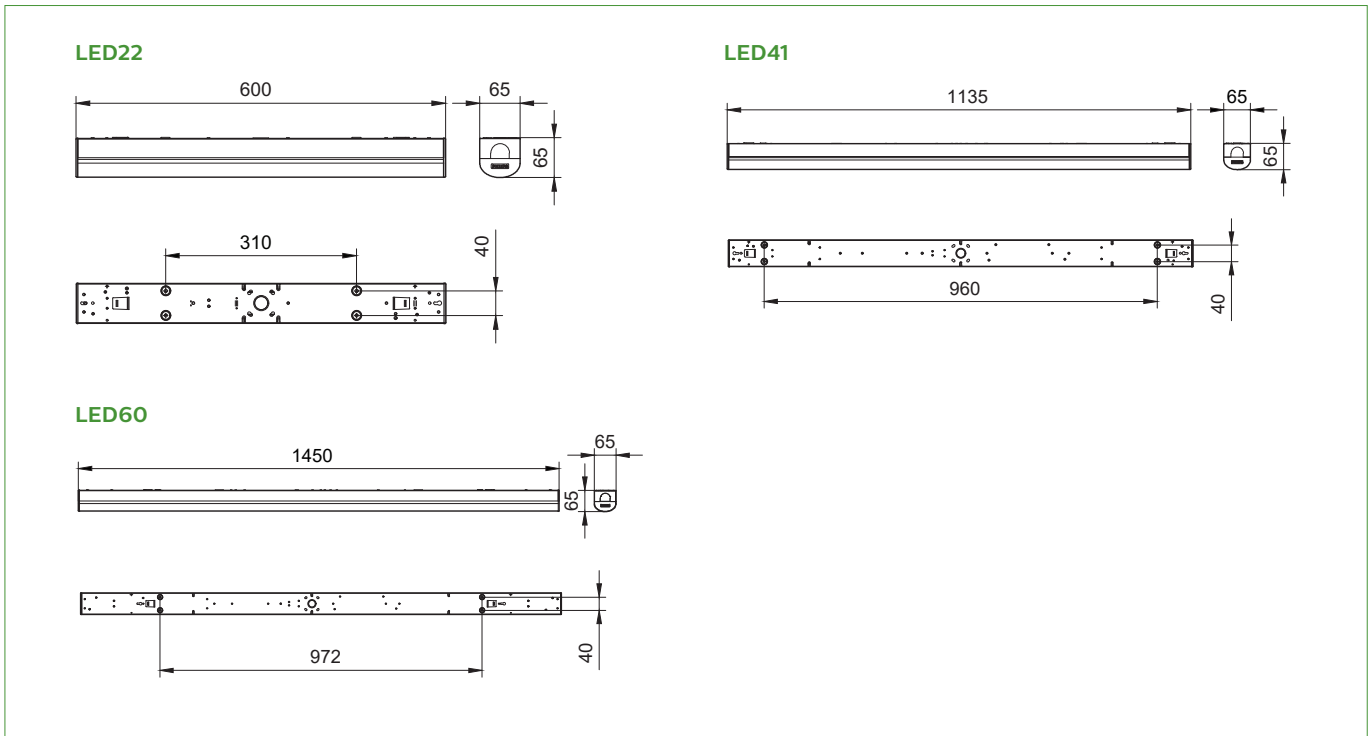
**5**  
year  
warranty



## Simple installation

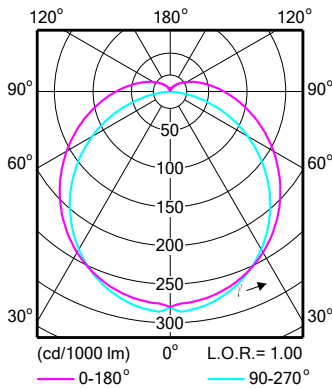
Fast and easy installation is assured with features such as large terminal block, central feed and multiple knock outs for through wiring.

## Dimensions



Dimensions shown above are nominal measurements. Slight variation in dimensions may occur in production.

## Polar intensity



## Order codes for the CoreLine Batten

| Specification              | Part Number  | Description                 | Shortcode      |
|----------------------------|--------------|-----------------------------|----------------|
| 21W, 2200lm, 4000K, 600mm  | 911401898780 | BN126C LED22S/840 PSU L600  | BN12622L8402FT |
| 21W, 2200lm, 6500K, 600mm  | 911401898880 | BN126C LED22S/865 PSU L600  | BN12622L8652FT |
| 38W, 4100lm, 4000K, 1200mm | 911401898980 | BN126C LED41S/840 PSU L1200 | BN12641L8404FT |
| 38W, 4100lm, 6500K, 1200mm | 911401899080 | BN126C LED41S/865 PSU L1200 | BN12641L8654FT |
| 56W, 6000lm, 4000K, 1500mm | 911401899180 | BN126C LED60S/840 PSU L1500 | BN12660L8405FT |
| 56W, 6000lm, 6500K, 1500mm | 911401899280 | BN126C LED60S/865 PSU L1500 | BN12660L8655FT |

\*Note: Emergency options also available on request.

**REAL  
PROs**  
**REAL  
QUALITY**

## CoreLine Widebody Waterproof Batten

# Soggy mess or waterproof success?

### Real professionals count on the new **Philips CoreLine Widebody Waterproof Batten.**

It's the ideal retrofit solution for conventional waterproof fittings. With a wider base, sturdy and robust finish, multiple knock-outs and the ability for through wiring, installation is hassle-free and simple.

#### Key Features and Benefits

- ✓ Wide base for direct replacement of T8 luminaires.
- ✓ Emergency options available (AS2293 compliant).



#### Applications

- ✓ Warehouses
- ✓ Wet areas
- ✓ Carparks
- ✓ Factories

50,000  
hours  
@L70

IP65

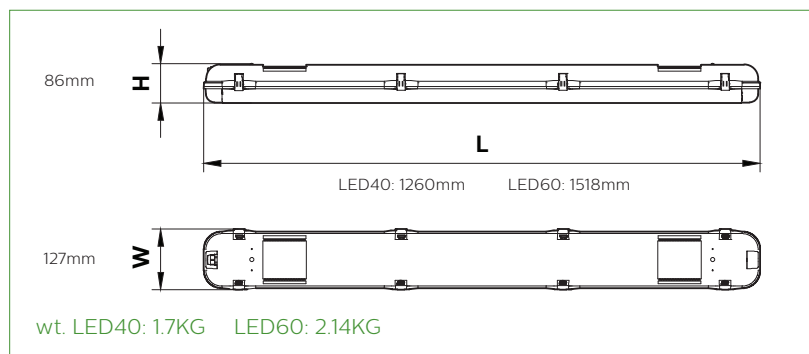
IK08

5  
year  
warranty

## Simple installation

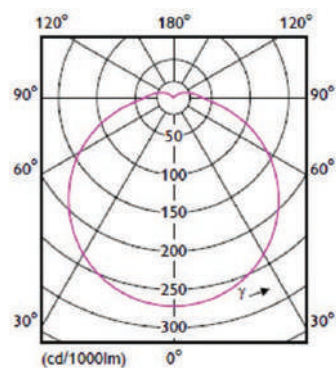
Speed and ease of installation is taken care of with features such as large terminal block, central feed and knock-outs for through wiring.

## Dimensions

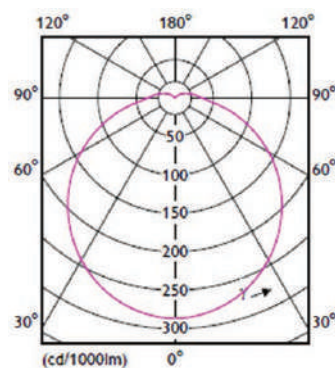


Dimensions shown above are nominal measurements. Slight variation in dimensions may occur in production.

## Polar intensity



LED40



LED60

## Order codes for the CoreLine Widebody Waterproof Batten

| Specification                     | Part Number  | Shortcode                             |
|-----------------------------------|--------------|---------------------------------------|
| 40W, 4000lm, 4000K, 1,200mm, IP65 | 911401761162 | WT008C L1200 NW 4000lm NZ CL WT81284P |
| 40W, 4000lm, 6500K, 1,200mm, IP65 | 911401761172 | WT008C L1200 CW 4000lm NZ CL WT81286P |
| 60W, 6000lm, 4000K, 1,500mm, IP65 | 911401761202 | WT008C L1500 NW 6000lm NZ CL WT81584P |
| 60W, 6000lm, 6500K, 1,500mm, IP65 | 911401761212 | WT008C L1500 CW 6000lm NZ CL WT81586P |

\*Note: Emergency options available on request.

REAL  
PROs  
REAL  
QUALITY

# CoreLine Waterproof Batten

## Cheap deal or waterproof seal?

### Real professionals count on the new **Philips CoreLine Waterproof Batten**.

The new CoreLine Waterproof Batten builds on the reputation of the current model – offering higher performance and a wider range of options, making it the perfect choice for almost any environment. New features include an exceptional 140 lumens per watt, multiple optical options and higher lumen packages.

#### Key Features and Benefits

- ✓ Two optic choices: Wide Beam (Prismatic) for superior glare control; Lambertian (Opal) for general lighting applications.
- ✓ Control options featuring DALI and Interact Pro for greater active energy efficiency and control.
- ✓ High lumen output options available on request (up to 8000 lumens) for higher or elevated ceilings.
- ✓ Easy to open housing – driver replaceable
- ✓ Emergency options available (AS2293 compliant).



#### Applications

- ✓ Warehouses
- ✓ Wet areas
- ✓ Carparks
- ✓ Factories
- ✓ Cool stores

50,000  
hours  
@L70

Up to  
**140**  
lm/w

**IP65**

**IK08**

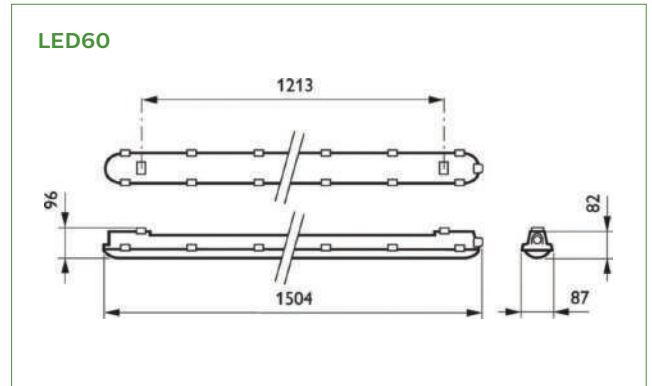
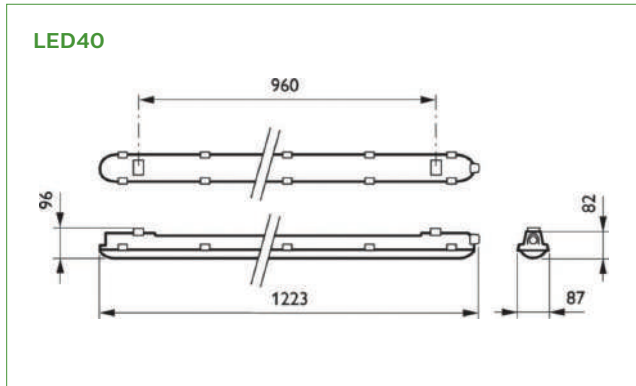
**5**  
year  
warranty

**interact**  
ready.

## Simple installation

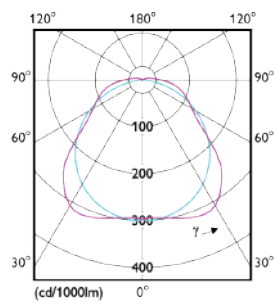
Hassle free installation is made possible with features such as a large loop in/out terminal block, plus central and end knock-outs making it suitable for any configuration. In addition to the standard surface mount installation, the CoreLine Waterproof can also be suspended, using the supplied kit as standard.

## Dimensions

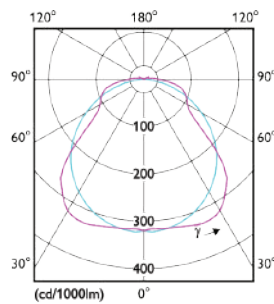


Dimensions shown above are nominal measurements. Slight variation in dimensions may occur in production.

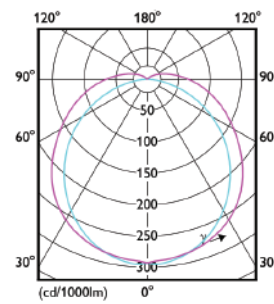
## Polar intensity



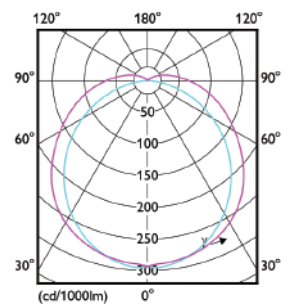
LED40 Wide beam, Standard Option



LED60 Wide beam, Standard Option



LED37 Lambertian Optic available on request



LED57 Lambertian Optic available on request

## Order codes for the CoreLine Waterproof Batten

### CoreLine Waterproof Batten

| Specification                 | Part Number                                | Shortcode   |
|-------------------------------|--|-------------|
| 21W, 1900lm, 4000K, 2ft, IP65 | 911401552461 WT198C LED19S/840 PSU L600 CL | WT191984P6  |
| 29W, 4000lm, 4000K, 4ft, IP65 | 911401552261 WT198C LED40S/840 PSU L1200   | WT194084P12 |
| 43W, 6000lm, 4000K, 5ft, IP65 | 911401552361 WT198C LED60S/840 PSU L1500   | WT196084P15 |

\*Note: 8000 lumen variants available on request.

### CoreLine Waterproof Batten Inteact Ready

| Specification                      | Part Number                              | Shortcode   |
|------------------------------------|--|-------------|
| 37W, 4100lm, 4000K, 4ft, IP65, IAR | 910500465266 WT120C LED40S/840 IA1 L1200 | WT194084I12 |
| 50W, 6000lm, 4000K, 5ft, IP65, IAR | 910500465267 WT120C LED60S/840 IA1 L1500 | WT196084I15 |

\*Note: Other options available on request, including DALI, Interact Pro and Lambertian optic (wide beam as standard).

**REAL  
PROs**  
**REAL  
QUALITY**

# CoreLine Floodlight Fizzles out or shines on?

## Real professionals count on the new **Philips CoreLine Floodlight.**

Building on the established Tango reputation, this is the perfect solution for a wide range of area lighting applications replacing traditional HID floodlights.

Incorporating integrated heat sink and driver into one compact and robust housing makes it suitable for a wide range of environments.

### Key Features and Benefits

- ✓ Up to 50% energy savings compared to conventional floodlights.
- ✓ Supplied standard with symmetric wide beam optic. Other options and wattages are available to suit most applications.
- ✓ 15KV/KA surge protection, non-corrosive die-cast aluminum housing and galvanised bracket make it ideal for harsh environments.



### Applications

- ✓ Area lighting
- ✓ Industrial areas
- ✓ Facades and billboards
- ✓ Parking lots
- ✓ Ports
- ✓ Airports

50,000  
hours  
@L70

Up to  
**130**  
lm/w

**IP66**

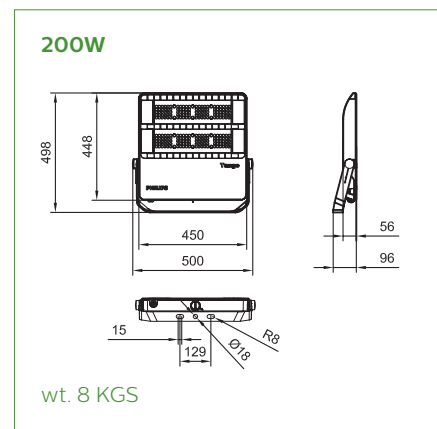
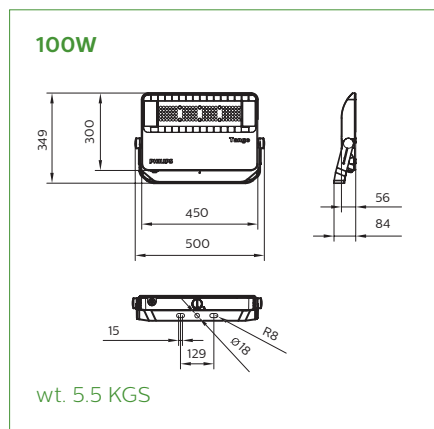
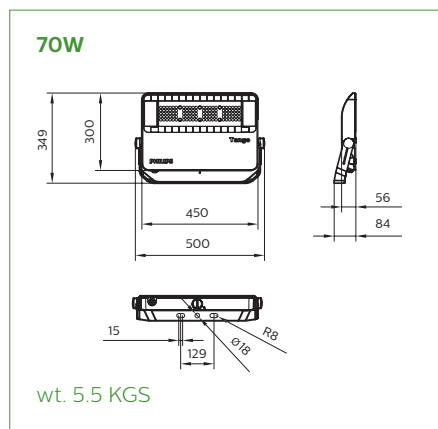
**IK08**

**5**  
year  
warranty

## Simple installation

Easy to install and maintain and comes complete with a galvanised mounting bracket for harsh environments. Also includes 600mm flying lead and built in protractor to ensure accurate aiming.

## Dimensions



Dimensions shown above are nominal measurements. Slight variation in dimensions may occur in production.

## Order codes for the CoreLine Floodlight

| Specification        | Part Number  | Shortcode       |
|----------------------|--|-----------------|
| 70W, 8400lm, 4000K   | 911401692105 BVP381 LED91/NW 70W 220-240V SWB CL   | BVP381918470SB  |
| 100W, 12000lm, 4000K | 911401692005 BVP381 LED130/NW 100W 220-240V SWB CL | BVP3811384100SB |
| 200W, 24000lm, 4000K | 911401691905 BVP382 LED260/NW 200W 220-240V SWB CL | BVP3822684200SB |

\*Note: All the above options come with a symmetrical wide beam optic.



**PHILIPS**

Interact Ready  
lighting

# Slow business or grow business?

Real professionals boost their business with **Philips connected lighting** – innovative luminaires that work with the **Interact Pro app and dashboard**.

- ✓ World class connected lighting for small- and medium-sized businesses.
- ✓ Easy to install - no need for separate antennas, radio boxes or signal cables.
- ✓ Speedy set up with the intuitive Interact Pro app.
- ✓ Get invaluable data from the Interact Pro dashboard and become a trusted advisor.
- ✓ Interact Pro seamlessly works with our Interact Ready CoreLine luminaires.

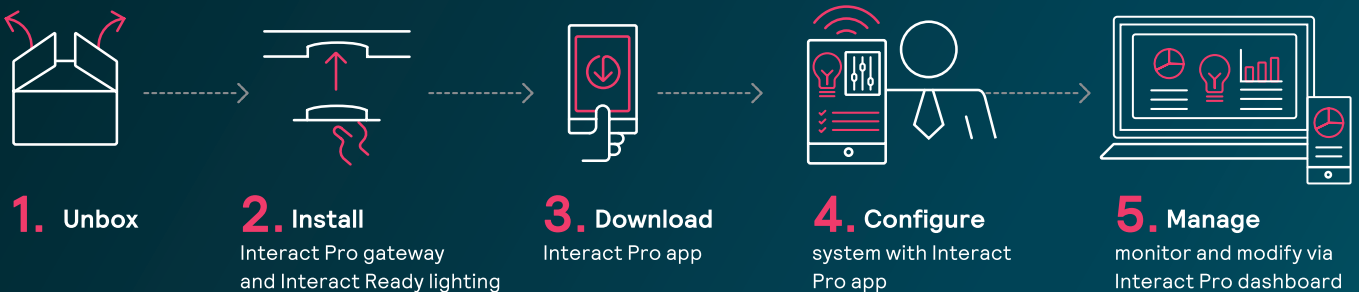
**REAL  
PROs**  
**REAL  
QUALITY**



# interact Pro

It's now possible to bring the power of IoT connected lighting to small and medium-sized businesses with up to 200 light points. Meet Interact Pro: an intuitive app and dashboard that work with Philips Interact Ready CoreLine luminaires. Wherever you work, it works!

## Get connected in 5 simple steps



**PHILIPS** interact ready.

Smart luminaires

Smart controls and sensors

Works with

**interact Pro**

Interact Pro gateway

Interact Pro app

Interact Pro dashboard

Discover the possibilities – visit [www.interact-lighting.com](http://www.interact-lighting.com)

# What is **Ingress Protection (IP)** rating?

IP ratings describe the environmental protection that a product has from particles and liquids.

Second digit = Protection against liquids (0 - 8)



## Digit

**0**

Non protected.



**1**

Protected against a solid object greater than 50mm, such as a hand.



**2**

Protected against a solid object greater than 12.5mm, such as a finger.



**3**

Protected against a solid object greater than 2.5mm, such as a wire.



**4**

Protected against a solid object greater than 1.0mm, such as a thin strap.



**5**

Dust protected. Protects against ingress of dust sufficient to cause harm.



**6**

Dust tight. No ingress of dust.



## Digit

**0**

Non protected.



**1**

Protected against dripping water.



**2**

Protected against dripping water when tilted up to 15 degrees.



**3**

Protected against spraying water at an angle of up to 60 degrees.



**4**

Protected against splashing water from any direction.



**5**

Protected against jets of water from any direction.



**6**

Protected against the effects of temporary immersion. Up to 30mins, between 15cm to 1m.



**7**

Protected against the effects of temporary immersion in water.



**8**

Protected against the effects of continuous immersion in water.

## Usage and common application

IP20 – suitable for most indoor applications.

IP44 – suitable for under canopy and bathroom.

IP54 – suitable for under canopy in outdoor areas, industrial application etc.

IP65 – suitable for industrial application and outdoor areas.

IP68 – suitable for underwater and in-ground applications.

The above information serves as a reference only. Always check with product manufacturer for suitability.

# What are IK (Impact Protection) ratings?

1.



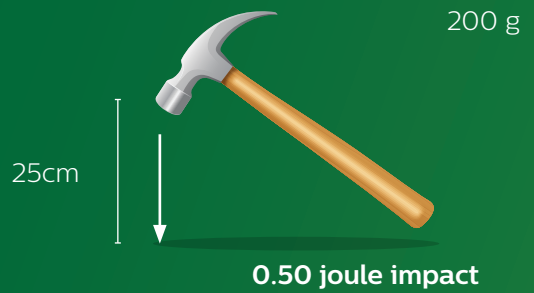
2.



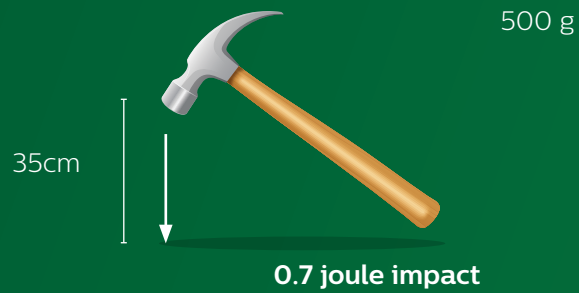
3.



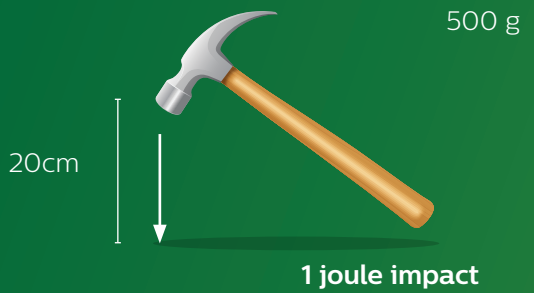
4.



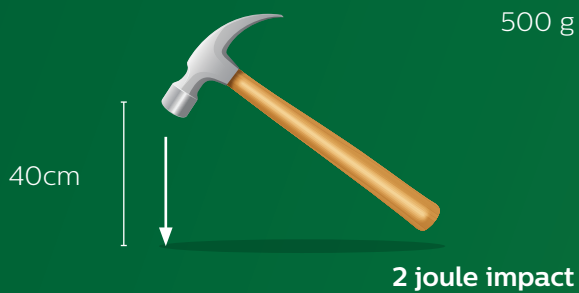
5.



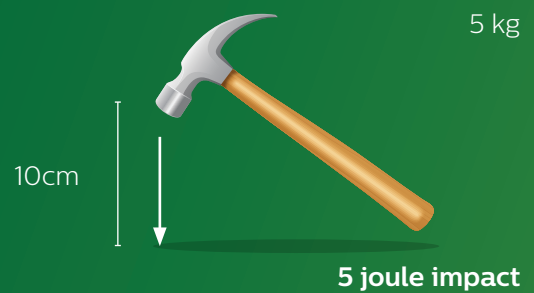
6.



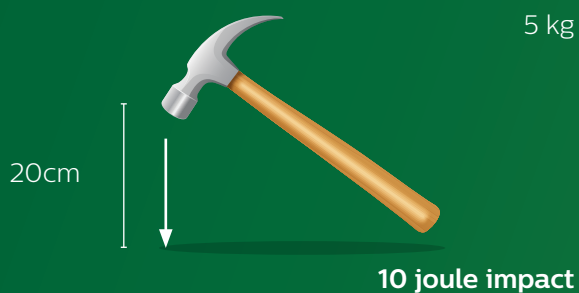
7.



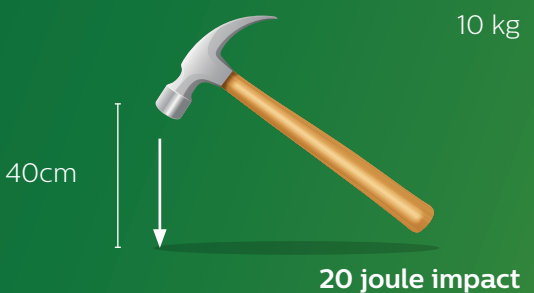
8.



9.



10.



# Common LED myths

There are many benefits to using LED lighting, but there are also numerous misconceptions about it. We help to separate the facts from fiction by busting some of the common myths.

## Myth 1

### LEDs last forever

LEDs have a long source life but they do still slowly fade over time. Ambient temperatures, electrical drive currents, and the effectiveness of cooling systems are all factors that contribute to this phenomenon called lumen depreciation. While LEDs typically do not catastrophically fail, lumen depreciation is a critical factor in determining useful lifetimes.



**Philips designs our white light LED products to sustain 70% of initial lumen output (L70).**

## Myth 2

### White LEDs produce over 180 lumens per watt

These results are often obtained in labs where LED chips are tested at room temperature conditions with short “pulse” tests that produce a high lumen output. While the results are not necessarily “wrong,” they do not reflect the typical expected output of LEDs in practical use. When used in lighting fixtures, LED output often decrease by 30–40%.



**Philips does not use raw LED specifications or “instant on” output testing. Instead, we use independent testing labs to validate the output of our fixtures at constant, realistic thermally-stable operating temperatures in rated, ambient environments.**

## Myth 3

### 3 Watt LEDs are brighter than 1 Watt LEDs

The wattage of a LED is not directly comparable to the wattage of a traditional light source or even from one LED to another. Two different LEDs can consume the same power but differ noticeably in light output. Thus, when selecting LEDs or LED fixtures, it is more about a quality and consistent light output rather than absolute power.



**Philips develops solutions based on the light output, distribution and quality needed for the application and not based on the particular wattage of LEDs.**

## Myth 4

### LED light quality is poor

The Colour Rendering Index (CRI) is the prevalent method used to judge light quality, though there are known deficiencies and limitations associated with it, especially for LED-based light sources. Research in at least one study found participants preferring LED sources over halogen and incandescent because of overall colour appearance, not a CRI value. The International Commission on Illumination (CIE) has proposed a new metric called Colour Quality Scale (CQS), which will incorporate colour rendering, chromatic discrimination and observer preferences into the measure of Colour Quality.



**Philips works to design high quality and consistent light output. We measure our colour consistency in SDCM (Standard Deviation of Colour Matching).**

## Myth 5

### LEDs generate no heat

When used in lighting applications, LEDs do not radiate infrared heat, only visible light. However, waste heat is produced during the conversion of electricity into light. If not properly removed from the lighting system, this may potentially damage the LEDs. Heat removal can be accomplished through heat sinks that draws heat away from the LED and dissipate it into the surrounding air.



**Philips designs, simulates and tests our products for high thermal efficiency to ensure optimal performance and maximise the lifetime of our LEDs.**

## Myth 6

### LEDs are not resistant to vibration

There are no moving parts, filaments or fragile glass enclosures with LED lighting. LEDs are therefore very suitable for use in a wide range of applications.



**Philips designs products that must pass vibration tests according to IEC standards. In some cases, we use military standards for higher grade of assurance.**

## Myth 7

### LED systems cost too much

The initial investment of LED systems is higher than that of conventional systems, but due to the long life of the LED and energy savings ranging between 50%–70% compared to conventional light sources, the economic payback can typically be seen in less than two years. Additionally, the upfront cost of LED systems is also dropping rapidly.



**Philips provides cost-effective solutions that have a proven and compelling return on investment (ROI).**

## Myth 8

### LEDs are not bright enough

LED traffic lights are already common and are certainly a sign that LEDs are bright enough to be seen even in daylight. Outdoor roads, tunnels and entire building façades are being lit entirely with LEDs today. By any measure, LEDs have enough light output for use even in very large outdoor daylight-visible installations.



**Philips products have been used in more than 20,000 installations worldwide, including large exterior projects such as the Stamford Bridge Stadium (Chelsea Football Club), Al Saad Stadium (Doha, Qatar) and Federal Highway (Malaysia).**

## Myth 9

### LED lights are dangerous to our eyes

There is a small amount of blue light generated by LED but it is a tiny fraction of the emissions from natural daylight, and similar to emissions from other artificial light sources like incandescent, halogen and energy savers or fluorescent lamps. Typical daily exposure to natural blue light is at least 1,000 times stronger compared to artificial light indoors.



**Philips LED products comply with all the relevant regulations and legislation, ensuring products are safe to use. This means that being exposed to an LED light is as safe as being exposed to any other artificial light source, and safer than being exposed to natural lighting conditions – such as walking in the open air.**

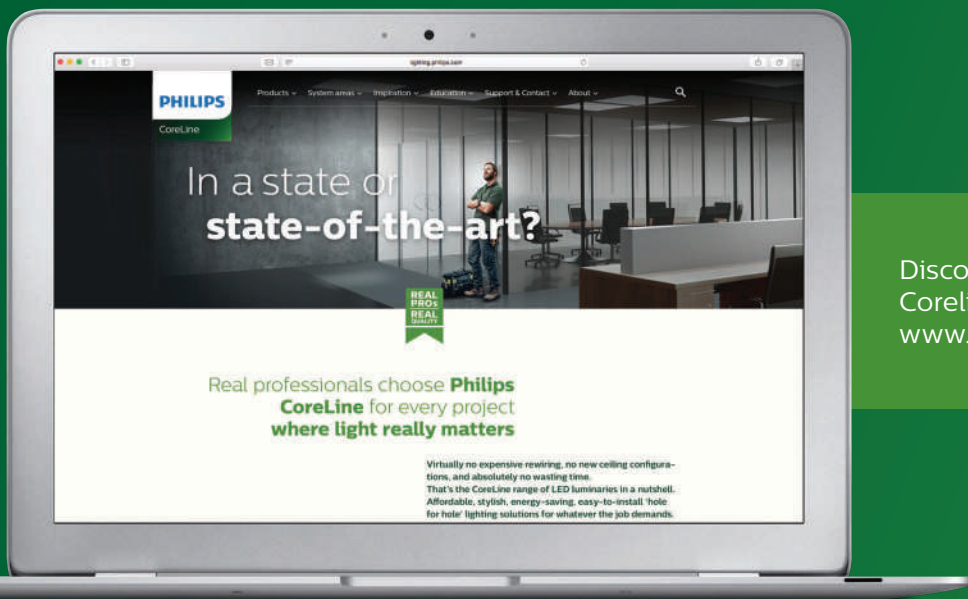
# Real Pros, Real Quality

When you need to get the job done right, you can count on Philips LED technology. With the widest range of LED lamps, fixtures and controls, we can satisfy every customer need.

LED technologies are rapidly changing, creating plenty of new opportunities. As a trusted name in lighting, we understand your challenges and can help you build your business.

You're no handyman - you're a real professional. Someone who can be relied on to get the job done. Someone who plans well, executes fast and works efficiently. Real professionals count on Philips Lighting.

## CoreLine. Just the beginning



Discover more about  
Coreline luminaires at  
[www.philips.com/coreline](http://www.philips.com/coreline)

**REAL  
PROS**  

---

**REAL  
QUALITY**

# Notes

---

---

---

---

---

---

---

---

---

---

---

---

---

---

---

---

---

---

---

---

---

---

---

---

---

---

---





2020 Signify Holding. All rights reserved. The information provided herein is subject to change, without notice. Signify does not give any representation or warranty as to the accuracy or completeness of the information included herein and shall not be liable for any action in reliance thereon. The information presented in this document is not intended as any commercial offer and does not form part of any quotation or contract, unless otherwise agreed by Signify. Philips and the Philips Shield Emblem are registered trademarks of Koninklijke Philips N.V. All other trademarks are owned by Signify Holding or their respective owners.

Version: January 2020

**Signify Australia Limited**

65 Epping Road  
North Ryde, NSW 2113  
Australia  
T: 1300 110 500

**Signify New Zealand Limited**

Level 3, 123 Carlton Gore Road  
Newmarket, Auckland 1023  
New Zealand  
T: 0800 454 448 / 0800 4 LIGHT

[www.philips.com/coreline](http://www.philips.com/coreline)