

Day-Brite



by Signify

Recessed

FluxPanel LED gen 2 1x4

Up to 4500 lumens



Day-Brite/CFI FluxPanel LED gen 2 recessed is a highly versatile luminaire designed to provide smooth lighting gradient on the lens surface and ease of installation. Available for use in recessed, suspended, and surface mount orientation, FluxPanel gen 2 is ideal for general lighting applications such as open office, schools, healthcare, and retail.

Project: _____
 Location: _____
 Cat.No: _____
 Type: _____
 Lamps: _____ Qty: _____
 Notes: _____

Ordering guide – Standard configurations available with all choices, unless otherwise noted. Base configurations selections indicated by blue.

Example: 1FPZ38L840-4-DS-UNV-DIM-BSL6LST

Width	Family	Lumens	Color	Length	Diffuser	Voltage	Driver	Options ²
1	FPZ		-	4	DS	-	-	
1	1' FPZ FluxPanel	Standard configurations 15L⁴ 1500 nominal delivered lumens 30L 3000 nominal delivered lumens 38L 3800 nominal delivered lumens 45L 4500 nominal delivered lumens Base configuration⁴ 38B 3800 nominal delivered lumens	835 80 CRI, 3500K 840 80 CRI, 4000K 850 80 CRI, 5000K	4 4'	DS Diffuse (smooth)	UNV Universal Voltage, 120-277 volt 120 ³ 120V 277 ³ 277V 347 347V	DIM ¹ SDIM XDIM ³	0-10V dimming Step dimming to 40% input power MarkX phase dimming F1 3/8" flex, 3 wire 18 gauge 6' F2 3/8" flex, 4 wire 18 gauge 6' F1/D 3/8" twin flex, 3 wire 18 gauge 6' for dimmable luminaires F2/5W 3/8" single flex, 5 wire 18 gauge 6' for dimmable luminaires F2/6W 3/8" single flex, 6 wire 18 gauge 6' or dimmable and emergency luminaires GLR Fusing, fast blow BSL10LST ⁶ Bodine 10W battery pack BSL6LST ⁶ Bodine 6W battery pack DSC Quick driver disconnect CHIC Chicago Plenum rated IAP ^{4,5,7} Integral Interact Pro RF sensor, enables network lighting control SWZDTRM ^{4,7} Remote sensor, daylighting and occupancy, advanced grouping with dwell time

Footnotes

- 0-10v dimming to 1% for Standard, and 5% for Base configurations
- All options available with Standard configurations only
- XDIM requires 120V or 277V specification
- Specify DIM driver option only
- Integral IAP option dimmable to 5% via wireless wall switch. See page 2.
- Not available with 347V option
- Not available with surface or suspended accessories
- Maximum of 4 luminaires per controller

Accessories (order separately)

- FMA14** - 1'x4' "F" mounting frame for NEMA "F" mounting
- FSK14** - 1'x4' surface mount field installation kit (factory sealed welded seams)
- FSF14** - 1'x4' surface mount field assembly kit (field assembled)
- FPZCH48-1D-SC** - adjustable cable hanger kit with straight white 18/5 cord for dimming (two-1 powered, 1 non-powered)
- SWZDT^{4,7,8}** - SpaceWise wireless controller with daylighting and occupancy, advanced grouping with dwell time functionality (compatible with all 0-10V options, see SWZDT spec sheet)

Light to go

Compatible configurations

Luminaire

1FPZ38B835-4-DS-UNV-DIM
 1FPZ38B840-4-DS-UNV-DIM



1FPZ FluxPanel LED recessed 1x4

Up to 4500 lumens

Application

- Base configurations are 1 9/16". Standard configurations are 3" Dimensions stated for overall depth, including driver box.
- Even distribution of light on the lens provides exceptionally low glare gradient minimizing distractions at the ceiling plane.
- General light distribution creates uniform horizontal and vertical illuminance on the work plane and limits scalloping on the walls.
- Excellent consistency of correlated color temperature (CCT) per ANSI C78.377.
- CRI 80 minimum color rendering with balanced spectrum.
- Designed for use with standard Grid (NEMA "G") or Narrow Grid (NEMA "NFG") ceiling T-bars. Drywall or plaster application require use with the FMA14 "F" mounting frame accessory (sold and shipped separately).
- Accessory field install kits available for surface (FSK14) and suspended (FPZCH48) mounting

- Back lit LED arrays with optics provide highly efficient and unipixelated transfer of light to the diffuser.
- Integral clips accommodate definitive attachment to T-bar grid for recessed applications.
- Die formed surface box accessory kit post painted gloss white enamel.

- Flicker and stroboscopic effect compliant to NEMA 77-2017.
- TM-21 predicted L70 lumen maintenance up to 90,000 hours per LED manufacturer LM-80 report.
- cULus (Base) or cETLus (Standard) listed to UL and CSA standards, suitable for damp locations.

Enclosure

- Diffuser provides visual comfort and high efficiency.
- Flat opal lens is easy to clean and provides a uniform aesthetic on the ceiling plane.
- Tight enclosure assembly impedes ingress of dust and insects.

- Base and Standard configurations are IC rated.
- FluxPanel luminaires are Designlights Consortium® Standard and Premium qualified. Please see the DLC QPL list for exact catalog numbers (www.designlights.org/QPL).

Electrical

- Up to 125 lm/W efficacy.
- High efficiency Advance driver featuring high power factor (>0.90), 120-277V 60/50Hz, and less than 15% THD.
- Minimum start temperature -20°C (-4°F).
- Standard configurations are 0-10V dimming to 1%. Base configurations are to 5%.
- To predict lumen output in emergency mode, multiply emergency pack wattage by luminaire efficacy, then by 1.10. Typical lumen output is 1200lm for BSL10LST, and 850lm for BSL6LST.
- Electromagnetic interference (EMI) compliant to FCC Title 47 Part 15 class A.

General Notes

- All options factory installed.
- All accessories are field installed.
- Many luminaire components, such as reflectors, refractors, lenses, sockets, lampholders, and LEDs are made from various types of plastics which can be adversely affected by airborne contaminants. If sulfur based chemicals, petroleum based products, cleaning solutions, or other contaminants are expected in the intended area of use, consult factory for compatibility.
- Five year limited luminaire warranty includes LED boards and driver. Visit www.signify.com/warranties for complete warranty information.

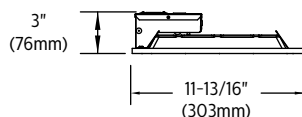
Construction/Finish

- Die formed galvanized steel housing.
- Extruded aluminum frame post painted with gloss white enamel finish. Corners are precision welded for seamless aesthetic.
- Emergency options available with factory installed battery pack and remote field installed test switch/light with cover plate.
- Die formed driver box with standard access plate for ease of wiring, provides tool-free access to driver(s) from above.

Energy data

Luminaire	Catalog Number	Input Power	Efficacy	DLC
1x4 Standard	1FPZ15L840	12	124	Premium
	1FPZ30L840	25	122	Standard
	1FPZ38L840	30	126	Premium
	1FPZ45L840	38	121	Standard
1x4 Base	1FPZ38B840	30	110	Standard

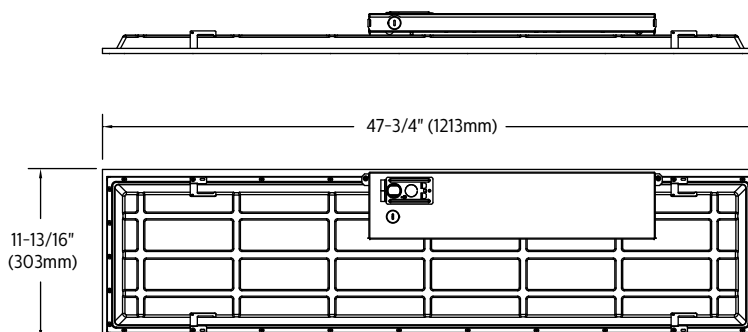
Dimensions



Note: Base configurations are 1-9/16" deep. Standard configurations are 3" deep.

Emergency driver box shown is 20.5" (521mm) long.

Standard non-EM driver box is 10.5" (267mm) long



1FPZ FluxPanel LED recessed 1x4

Up to 4500 lumens

Wireless Controls Options

SpaceWise DT (SWZDT)

- Standalone daylight and occupancy sensing with advanced grouping and dwell time
- Commissioning via compatible Android phone and Philips Field App
- Dimming via compatible Zigbee wireless wall switch only (see link below for details)
- Register for the commissioning app at www.componentcloud.philips.com/#/register;first=true
- Integral sensing options may not be combined
- For more information including recommended switches, refer to the following: –

SWZDT – www.usa.lighting.philips.com/systems/lighting-systems/spacewise

Interact Pro (IAP)

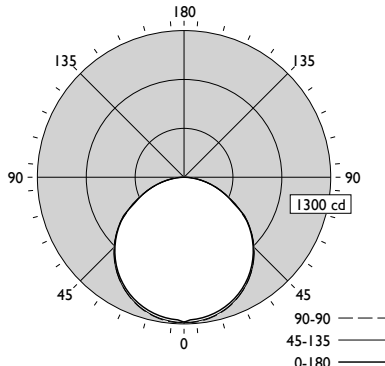
- Interact Pro brings the power of connected lighting to **small and medium businesses** without the complexity usually associated with connected lighting.
- Interact Pro includes an app, a portal and a broad portfolio of wireless Luminaires, lamps and retrofit kits all working on the same system.
- Commissioning via Interact Pro App (Android or iPhone)
- Prepare commissioning remotely via Interact Pro portal
- Requires compatible Interact Pro Gateway and internet connectivity for commissioning
- Compatible with UID8451/10 ZigBee Greenpower wireless dimmer switch
- Compatible with wireless Occ sensor (OCC SENSOR IA CM IP42 WH 10/1) or wireless Day/Occ sensor (OCC MULTI SENSOR IA CM WH 10/1)
- Interact Pro sensor attaches to adjacent t-bar, signal propagation from above ceiling
- For more information on Interact Pro visit: www.interact-lighting.com/pro
- For more information on Interact Ready visit: www.philips.com/interact-ready

1FPZ FluxPanel LED recessed 1x4

Up to 4500 lumens

1FPZ38L835-4-DS-UNV-DIM

Luminaire Lumens	3725
Luminaire Efficacy Rating (LER)	123
Total Luminaire Watts	30.2
Spacing Criterion (0-180)	1.26



Candela Distribution						Flux
	0	22.5	45	67.5	90	Lumens
0	1284	1284	1284	1284	1284	
5	1262	1282	1288	1282	1262	122
15	1222	1241	1246	1241	1222	350
25	1141	1158	1159	1158	1141	532
35	1022	1035	1035	1035	1022	646
45	866	877	875	877	866	674
55	682	689	685	689	682	610
65	444	447	453	447	444	446
75	249	248	248	248	249	263
85	71	69	76	69	71	82
90	5	10	30	10	5	

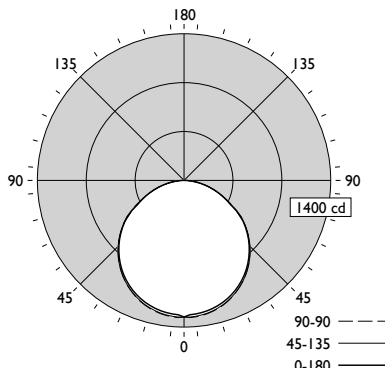
Zonal Lumen Summary			
Zone	Lumens	%Fixture	%Lamp
0-30	1003	26.9%	26.9%
0-40	1649	44.3%	44.3%
0-60	2933	78.7%	78.7%
0-90	3723	100.0%	100.0%
0-180	3725	100.0%	100.0%

Avg. Luminance (cd/m²)			
	0	90	180
0	4616	4616	4616
5	4553	4647	4553
15	4545	4635	4545
25	4524	4595	4524
35	4482	4540	4482
45	4401	4447	4401
55	4271	4291	4271
65	3776	3848	3776
75	3455	3442	3455
85	2915	3113	2915

Coefficients of Utilization %											
Pc---	80				70			50			0
Pw---	70	50	30	10	70	50	30	50	30	10	0
RCR											
0	119	119	119	119	116	116	116	111	111	111	100
1	109	104	99	95	106	101	97	97	94	91	83
2	99	90	83	78	96	88	82	85	79	75	69
3	90	79	71	64	87	78	70	75	68	63	58
4	82	70	61	54	80	69	60	66	59	53	50
5	76	63	54	47	73	61	53	59	52	46	43
6	70	56	47	41	68	55	47	54	46	40	37
7	65	51	42	36	63	50	42	49	41	36	33
8	60	47	38	32	59	46	38	44	37	32	29
9	56	43	34	29	55	42	34	41	34	29	26
10	53	39	31	26	51	39	31	38	31	26	24

1FPZ38L840-4-DS-UNV-DIM

Luminaire Lumens	3782
Luminaire Efficacy Rating (LER)	126
Total Luminaire Watts	30.0
Spacing Criterion (0-180)	1.26



Candela Distribution						Flux
	0	22.5	45	67.5	90	Lumens
0	1304	1304	1304	1304	1304	
5	1280	1302	1307	1302	1280	124
15	1239	1260	1265	1260	1239	355
25	1157	1175	1177	1175	1157	540
35	1036	1051	1051	1051	1036	655
45	879	891	888	891	879	684
55	692	699	696	699	692	620
65	451	453	459	453	451	453
75	253	252	251	252	253	266
85	72	70	77	70	72	83
90	5	10	29	10	5	

Zonal Lumen Summary			
Zone	Lumens	%Fixture	%Lamp
0-30	1019	26.9%	26.9%
0-40	1674	44.3%	44.3%
0-60	2978	78.7%	78.7%
0-90	3781	100.0%	100.0%
0-180	3782	100.0%	100.0%

Avg. Luminance (cd/m²)			
	0	90	180
0	4685	4685	4685
5	4617	4716	4617
15	4608	4706	4608
25	4589	4666	4589
35	4546	4609	4546
45	4468	4515	4468
55	4333	4361	4333
65	3833	3899	3833
75	3509	3488	3509
85	2969	3154	2969

Coefficients of Utilization %											
Pc---	80				70			50			0
Pw---	70	50	30	10	70	50	30	50	30	10	0
RCR											
0	119	119	119	119	116	116	116	111	111	111	100
1	109	104	99	95	106	101	97	97	94	91	83
2	99	90	83	78	96	88	82	85	79	75	69
3	90	79	71	64	87	78	70	75	68	63	58
4	82	70	61	54	80	69	60	66	59	53	50
5	76	63	53	47	73	61	53	59	52	46	43
6	70	56	47	41	68	55	47	54	46	40	37
7	65	51	42	36	63	50	42	49	41	36	33
8	60	47	38	32	59	46	38	44	37	32	29
9	56	43	34	29	55	42	34	41	34	29	26
10	53	39	31	26	51	39	31	38	31	26	24



© 2020 Signify Holding. All rights reserved. The information provided herein is subject to change, without notice. Signify does not give any representation or warranty as to the accuracy or completeness of the information included herein and shall not be liable for any action in reliance thereon. The information presented in this document is not intended as any commercial offer and does not form part of any quotation or contract, unless otherwise agreed by Signify.

Signify North America Corporation
200 Franklin Square Drive,
Somerset, NJ 08873
Telephone 855-486-2216

Signify Canada Ltd.
281 Hillmount Road,
Markham, ON, Canada L6C 2S3
Telephone 800-668-9008

All trademarks are owned by Signify Holding or their respective owners.