

Day-Brite



by Signify

Recessed

FluxPanel LED gen 2 2x4

Up to 6000 lumens



Day-Brite/CFI FluxPanel LED gen 2 recessed is a highly versatile luminaire designed to provide smooth lighting gradient on the lens surface and ease of installation. Available for use in recessed, suspended, and surface mount orientation, FluxPanel gen 2 is ideal for general lighting applications such as open office, schools, healthcare, and retail.

Project: _____
 Location: _____
 Cat.No: _____
 Type: _____
 Lamps: _____ Qty: _____
 Notes: _____

Ordering guide – Standard configurations available with all choices, unless otherwise noted. Base configurations selections indicated by blue.

Example: 2FPZ43L840-4-DS-UNV-DIM-BSL10LST

Width	Family	Lumens	Color	Length	Diffuser	Voltage	Driver	Options ²
2	FPZ		-	4	DS	-	-	
2	2' FPZ FluxPanel gen 2	Standard configurations 15L ⁴ 1500 nominal delivered lumens 30L 3000 nominal delivered lumens 38L 3800 nominal delivered lumens 43L 4300 nominal delivered lumens 48L 4800 nominal delivered lumens 54L 5400 nominal delivered lumens 60L 6000 nominal delivered lumens Base configuration⁴ 42B 4200 nominal delivered lumens	835 80 CRI, 3500K 840 80 CRI, 4000K 850 80 CRI, 5000K	4 4'	DS Diffuse (smooth)	UNV Universal Voltage, 120-277 volt 120 ³ 120V 277 ³ 277V 347 347V	DIM ¹ 0-10V dimming SDIM ⁷ Step dimming to 40% input power XDIM ^{3,7} MarkX phase dimming	F1 3/8" flex, 3 wire 18 gauge 6' F2 3/8" flex, 4 wire 18 gauge 6' F1/D 3/8" twin flex, 3 wire 18 gauge 6' for dimmable luminaires F2/5W 3/8" single flex, 5 wire 18 gauge 6' for dimmable luminaires F2/6W 3/8" single flex, 6 wire 18 gauge 6' or dimmable and emergency luminaires GLR Fusing, fast blow BSL10LST ⁶ Bodine 10W battery pack BSL6LST ⁶ Bodine 6W battery pack DSC Quick driver disconnect CHIC Chicago Plenum rated IAP ^{4,5,8} Integral Interact Pro RF sensor, enables network lighting control SWZDTRM ^{4,8} Remote sensor, daylighting and occupancy, advanced grouping with dwell time

Footnotes

- 1 0-10v dimming to 1% for Standard, and 5% for Base configurations
- 2 All options available with Standard configurations only
- 3 XDIM requires 120V or 277V specification
- 4 Specify DIM driver option only
- 5 Integral IAP option dimmable to 5% via wireless wall switch. See page 2.
- 6 Not available with 347V option
- 7 Available with 54L package or lower
- 8 Not available with surface or suspended accessories
- 9 Maximum of 4 luminaires per controller

Accessories (order separately)

- FMA24 – 2'x4' "F" mounting frame for NEMA "F" mounting
- FSK24 – 2'x4' surface mount field installation kit (factory welded seams)
- FSF24 – 2'x4' surface mount field assembly kit (field assembled)
- FPZCH48-1D-SC – adjustable cable hanger kit with straight white 18/5 cord for dimming (two-1 powered, 1 non-powered)
- SWZDT^{4,8,9} – SpaceWise wireless controller with daylighting and occupancy, advanced grouping with dwell time functionality (compatible with all 0-10V options, see SWZDT spec sheet)

Light to go

Compatible configurations

Luminaire

2FZP42B840-4-DS-UNV-DIM
 2FZP42B835-4-DS-UNV-DIM



interact ready.

2FPZ FluxPanel LED recessed 2x4

Up to 6000 lumens

Application

- Base configurations are 1 9/16". Standard configurations are 3" Dimensions stated for overall depth, including driver box.
- Even distribution of light on the lens provides exceptionally low glare gradient minimizing distractions at the ceiling plane.
- General light distribution creates uniform horizontal and vertical illuminance on the work plane and limits scalloping on the walls.
- Excellent consistency of correlated color temperature (CCT) per ANSI C78.377.
- CRI 80 minimum color rendering with balanced spectrum.
- Designed for use with standard Grid (NEMA "G") or Narrow Grid (NEMA "NFG") ceiling T-bars. Drywall or plaster application require use with the FMA24 "F" mounting frame accessory (sold and shipped separately).
- Accessory field install kits available for surface (FSK24) and suspended (FPZCH48) mounting.

- Backlit LED arrays with optics provide highly efficient and unpixelated transfer of light to the lens.
- Integral clips accommodate definitive attachment to T-bar grid for recessed applications.
- Die formed surface box accessory kit post painted gloss white enamel.

Enclosure

- Diffuser provides visual comfort and high efficiency.
- Flat opal lens is easy to clean and provides a uniform aesthetic on the ceiling plane.
- Tight enclosure assembly impedes ingress of dust and insects.

Electrical

- Up to 130 lm/W efficacy.
- High efficiency Advance driver featuring high power factor (>0.90), 120-277V 60/50Hz, and less than 15% THD.
- Minimum start temperature -20°C (-4°F).
- Standard configurations are 0-10V dimming to 1%. Base configurations are to 5%.
- To predict lumen output in emergency mode, multiply emergency pack wattage by luminaire efficacy, then by 1.10. Typical lumen output is 1300lm for BSL10LST, and 800lm for BSL6LST.
- Electromagnetic interference (EMI) compliant to FCC Title 47 Part 15 class A.
- Flicker and stroboscopic effect compliant to NEMA 77-2017.

- TM-21 predicted L70 lumen maintenance up to 90,000 hours per LED manufacturer LM-80 report.
- cULus (Base) or cETLus (Standard) listed to UL and CSA standards, suitable for damp locations.
- Base and Standard configurations are IC rated.
- FluxPanel luminaires are Designlights Consortium® qualified. Please see the DLC QPL list for exact catalog numbers (www.designlights.org/GPL).

General Notes

- All options factory installed.
- All accessories are field installed.
- Many luminaire components, such as reflectors, refractors, lenses, sockets, lampholders, and LEDs are made from various types of plastics which can be adversely affected by airborne contaminants. If sulfur based chemicals, petroleum based products, cleaning solutions, or other contaminants are expected in the intended area of use, consult factory for compatibility.
- Five year limited luminaire warranty includes LED boards and driver. Visit www.signify.com/warranties for complete warranty information.

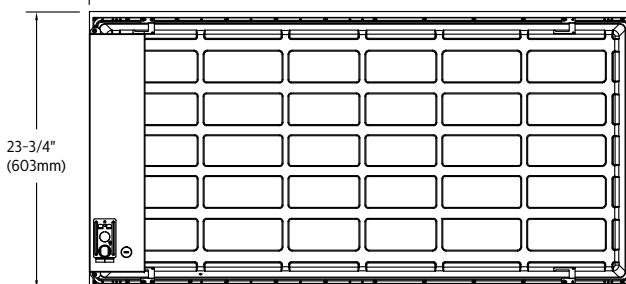
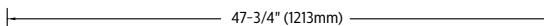
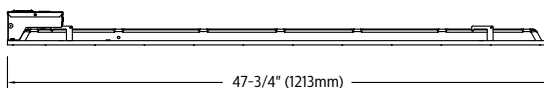
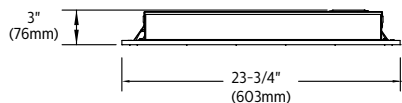
Construction/Finish

- Die formed galvanized steel housing.
- Extruded aluminum frame post painted with gloss white enamel finish. Corners are precision welded for seamless aesthetic.
- Emergency options available with factory installed battery pack and remote field installed test switch/light with cover plate.
- Die formed driver box with standard access plate for ease of wiring, provides tool-free access to driver(s) from above.

Energy data

Luminaire	Catalog Number	Input Power	Efficacy	DLC
2x4 Standard	2FPZ15L840	12	122	Standard
	2FPZ30L840	23	132	Premium
	2FPZ38L840	29	132	Premium
	2FPZ43L840	30	132	Premium
	2FPZ48L840	37	132	Premium
	2FPZ54L840	42	130	Premium
	2FPZ60L840	47	131	Premium
2x4 Base	2FPZ42B840	40	110	Standard

Dimensions



Note: Base configurations are 1-9/16" deep. Standard configurations are 3" deep.

Emergency driver box shown is 20.5" (521mm) long.

Standard non-EM driver box is 10.5" (267mm) long

2FPZ FluxPanel LED recessed 2x4

Up to 6000 lumens

SpaceWise DT (SWZDT)

- Standalone daylight and occupancy sensing with advanced grouping and dwell time
- Commissioning via compatible Android phone and Philips Field App
- Dimming via compatible Zigbee wireless wall switch only (see link below for details)
- Register for the commissioning app at www.componentcloud.philips.com/#/register;first=true
- Integral sensing options may not be combined
- For more information including recommended switches, refer to the following: -

SWZDT - www.usa.lighting.philips.com/systems/lighting-systems/spacewise

Interact Pro (IAP)

- Interact Pro brings the power of connected lighting to **small and medium businesses** without the complexity usually associated with connected lighting.
- Interact Pro includes an app, a portal and a broad portfolio of wireless Luminaires, lamps and retrofit kits all working on the same system.
- Commissioning via Interact Pro App (Android or iPhone)
- Prepare commissioning remotely via Interact Pro portal
- Requires compatible Interact Pro Gateway and internet connectivity for commissioning
- Compatible with UID8451/10 ZigBee Greenpower wireless dimmer switch
- Compatible with wireless Occ sensor (OCC SENSOR IA CM IP42 WH 10/1) or wireless Day/Occ sensor (OCC MULTI SENSOR IA CM WH 10/1)
- Interact Pro sensor attaches to adjacent t-bar, signal propagation from above ceiling
- For more information on Interact Pro visit: www.interact-lighting.com/pro
- For more information on Interact Ready visit: www.philips.com/interact-ready

2FPZ FluxPanel LED recessed 2x4

Up to 6000 lumens

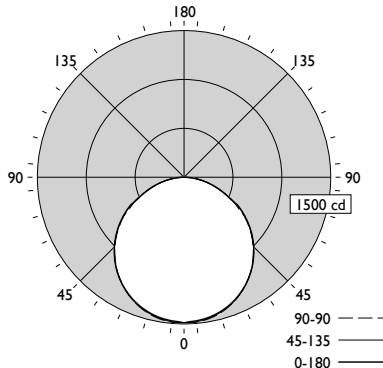
2FPZ43L835-4-DS-UNV-DIM

Luminaire Lumens	4317
Luminaire Efficacy Rating (LER)	132
Total Luminaire Watts	32.6
Spacing Criterion (0-180)	1.26

Candela Distribution					Flux	
	0	22.5	45	67.5	90	Lumens
0	1488	1488	1488	1488	1488	
5	1474	1483	1489	1483	1474	141
15	1425	1433	1438	1433	1425	404
25	1329	1333	1333	1333	1329	614
35	1189	1189	1185	1189	1189	743
45	1008	1005	999	1005	1008	775
55	794	790	783	790	794	705
65	520	536	533	536	520	528
75	293	290	288	290	293	307
85	85	84	89	84	85	98
90	4	15	34	15	4	

Zonal Lumen Summary			
Zone	Lumens	%Fixture	%Lamp
0-30	1159	26.8%	26.8%
0-40	1902	44.1%	44.1%
0-60	3381	78.3%	78.3%
0-90	4314	99.9%	99.9%
0-180	4317	100.0%	100.0%

Avg. Luminance (cd/m ²)			
	0	90	180
0	2441	2441	2441
5	2427	2451	2427
15	2420	2441	2420
25	2405	2413	2405
35	2380	2372	2380
45	2337	2318	2337
55	2271	2240	2271
65	2019	2067	2019
75	1857	1822	1857
85	1596	1681	1596



Coefficients of Utilization %											
Pc---	80				70			50		0	
Pw---	70	50	30	10	70	50	30	50	30	10	0
RCR											
0	119	119	119	119	116	116	116	111	111	111	100
1	109	104	99	95	106	101	97	97	94	91	83
2	99	90	83	77	96	88	82	85	79	75	69
3	90	79	71	64	87	77	70	74	68	62	58
4	82	70	61	54	80	69	60	66	59	53	49
5	75	62	53	47	73	61	53	59	52	46	43
6	70	56	47	41	68	55	47	53	46	40	37
7	65	51	42	36	63	50	42	49	41	35	33
8	60	46	38	32	58	46	38	44	37	32	29
9	56	43	34	29	55	42	34	41	34	28	26
10	53	39	31	26	51	39	31	38	31	26	24

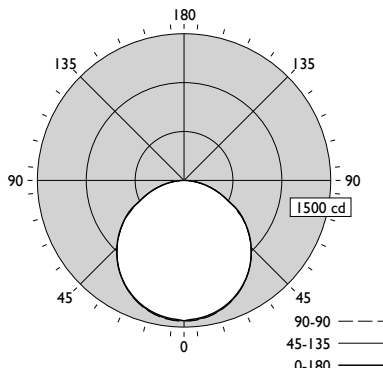
2FPZ43L840-4-DS-UNV-DIM

Luminaire Lumens	4164
Luminaire Efficacy Rating (LER)	128
Total Luminaire Watts	32.5
Spacing Criterion (0-180)	1.26

Candela Distribution					Flux	
	0	22.5	45	67.5	90	Lumens
0	1436	1436	1436	1436	1436	
5	1421	1432	1435	1432	1421	136
15	1374	1383	1386	1383	1374	390
25	1281	1287	1288	1287	1281	593
35	1145	1148	1147	1148	1145	718
45	971	971	969	971	971	749
55	765	762	759	762	765	681
65	501	498	516	498	501	506
75	284	279	279	279	284	297
85	83	80	84	80	83	94
90	7	11	30	11	7	

Zonal Lumen Summary			
Zone	Lumens	%Fixture	%Lamp
0-30	1118	26.9%	26.9%
0-40	1836	44.1%	44.1%
0-60	3266	78.4%	78.4%
0-90	4162	100.0%	100.0%
0-180	4164	100.0%	100.0%

Avg. Luminance (cd/m ²)			
	0	90	180
0	2355	2355	2355
5	2340	2363	2340
15	2333	2354	2333
25	2318	2332	2318
35	2294	2297	2294
45	2253	2247	2253
55	2189	2170	2189
65	1944	2001	1944
75	1797	1767	1797
85	1564	1585	1564



Coefficients of Utilization %											
Pc---	80				70			50		0	
Pw---	70	50	30	10	70	50	30	50	30	10	0
RCR											
0	119	119	119	119	116	116	116	111	111	111	100
1	109	104	99	95	106	101	97	97	94	91	83
2	99	90	83	77	96	88	82	85	79	75	69
3	90	79	71	64	87	77	70	74	68	62	58
4	82	70	61	54	80	69	60	66	59	53	49
5	75	62	53	47	73	61	53	59	52	46	43
6	70	56	47	41	68	55	47	53	46	40	37
7	65	51	42	36	63	50	42	49	41	35	33
8	60	46	38	32	58	46	38	44	37	32	29
9	56	43	34	29	55	42	34	41	34	28	26
10	53	39	31	26	51	39	31	38	31	26	24



© 2020 Signify Holding. All rights reserved. The information provided herein is subject to change, without notice. Signify does not give any representation or warranty as to the accuracy or completeness of the information included herein and shall not be liable for any action in reliance thereon. The information presented in this document is not intended as any commercial offer and does not form part of any quotation or contract, unless otherwise agreed by Signify.

Signify North America Corporation
200 Franklin Square Drive,
Somerset, NJ 08873
Telephone 855-486-2216

Signify Canada Ltd.
281 Hillmount Road,
Markham, ON, Canada L6C 2S3
Telephone 800-668-9008

All trademarks are owned by Signify Holding or their respective owners.