

# Day-Brite

## CFI

by Signify

### Recessed

### FluxPanel LED 2x2

Up to 4500 lumens



Day-Brite/CFI FluxPanel LED recessed is a highly versatile luminaire designed to provide smooth lighting gradient on the lens surface and ease of installation. Available for use in recessed, suspended, and surface mount orientation, FluxPanel is ideal for general lighting applications such as open office, schools, healthcare, and retail.

Project: \_\_\_\_\_  
 Location: \_\_\_\_\_  
 Cat.No: \_\_\_\_\_  
 Type: \_\_\_\_\_  
 Lamps: \_\_\_\_\_ Qty: \_\_\_\_\_  
 Notes: \_\_\_\_\_

**Ordering guide – Standard configurations available with all choices, unless otherwise noted.**  
**Base configurations selections indicated by blue.**

**Example: 2FXP38L840-2-DS-UNV-DIM-EMLED7**

Width	Family	Lumens	Colour	Length	Diffuser	Voltage	Driver	Options <sup>2</sup>
2	FXP		-	2	DS	-	-	
2' 2'	FXP FluxPanel	<u>Base configuration<sup>5</sup></u> <b>38B</b> 3800 nominal delivered lumens  <u>Standard configurations<sup>4</sup></u> <b>30L</b> 3000 nominal delivered lumens <b>38L</b> 3800 nominal delivered lumens <b>45L</b> 4500 nominal delivered lumens	<b>835</b> 80 CRI, 3500K <b>840</b> 80 CRI, 4000K  <b>850</b> 80 CRI, 5000K	2' 2'	DS Diffuse (smooth)	<u>UNV Universal Voltage, 120-277 volt</u>  <b>120<sup>3</sup></b> 120V <b>277<sup>3</sup></b> 277V <b>347</b> 347V	<b>DIM<sup>1,7</sup></b> 0-10V dimming  <b>SDIM</b> Step dimming to 40% input power  <b>XDIM<sup>8</sup></b> MarkX phase dimming	<b>F1</b> 3/8" flex, 3 wire 18 gauge 6' <b>F2</b> 3/8" flex, 4 wire 18 gauge 6' <b>F1/D</b> 3/8" twin flex, 3 wire 18 gauge 6' for dimmable luminaires <b>F2/5W</b> 3/8" single flex, 5 wire 18 gauge 6' for dimmable luminaires <b>F2/6W</b> 3/8" single flex, 6 wire 18 gauge 6' or dimmable and emergency luminaires <b>GLR</b> Fusing, fast blow <b>GTD/SNSR<sup>8,9,10</sup></b> UL924 listed Bodine GTD installed between driver & sensor <b>EMLED<sup>10</sup></b> Bodine BSL310 10W battery pack <b>EMLED7<sup>10</sup></b> Bodine BSL17 7W battery pack <b>DSC</b> Quick driver disconnect <b>CHIC</b> Chicago Plenum rated <b>IAP<sup>6</sup></b> Integral Interact Pro RF sensor, enables network lighting control

- 0-10v dimming to 1% for Standard, and 10% for Base configurations
- All options available with Standard configurations only
- XDIM requires 120V or 277V specification
- Standard configurations are packaged one unit per carton
- UNV base configurations are packaged two units per carton, and sold in even quantities only
- Specify DIM driver option only
- Integral IAP option dimmable to 5% via wireless wall switch. See page 2.
- Must be installed in conjunction with a UL1008 device.
- Must be ordered with an integral controls option.
- Not available with 347V option.

### Accessories (order separately)

- FMA22** – 2'x2' "F" mounting frame for NEMA "F" mounting
- FSK22** – 2'x2' surface mount field installation kit (factory welded seams)
- FSF22** – 2'x2' surface mount field assembly kit (field assembled)
- 2PCH48-1-SC** – adjustable cable hanger kit for 2x2 with straight white 18/3 cord (two-1 powered, 1 non-powered)
- 2PCH48-1D-SC** – adjustable cable hanger kit for 2x2 with straight white 18/5 cord for dimming (two-1 powered, 1 non-powered)

## Light to go

Compatible configurations

Luminaire

- 2FXP38B8502DSUNVDIM
- 2FXP38B8402DSUNVDIM
- 2FXP38B8352DSUNVDIM

every job matters



interact ready.

# 2FXP FluxPanel LED recessed 2x2

Up to 4500 lumens

## Application

- 7/16" ultra shallow light guide profile.
- Overall 1-15/16" deep luminaire, including driver box, provides minimal intrusion into the plenum space.
- Even distribution of light on the lens provides exceptionally low glare gradient minimizing distractions at the ceiling plane.
- General light distribution creates uniform horizontal and vertical illuminance on the work plane and limits scalloping on the walls.
- Excellent consistency of correlated color temperature (CCT) per ANSI C78.377.
- CRI 80 minimum color rendering with balanced spectrum.
- Designed for use with standard Grid (NEMA "G") or Narrow Grid (NEMA "NFG") ceiling T-bars. Drywall or plaster application require use with the FMA22 "F" mounting frame accessory (sold and shipped separately).
- Accessory field install kits available for surface (FSK22) and suspended (2PCH48) mounting.

## Construction/Finish

- Extruded aluminum frame post painted with gloss white enamel finish. Corners are precision welded for seamless aesthetic.
- Emergency options available with factory installed battery pack and remote field installed test switch/light with cover plate.
- Die formed driver box with standard access plate for ease of wiring, provides tool-free access to driver(s) from above.
- Edge lit LED arrays provide highly efficient and unpiloted transfer of light to the light guide panel.
- Integral clips accommodate definitive attachment to T-bar grid for recessed applications.
- Die formed surface box accessory kit post painted gloss white enamel.
- Suspended accessory kits available, include cables, luminaire mounting clips, and adjustable connectors.
- All Base configurations are shipped two luminaires per master carton. Standard configurations are one luminaire per master carton.

## Enclosure

- Acrylic diffuser provides visual comfort and high efficiency.
- Flat opal lens is easy to clean and provides a uniform aesthetic on the ceiling plane.
- Tight enclosure assembly impedes ingress of dust and insects.

## Electrical

- Up to 112 lm/W efficacy.
- High efficiency Advance driver featuring high power factor (>0.90), 120-277V 60/50Hz, and less than 15% THD.
- Minimum start temperature -20°C (-4°F).
- Standard configurations are 0-10V dimming to 1%. Base configurations are to 5%.
- To predict lumen output in emergency mode, multiply emergency pack wattage by luminaire efficacy, then by 1.10. Typical lumen output is 1200lm for EMLD, and 850lm for EMLED7.
- The GTD/SNSR option is used to bypass integrated sensor control in the event of utility power loss. Generator transfer requires installation in conjunction with a UL1008 listed device.
- Electromagnetic interference (EMI) compliant to FCC Title 47 Part 15 class A.
- Flicker and stroboscopic effect compliant to NEMA 77-2017.
- TM-21 predicted L70 lumen maintenance up to 67,000 hours per LED manufacturer LM-80 report.
- cULus (Base) or cETLus (Standard) listed to UL and CSA standards, suitable for damp locations.
- Base configurations are non-IC rated. Standard configurations are IC rated.
- FluxPanel luminaires are Designlights Consortium® qualified. Please see the DLC QPL list for exact catalog numbers ([www.designlights.org/QPL](http://www.designlights.org/QPL)).

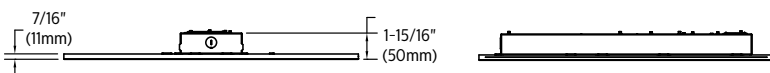
## General Notes

- All options factory installed.
- All accessories are field installed.
- Many luminaire components, such as reflectors, refractors, lenses, sockets, lampholders, and LEDs are made from various types of plastics which can be adversely affected by airborne contaminants. If sulfur based chemicals, petroleum based products, cleaning solutions, or other contaminants are expected in the intended area of use, consult factory for compatibility.
- Five year limited luminaire warranty includes LED boards and driver. Visit [www.signify.com/warranties](http://www.signify.com/warranties) for complete warranty information.

## Interact Pro (IAP)

- Interact Pro brings the power of connected lighting to small and medium businesses without the complexity usually associated with connected lighting.
- Interact Pro includes an app, a portal and a broad portfolio of wireless Luminaires, lamps and retrofit kits all working on the same system.
- Commissioning via Interact Pro App (Android or iPhone)
- Prepare commissioning remotely via Interact Pro portal
- Requires compatible Interact Pro Gateway and internet connectivity for commissioning
- Compatible with UID8451/10 ZigBee Greenpower wireless dimmer switch
- Compatible with wireless Occ sensor (OCC SENSOR IA CM IP42 WH 10/1) or wireless Day/Occ sensor (OCC MULTI SENSOR IA CM WH 10/1)
- Interact Pro sensor attaches to adjacent t-bar, signal propagation from above ceiling
- For more information on Interact Pro visit: [www.interact-lighting.com/pro](http://www.interact-lighting.com/pro)
- For more information on Interact Ready visit: [www.philips.com/interact-ready](http://www.philips.com/interact-ready)

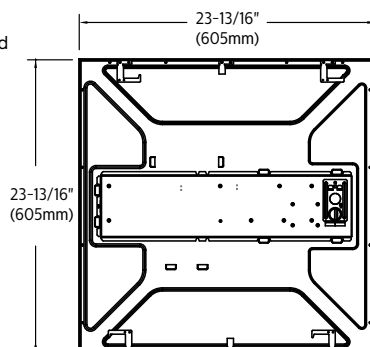
## Dimensions



**Note:** Base configurations are 1-15/16" deep. Standard configurations are 2-1/8" deep.

Emergency driver box shown is 20.5" (521mm) long.

Standard non-EM driver box is 10.5" (267mm) long oriented 90° in tabs shown.



## Energy data

Luminaire	Catalog Number	Input Power	Efficacy
2x2 Standard	2FXP30L840	27	108
	2FXP38L840	36	105
	2FXP45L840	42	104
2x2 Base	2FXP38B840	32	113

# 2FXP FluxPanel LED recessed 2x2

Up to 4500 lumens

## Photometry

### 2x2 FluxPanel LED, 3800 nominal delivered lumens 3500K

LER - 110

Catalog No.	2FXP38B835-2-DS-UNV-DIM	Candlepower				Light Distribution			Average Luminance			
		Angle	End	45	Cross	Degrees	Lumens	% Luminaire	Angle	End	45°	Cross
Test No.	38552	0	1253	1250	1254	0-30	975	27.0	45	3841	3745	3722
S/MH	1.2	5	1246	1241	1243	0-40	1600	44.3	55	3692	3558	3514
Lamp Type	LED	15	1203	1193	1193	0-60	2839	78.7	65	3214	3029	2955
Lumens/Lamp	3607	25	1117	1103	1101	0-90	3574	99.1	75	2760	2445	2309
Input Watts	33	35	992	975	971	0-180	3607	100.0	85	2248	1581	1230
		45	836	815	810							
		55	652	628	620							
		65	418	394	384							
		75	220	195	184							
		85	60	42	33							
		95	5	5	5							
		05	5	5	5							
		115	5	5	5							
		125	5	5	5							
		135	6	6	6							
		145	6	6	6							
		155	6	6	6							
		165	6	6	6							
		175	6	6	6							

Comparative yearly lighting energy cost per 1000 lumens - **\$2.18** based on 3000 hrs. and \$.08 pwr KWH.

The photometric results were obtained in the Day-Brite laboratory which is NVLAP accredited by the National Institute of Standards and Technology.

Photometric values based on test performed in compliance with LM-79.

Coefficients of Utilization												
EFFECTIVE FLOOR CAVITY REFLECTANCE 20 PER (pfc=0.20)												
pcc	80			70			50					
pw	70	50	30	70	50	30	50	30	50	30		
RCR												
0	118	118	118	115	115	115	111	111	111	111		
1	109	104	98	106	101	96	96	93	96	93		
2	98	90	83	95	88	81	84	79	84	79		
3	90	79	70	86	78	69	75	68	75	68		
4	81	69	60	80	68	60	66	58	66	58		
5	76	63	54	72	61	53	58	52	58	52		
6	69	56	46	68	55	46	54	46	54	46		
7	65	51	41	63	50	41	48	40	48	40		
8	59	46	38	58	46	38	45	36	45	36		
9	56	42	34	55	41	34	40	34	40	34		
10	53	39	32	51	39	30	38	30	38	30		

### 2x2 FluxPanel LED, 3800 nominal delivered lumens 4000K

LER - 113

Catalog No.	2FXP38B840-2-DS-UNV-DIM	Candlepower				Light Distribution			Average Luminance			
		Angle	End	45	Cross	Degrees	Lumens	% Luminaire	Angle	End	45°	Cross
Test No.	38553	0	1265	1265	1265	0-30	984	27.2	45	3880	3791	3762
S/MH	1.2	5	1260	1256	1254	0-40	1613	44.6	55	3718	3601	3564
Lamp Type	LED	15	1217	1207	1207	0-60	2864	79.2	65	3222	3076	3025
Lumens/Lamp	3618	25	1129	1115	1111	0-90	3617	100.0	75	2722	2511	2455
Input Watts	32	35	1003	985	981	0-180	3618	100.0	85	1782	1607	1544
		45	844	825	819							
		55	656	636	629							
		65	419	400	393							
		75	217	200	196							
		85	48	43	41							

Comparative yearly lighting energy cost per 1000 lumens - **\$2.12** based on 3000 hrs. and \$.08 pwr KWH.

The photometric results were obtained in the Day-Brite laboratory which is NVLAP accredited by the National Institute of Standards and Technology.

Photometric values based on test performed in compliance with LM-79.

Coefficients of Utilization												
EFFECTIVE FLOOR CAVITY REFLECTANCE 20 PER (pfc=0.20)												
pcc	80			70			50					
pw	70	50	30	70	50	30	50	30	50	30		
RCR												
0	118	118	118	115	115	115	111	111	111	111		
1	109	104	100	106	102	97	96	93	96	93		
2	98	91	83	95	89	81	84	80	84	80		
3	90	79	70	88	78	69	75	68	75	68		
4	81	69	60	80	68	60	66	58	66	58		
5	76	63	54	73	61	53	59	52	59	52		
6	69	56	47	68	56	46	54	46	54	46		
7	65	51	41	63	50	41	48	40	48	40		
8	59	46	38	58	46	38	45	36	45	36		
9	56	42	34	55	41	34	40	34	40	34		
10	53	40	32	51	39	30	38	30	38	30		

The information presented in this document is not intended as any commercial offer and does not form part of any quotation or contract.

