

# Day-Brite

## CFI

by Signify

### Recessed

### FluxPanel LED 2x4

Up to 6000 lumens



Day-Brite/CFI FluxPanel LED recessed is a highly versatile luminaire designed to provide smooth lighting gradient on the lens surface and ease of installation. Available for use in recessed, suspended, and surface mount orientation, FluxPanel is ideal for general lighting applications such as open office, schools, healthcare, and retail.

Project: \_\_\_\_\_  
 Location: \_\_\_\_\_  
 Cat.No: \_\_\_\_\_  
 Type: \_\_\_\_\_  
 Lamps: \_\_\_\_\_ Qty: \_\_\_\_\_  
 Notes: \_\_\_\_\_

### Ordering guide – Standard configurations available with all choices, unless otherwise noted. Base configurations selections indicated by blue.

Example: 2FXP43L840-4-DS-UNV-DIM-EMLED7

Width	Family	Lumens	Colour	Length	Diffuser	Voltage	Driver	Options <sup>2</sup>
2	FXP		-	4	DS	-	-	
2	2' FXP FluxPanel	<u>Base configuration<sup>5</sup></u> <b>42B</b> 4200 nominal delivered lumens  Standard configurations <sup>4</sup> <b>38L</b> 3800 nominal delivered lumens <b>43L</b> 4300 nominal delivered lumens <b>48L</b> 4800 nominal delivered lumens <b>54L</b> 5400 nominal delivered lumens <b>60L</b> 6000 nominal delivered lumens	835 80 CRI, 3500K 840 80 CRI, 4000K 850 80 CRI, 5000K	4 4'	DS Diffuse (smooth)	UNV Universal Voltage, 120-277 volt 120 <sup>3</sup> 120V 277 <sup>3</sup> 277V 347 347V	DIM <sup>1,7</sup> 0-10V dimming SDIM <sup>4</sup> Step dimming to 40% input power XDIM <sup>3,4</sup> MarkX phase dimming	F1 3/8" flex, 3 wire 18 gauge 6' F2 3/8" flex, 4 wire 18 gauge 6' F1/D 3/8" twin flex, 3 wire 18 gauge 6' for dimmable luminaires F2/5W 3/8" single flex, 5 wire 18 gauge 6' for dimmable luminaires F2/6W 3/8" single flex, 6 wire 18 gauge 6' or dimmable and emergency luminaires GLR Fusing, fast blow GTD/SNSR <sup>9,10,11</sup> UL924 listed Bodine GTD installed between driver & sensor EMLED <sup>11</sup> Bodine BSL310 10W battery pack EMLED7 <sup>11</sup> Bodine BSL17 7W battery pack DSC Quick driver disconnect CHIC Chicago Plenum rated IAP <sup>7</sup> Integral Interact Pro RF sensor, enables network lighting control

- 0-10v dimming to 1% for Standard, and 10% for Base configurations
- All options available with Standard configurations only
- XDIM requires 120V or 277V specification
- Available with 54L package or lower
- Standard configurations are packaged one unit per carton
- UNV base configurations are packaged two units per carton, and sold in even quantities only
- Specify DIM driver option only
- Integral IAP option dimmable to 5% via wireless wall switch. See page 2
- Must be installed in conjunction with a UL1008 device.
- Must be ordered with an integral controls options.
- Not available with 347V option.

### Accessories (order separately)

- FMA24 – 2'x4' "F" mounting frame for NEMA "F" mounting
- FSK24 – 2'x4' surface mount field installation kit (factory welded seams)
- FSF24 – 2'x4' surface mount field assembly kit (field assembled)
- 4PCH48-1-SC – adjustable cable hanger kit for 2x4 with straight white 18/3 cord (two-1 powered, 1 non-powered)
- 4PCH48-1D-SC – adjustable cable hanger kit for 2x4 with straight white 18/5 cord for dimming (two-1 powered, 1 non-powered)

## Light to go

Compatible configurations

Luminaire

- 2FXP42B8504DSUNVDIM
- 2FXP42B8404DSUNVDIM
- 2FXP42B8354DSUNVDIM

every job matters



interact ready.

# 2FXP FluxPanel LED recessed 2x4

## Up to 6000 lumens

### Application

- 7/16" ultra shallow light guide profile.
- Overall 1-15/16" deep luminaire, including driver box, provides minimal intrusion into the plenum space.
- Even distribution of light on the lens provides exceptionally low glare gradient minimizing distractions at the ceiling plane.
- General light distribution creates uniform horizontal and vertical illuminance on the work plane and limits scalloping on the walls.
- Excellent consistency of correlated color temperature (CCT) per ANSI C78.377.
- CRI 80 minimum color rendering with balanced spectrum.
- Designed for use with standard Grid (NEMA "G") or Narrow Grid (NEMA "NFG") ceiling T-bars. Drywall or plaster application require use with the FMA24 "F" mounting frame accessory (sold and shipped separately).
- Accessory field install kits available for surface (FSK24) and suspended (4PCH48) mounting.

### Construction/Finish

- Extruded aluminum frame post painted with gloss white enamel finish. Corners are precision welded for seamless aesthetic.
- Emergency options available with factory installed battery pack and remote field installed test switch/light with cover plate.
- Die formed driver box with standard access plate for ease of wiring, provides tool-free access to driver(s) from above.
- Edge lit LED arrays provide highly efficient and unpixelated transfer of light to the light guide panel.
- Integral clips accommodate definitive attachment to T-bar grid for recessed applications.
- Die formed surface box accessory kit post painted gloss white enamel.

- Suspended accessory kits available, include cables, luminaire mounting clips, and adjustable connectors.
- All Base configurations are shipped two luminaires per master carton. Standard configurations are one luminaire per master carton.

### Enclosure

- Acrylic diffuser provides visual comfort and high efficiency.
- Flat opal lens is easy to clean and provides a uniform aesthetic on the ceiling plane.
- Tight enclosure assembly impedes ingress of dust and insects.

### Electrical

- Up to 111 lm/W efficacy.
- High efficiency Advance driver featuring high power factor (>0.90), 120-277V 60/50Hz, and less than 15% THD.
- Minimum start temperature -20°C (-4°F).
- Standard configurations are 0-10V dimming to 1%. Base configurations are to 5%.
- To predict lumen output in emergency mode, multiply emergency pack wattage by luminaire efficacy, then by 1.10. Typical lumen output is 1200lm for EMLLED, and 850lm for EMLED7.
- The GTD/SNSR option is used to bypass integrated sensor control in the event of utility power loss. Generator transfer requires installation in conjunction with a UL1008 listed device.
- Electromagnetic interference (EMI) compliant to FCC Title 47 Part 15 class A.
- Flicker and stroboscopic effect compliant to NEMA 77-2017.
- TM-21 predicted L70 lumen maintenance up to 84,000 hours per LED manufacturer LM-80 report.
- cULus (Base) or cETLus (Standard) listed to UL and CSA standards, suitable for damp locations.
- Base configurations are non-IC rated. Standard configurations are IC rated.

- FluxPanel luminaires are Designlights Consortium® qualified. Please see the DLC QPL list for exact catalog numbers ([www.designlights.org/QPL](http://www.designlights.org/QPL)).

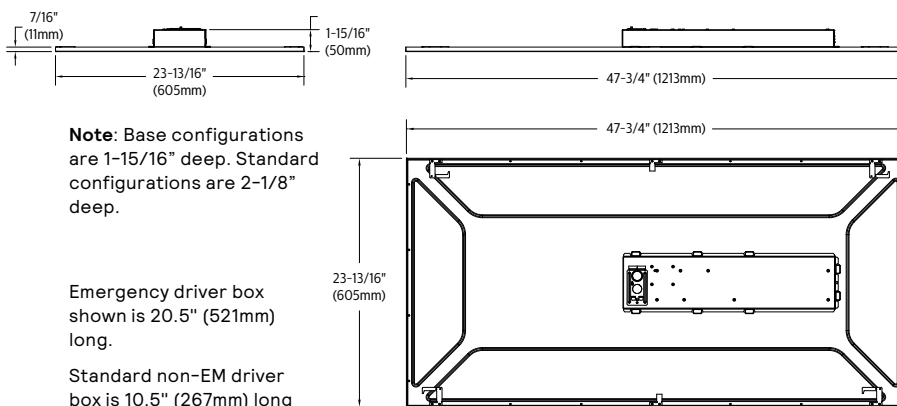
### General Notes

- All options factory installed.
- All accessories are field installed.
- Many luminaire components, such as reflectors, refractors, lenses, sockets, lampholders, and LEDs are made from various types of plastics which can be adversely affected by airborne contaminants. If sulfur based chemicals, petroleum based products, cleaning solutions, or other contaminants are expected in the intended area of use, consult factory for compatibility.
- Five year limited luminaire warranty includes LED boards and driver. Visit [www.signify.com/warranties](http://www.signify.com/warranties) for complete warranty information.

### Interact Pro (IAP)

- Interact Pro brings the power of connected lighting to small and medium businesses without the complexity usually associated with connected lighting.
- Interact Pro includes an app, a portal and a broad portfolio of wireless Luminaires, lamps and retrofit kits all working on the same system.
- Commissioning via Interact Pro App (Android or iPhone)
- Prepare commissioning remotely via Interact Pro portal
- Requires compatible Interact Pro Gateway and internet connectivity for commissioning
- Compatible with UID8451/10 ZigBee Greenpower wireless dimmer switch
- Compatible with wireless Occ sensor (OCC SENSOR IA CM IP42 WH 10/1) or wireless Day/Occ sensor (OCC MULTI SENSOR IA CM WH 10/1)
- Interact Pro sensor attaches to adjacent t-bar, signal propagation from above ceiling
- For more information on Interact Pro visit: [www.interact-lighting.com/pro](http://www.interact-lighting.com/pro)
- For more information on Interact Ready visit: [www.philips.com/interact-ready](http://www.philips.com/interact-ready)

### Dimensions



**Note:** Base configurations are 1-15/16" deep. Standard configurations are 2-1/8" deep.

Emergency driver box shown is 20.5" (521mm) long.

Standard non-EM driver box is 10.5" (267mm) long

### Energy data

Luminaire	Catalog Number	Input Power	Efficacy
2x4 Standard	2FXP38L840	33	109
	2FXP43L840	39	107
	2FXP48L840	47	105
	2FXP54L840	51	104
	2FXP60L840	58	101
2x4 Base	2FXP42B840	38	112

# 2FXP FluxPanel LED recessed 2x4

Up to 6000 lumens

## Photometry

### 2x4 FluxPanel LED, 4200 nominal delivered lumens 3500K

### LER - 108

<b>Catalog No.</b>	2FXP42B835-4-DS-UNV-DIM	<b>Candlepower</b>				<b>Light Distribution</b>			<b>Average Luminance</b>			
<b>Test No.</b>	38280	<b>Angle</b>	<b>End</b>	<b>45</b>	<b>Cross</b>	<b>Degrees</b>	<b>Lumens</b>	<b>% Luminaire</b>	<b>Angle</b>	<b>End</b>	<b>45°</b>	<b>Cross</b>
<b>S/MH</b>	1.3	0	1444	1444	1444	0-30	1122	27.2	45	2135	2137	2132
<b>Lamp Type</b>	LED	5	1430	1439	1447	0-40	1839	44.7	55	2062	2058	2054
<b>Lumens/Lamp</b>	4116	15	1379	1389	1395	0-60	3260	79.2	65	1925	1923	1864
<b>Input Watts</b>	38	25	1284	1288	1292	0-90	4115	100.0	75	1544	1555	1563
		35	1144	1148	1146	0-180	4116	100.0	85	1048	1187	1288
		45	967	968	966							
		55	758	756	755							
		65	521	521	505							
		75	256	258	259							
		85	59	66	72							

Comparative yearly lighting energy cost per 1000 lumens - **\$2.22** based on 3000 hrs. and \$.08 pwr KWH.

The photometric results were obtained in the Day-Brite laboratory which is NVLAP accredited by the National Institute of Standards and Technology.

Photometric values based on test performed in compliance with LM-79.

EFFECTIVE FLOOR CAVITY REFLECTANCE 20 PER (pfc=0.20)												
pcc	80			70			50					
pw	70	50	30	70	50	30	70	50	30	70	50	30
RCR												
0	118	118	118	115	115	115	111	111	111	111	111	111
1	109	104	100	106	102	97	96	93	96	93	96	93
2	98	91	83	95	89	81	84	80	84	80	84	80
3	90	79	70	88	78	69	75	68	75	68	75	68
4	81	69	61	80	68	60	67	58	67	58	67	58
5	76	63	54	73	61	53	59	52	59	52	59	52
6	69	56	47	68	56	46	54	46	54	46	54	46
7	65	51	41	63	50	41	48	40	48	40	48	40
8	59	46	38	58	46	38	45	36	45	36	45	36
9	56	42	34	55	41	34	40	34	40	34	40	34
10	53	40	32	52	39	30	38	30	38	30	38	30

### 2x4 FluxPanel LED, 4200 nominal delivered lumens 4000K

### LER - 112

<b>Catalog No.</b>	2FXP42B840-4-DS-UNV-DIM	<b>Candlepower</b>				<b>Light Distribution</b>			<b>Average Luminance</b>			
<b>Test No.</b>	38281	<b>Angle</b>	<b>End</b>	<b>45</b>	<b>Cross</b>	<b>Degrees</b>	<b>Lumens</b>	<b>% Luminaire</b>	<b>Angle</b>	<b>End</b>	<b>45°</b>	<b>Cross</b>
<b>S/MH</b>	1.3	0	1482	1482	1482	0-30	1154	27.2	45	2178	2183	2181
<b>Lamp Type</b>	LED	5	1467	1476	1484	0-40	1894	44.6	55	2105	2103	2096
<b>Lumens/Lamp</b>	4245	15	1420	1427	1434	0-60	3361	79.2	65	1961	1961	1908
<b>Input Watts</b>	38	25	1321	1329	1332	0-90	4243	100.0	75	1572	1586	1596
		35	1179	1183	1184	0-180	4245	100.0	85	1070	1208	1309
		45	998	1000	999							
		55	782	781	779							
		65	537	537	522							
		75	264	266	268							
		85	60	68	74							

Comparative yearly lighting energy cost per 1000 lumens - **\$2.14** based on 3000 hrs. and \$.08 pwr KWH.

The photometric results were obtained in the Day-Brite laboratory which is NVLAP accredited by the National Institute of Standards and Technology.

Photometric values based on test performed in compliance with LM-79.

EFFECTIVE FLOOR CAVITY REFLECTANCE 20 PER (pfc=0.20)												
pcc	80			70			50					
pw	70	50	30	70	50	30	70	50	30	70	50	30
RCR												
0	118	118	118	115	115	115	111	111	111	111	111	111
1	109	104	100	106	102	97	96	93	96	93	96	93
2	98	91	83	95	89	81	84	80	84	80	84	80
3	90	79	70	88	78	69	75	68	75	68	75	68
4	81	69	61	80	68	60	66	58	66	58	66	58
5	76	63	54	73	61	53	59	52	59	52	59	52
6	69	56	47	68	56	46	54	46	54	46	54	46
7	65	51	41	63	50	41	48	40	48	40	48	40
8	59	46	38	58	46	38	45	36	45	36	45	36
9	56	42	34	55	41	34	40	34	40	34	40	34
10	53	40	32	51	39	30	38	30	38	30	38	30

The information presented in this document is not intended as any commercial offer and does not form part of any quotation or contract.

