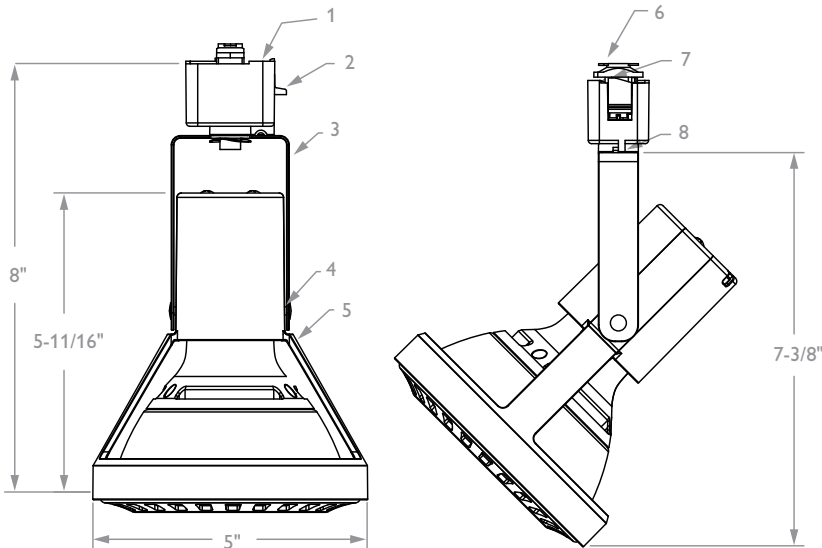




Project: \_\_\_\_\_  
 Location: \_\_\_\_\_  
 Cat.No: \_\_\_\_\_  
 Type: \_\_\_\_\_  
 Lamps: \_\_\_\_\_ Qty: \_\_\_\_\_  
 Notes: \_\_\_\_\_



### Description

Minimal form specifically designed to create close fit with LED lamps, with cleanly miniaturized detailed yoke and ring-shaped lampholder. Front re-lamping for easy maintenance. Unit adjusts horizontally up to 350°, vertically up to 90°.

### Ordering guide

Catalog No.		Finish	
9038N	PAR38 gimbal ring	WH	Matte White
		BK	Matte Black
		AL	Aluminum

**Lamping:** 120W PAR38 maximum. Order separately.  
**Track:** Mounting compatible with all Lytespan Track Systems.

### Features

- 1 Lytespan attachment fitting:** molded polycarbonate integral color fitter twists onto track and locks on.
- 2 Push tab:** molded polycarbonate, detaches unit
- 3 Yoke:** 3/4" x .05" steel
- 4 Tension spring washer**
- 5 Ring and socket cup:** molded polycarbonate
- 6 Moveable brass contact:** extends connection to 2nd circuit in Advent Lytespan Track
- 7 Polarity Keyway**
- 8 Pivot Mounting:** tensioned 350° stop

### Finish

Black and white finished in molded PBT. Aluminum finish in wet paint. Matte White, also available in Black and Aluminum.

### Material

PBT material to allow scratch free finish, more precise sizing to fit lamps, and miniaturized design.

### Electrical

Porcelain socket, medium base, nickel-plated screw shell, no. 18 braided SF-1 leads with silicon sleeving.

### Labels

cULus

### Leadtime

All items are spec or service smart.

## Light to go

Compatible configurations

Luminaire

9038NWH

every job matters

