



OmniSpot LED cylinder is designed to meet the most demanding retail lighting challenges through sleek and discrete aesthetics while providing a high center beam candlepower and efficacy performance. OmniSpot LED cylinder allows for less than 1" of space between the track head and track in the ceiling.

Project: \_\_\_\_\_  
 Location: \_\_\_\_\_  
 Cat.No: \_\_\_\_\_  
 Type: \_\_\_\_\_  
 Lamps: \_\_\_\_\_ Qty: \_\_\_\_\_  
 Notes: \_\_\_\_\_

### Fixture

example: LC10930WTECW

Series	Adapters	Lumens	CRI/CCT	Finishes	Dimming	Options
<input type="checkbox"/> <b>LC</b>	<input type="checkbox"/>	<input type="checkbox"/> <b>10</b>	<input type="checkbox"/>	<input type="checkbox"/>	<input type="checkbox"/> <b>TE</b>	<input type="checkbox"/>
<b>LC</b> OmniSpot LED cylinder	— Lightolier <b>H</b> Halo <b>J</b> Juno <b>C</b> Capri <sup>1</sup> <b>P</b> Prospec <sup>1</sup> <b>GT</b> Global TEK	<b>10</b> 1000lm	<b>827</b> 80 CRI/2700K <b>830</b> 80 CRI/3000K <b>835</b> 80 CRI/3500K <b>840</b> 80 CRI/4000K <b>927</b> 90 CRI/2700K <b>930</b> 90 CRI/3000K <b>930</b> 90 CRI/3000K	<b>AL</b> Aluminum <sup>1</sup> <b>BK</b> Matte Black <b>W</b> Matte White See above finishes	<b>TE</b> Trailing edge (ELV) <b>TE</b> Trailing edge (ELV)	— None (leave blank) <b>CW</b> CrispWhite <b>PC</b> PremiumColor <sup>2</sup>

### Reflector

example: LLMRNS

Series	Beam spreads (ordered separately)
<input type="checkbox"/> <b>LLM</b>	<input type="checkbox"/>
<b>LLM</b> Reflector for 1000lm	<b>RNS</b> 12° Narrow Spot <sup>2</sup> <b>RS</b> 18° Spot <b>RNF</b> 24° Narrow Flood <b>RF</b> 36° Flood

### Accessories<sup>3</sup>

example: LC10AHWH

Series	Finishes/Types
<input type="checkbox"/>	<input type="checkbox"/>
<b>LC10AH</b> Accessory holder <sup>4</sup> <b>LC10SN</b> Snoot <b>7472</b> Hex cell (matte black) <sup>5</sup> <b>LC10</b> Diffusion film	<b>WH</b> Matte White <b>BK</b> Matte Black <b>AL</b> Aluminum <b>SY</b> Symmetrical Spread <b>SF</b> Soft Focus <b>LS</b> Linear Spread <b>FR</b> Frosted Etched

- Capri (C) and Prospec (P) adapters are not available in aluminum finish.
- Beam spread is 16° when PremiumColor is used with LLMRNS.
- Aperture ring on the fixture can hold a maximum of 1 film and 1 snoot.
- Accessory holder can hold a maximum of 1 hex cell, 1 film, and 1 snoot.
- Hex cell needs to be ordered with an Accessory holder.

### Features

- LED board:** COB LED.
- Integrated housing heat sink:** Impact extrusion aluminum maintains LED junction temperature for min of 50,000 hr lifetime (pending) at 70% lumen maintenance.
- Track attachment fitting:** Locking lever for mechanical/electrical connection.
- Aperture Ring:** Included with luminaire. Die cast aluminum, powder coat to match housing. Tool-less access to reflector and install accessories. Accepts a maximum of 1 film and 1 snoot.
- Mounting arm:** Die-cast aluminum.
- Movable brass contact:** Brass extends for connection to 2nd circuit (Advent track only).
- Finishes:** Powder coated.
- Pivot mounts:** Allows for 350° horizontal. Vertical rotation of +/- 90° from vertical aim to the floor.
- Interchangeable optics:** High efficiency metalized coating providing up to 98% total reflectivity for optimal light quality, beam control and visual punch. Lens attached to reflector which protects reflector finish and LEDs from contamination. Reflectors sold separately, and offer tool-less install for quick field customization.
- CrispWhite:** Available in 90CRI/3000K only, the Lumileds 90CRI CrispWhite technology combines the warm, saturated colors of high CRI with crisp and vibrant whites. The small form factor and high quality of light make this an impactful option for retail display areas.
- PremiumColor:** Available in 90CRI/3000K only, provides vivid and robust colors that pop while maintaining a strong ambient white and bold black balance in any space. This LED technology is sure to add positive energy to varying application needs.

### Electrical (electronic power supply)

Input voltage: 120V, 60Hz    Input power: 12W  
 Efficacy: 98lm/W (nominal) @ 3000K  
 High power factor: >0.9    CRI: 80-85 (typical)

### Labels

cULus Listed. 5 year warranty.  
 ENERGY STAR® certified (except any configurations containing CrispWhite, PremiumColor, 80CRI 40K, or accessories).

## Light to go

Compatible configurations

Fixture

LC10830WTE

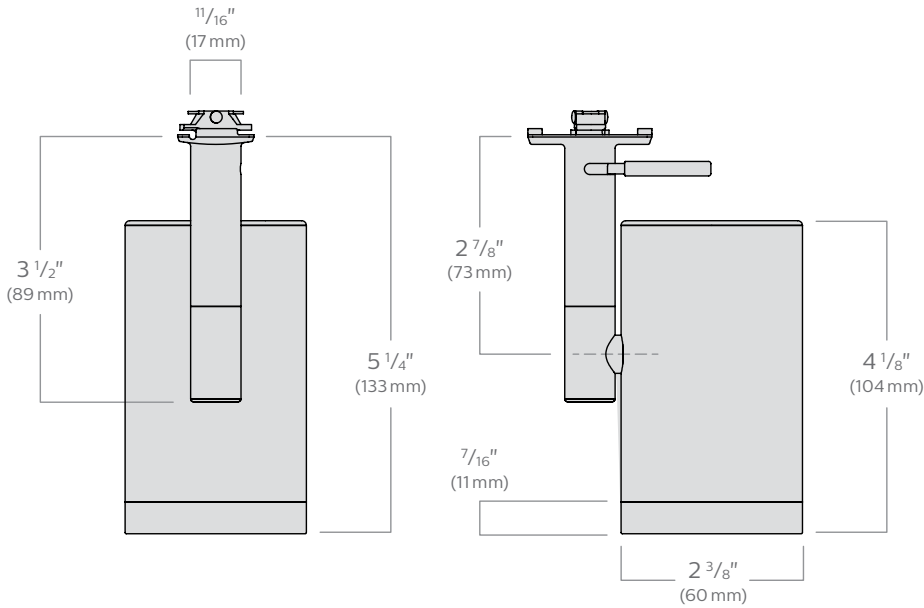
Reflector

LLMRNF

# LC10 OmniSpot LED

12W/1000lm

## Dimensions



## Dimming

**Trailing edge (ELV) dimming compatible**

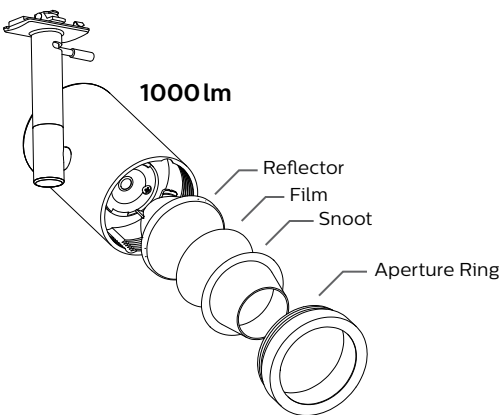
- SR400RPC120** Philips Sunrise (100 - 5%)
- SELV-300P** Lutron Skylark (100-7%)
- DVELV-300P** Lutron Diva (100-7%)
- 6615-P** Leviton Decora (100-12%)

## Mounting

Compatible with all Monopoint, Multipoint, recessed track, suspension track, as well as Basic, Advent and Radius track systems. Can be wall mounted vertically or horizontally. Cannot be used with extension wands.

	Beam spread (To 50% CBCP)	CBCP	Rated Life (Hrs.)
<b>LLMRNS</b> Narrow Spot	12°	14,160	50,000
<b>LLMRS</b> Spot	18°	7,103	50,000
<b>LLMRNF</b> Narrow Flood	24°	4,891	50,000
<b>LLMRF</b> Flood	36°	2,680	50,000

## Accessories (ordered separately)



**Hex cell louvers**  
7472 = 2" dia.



Only available in matte black. Must order the accessory holder to hold the hex cell louver.

**Snoot**  
LC10SN = 2" dia.



**Diffusion/special films**  
LC10 = 2" dia.

-  **LS** Linear spread film
-  **FR** Frosted etched film
-  **SF** Soft focus film
-  **SY** Symmetrical spread film

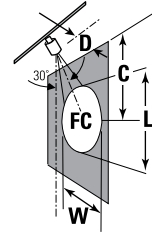
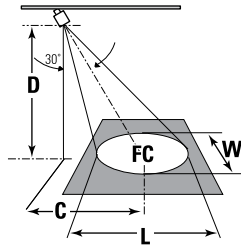
# LC10 OmniSpot LED

12W/1000lm

## Aiming angles

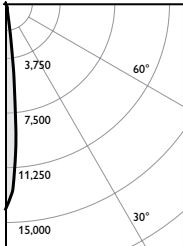
L and W are the outer points where the candle power drops to 50% of the maximum. FC are the initial footcandles at the center of the beam. Data shown is for 3000K, use the table on the right for CRI/CCT adjustment factors.

L Beam length  
D Distance  
W Beam Width  
A Aiming Angle  
FC Footcandles  
C Distance to center beam  
CBCP Center Beam Candlepower.



## Adjustment factors

CRI	CCT	Multiplier
80	2700K	0.95
	3000K	1.00
	3500K	1.02
	4000K	1.03
90	2700K	0.79
	3000K	0.82
90CW	3000K	0.7
90PC	3000K	0.76



**Fixture: LC10830ALTE**  
**Reflector: LLMRNS**

CCT<sup>1</sup>: 3000K  
Output lumens: 1083 lms  
Input watts<sup>2</sup>: 11.1 W  
Efficacy: 97.6 lm/w  
CRI: 80 min  
CBCP: 14,160 cd  
Beam Angle: 12°  
Field Angle: 24°  
Report no<sup>3</sup>: 924GFR

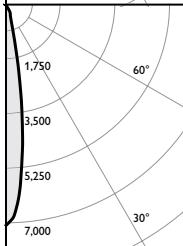
## Narrow Spot

### 30° Horizontal Aiming

Distance		Beam		
D	C	F.C.	L	W
6	3.5	255	1.7	1.5
8	4.6	144	2.3	1.9
10	5.8	92	2.8	2.4
12	6.9	64	3.4	2.9

### 30° Horizontal Aiming

Distance		Beam		
D	C	F.C.	L	W
2	3.5	443	1.7	0.8
3	5.2	197	2.6	1.3
4	6.9	111	3.5	1.7
5	8.7	71	4.3	2.1



**Fixture: LC10830ALTE**  
**Reflector: LLMRNS**

CCT<sup>1</sup>: 3000K  
Output lumens: 1068 lms  
Input watts<sup>2</sup>: 11.1 W  
Efficacy: 96.2 lm/w  
CRI: 80 min  
CBCP: 7,103 cd  
Beam Angle: 18°  
Field Angle: 37°  
Report no<sup>3</sup>: 923GFR

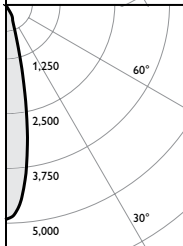
## Spot

### 30° Horizontal Aiming

Distance		Beam		
D	C	F.C.	L	W
6	3.5	128	2.6	2.2
8	4.6	72	3.4	2.9
10	5.8	46	4.3	3.7
12	6.9	32	5.1	4.4

### 30° Horizontal Aiming

Distance		Beam		
D	C	F.C.	L	W
2	3.5	222	2.7	1.3
3	5.2	99	4.1	1.9
4	6.9	55	5.5	2.5
5	8.7	36	6.9	3.2



**Fixture: LC10830ALTE**  
**Reflector: LLMRNF**

CCT<sup>1</sup>: 3000K  
Output lumens: 1057 lms  
Input watts<sup>2</sup>: 11.1 W  
Efficacy: 95.2 lm/w  
CRI: 80 min  
CBCP: 4,891 cd  
Beam Angle: 24°  
Field Angle: 46°  
Report no<sup>3</sup>: 922GFR

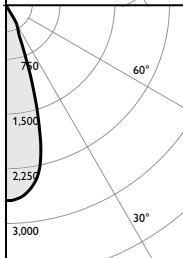
## Narrow Flood

### 30° Horizontal Aiming

Distance		Beam		
D	C	F.C.	L	W
6	3.5	88	3.3	2.8
8	4.6	50	4.4	3.8
10	5.8	32	5.5	4.7
12	6.9	22	6.6	5.6

### 30° Horizontal Aiming

Distance		Beam		
D	C	F.C.	L	W
2	3.5	153	3.7	1.6
3	5.2	68	5.6	2.4
4	6.9	38	7.4	3.3
5	8.7	24	9.3	4.1



**Fixture: LC10830ALTE**  
**Reflector: LLMRF**

CCT<sup>1</sup>: 3000K  
Output lumens: 1050 lms  
Input watts<sup>2</sup>: 11.1 W  
Efficacy: 94.6 lm/w  
CRI: 80 min  
CBCP: 2,680 cd  
Beam Angle: 36°  
Field Angle: 62°  
Report no<sup>3</sup>: 921GFR

## Flood

### 30° Horizontal Aiming

Distance		Beam		
D	C	F.C.	L	W
6	3.5	48	5.4	4.5
8	4.6	27	7.2	6.0
10	5.8	17	9.0	7.5
12	6.9	12	10.8	9.0

### 30° Horizontal Aiming

Distance		Beam		
D	C	F.C.	L	W
2	3.5	84	7.6	2.6
3	5.2	37	11.4	3.9
4	6.9	21	15.2	5.2
5	8.7	13	19.0	6.5

1. Correlated Color Temperature within specs as defined in ANSI\_NEMA\_ANSI C78.377-2008: Specifications for the Chromaticity of Solid State Lighting Products.  
2. Wattage controlled to within +/- 5%.  
3. Tested using absolute photometry as specified in LM79: IESNA Approved Method for the Electrical and Photometric Measurements of Solid-State Lighting Products.

