



Stonco Dusk to Dawn LED generation 3 luminaire offers an economical solution with enhanced generation chip on board LED performance for general purpose area and security lighting. The luminaire can be direct mounted to vertical surfaces or mounted onto 1-1/2" O.D. arms. Arm is also available as an accessory ordered separately. A 120V NEMA twist lock photo cell is included as standard. This versatile luminaire easily retrofits onto existing arms and offers one of the most affordable and efficient energy saving solutions available.

Project: _____
 Location: _____
 Cat.No: _____
 Type: _____
 Lamps: _____ Qty: _____
 Notes: _____

Ordering guide

Example: **DTD-40-NW-G3-AR-5-TLRPC-1-GY3S**

Series	Wattage	LED Color - Generation	Mounting	Distribution	Controls	Voltage	Finish
DTD	40	NW-G3	AR	5	TLRPC	1	GY3S
DTD Dusk to Dawn LED	40 40W	NW-G3 Neutral White, 4000K 70 CRI, Generation 3	AR Arm Mount	5 Type 5	TLRPC Twist-lock receptacle w/photocell	1 120 Volts	GY3S Light Grey Smooth

Accessories (order separately)

DTDARMGY3S - Mounting arm with hardware

Housing

One piece die cast aluminum housing with integral arm mounting hub that can be direct mounted with lag bolts or fit onto 1 1/2" O.D. mounting arm.

Electrical

Driver efficiency (>90% standard). 120-277V Open/short circuit protection. RoHS compliant. Surge protector standard, 10KA per ANSI/IEEE C62.41.2.

LED Board and Array

42 LEDs. Color temperature 4000K +/-275K. CRI of 70 min. Metal core substrate.

Optical Lens System

Refractive design featuring prisms to spread light in a symmetrical Type 5 distribution.

Mounting

Standard luminaire mounts to vertical surface using 1/4" lag bolts or easily fits onto 1 1/2" O.D. round pipe/tube. Direct mount hardware provided as standard. Mounting arm with hardware available separately as an accessory.

Listings

cULus listed to the UL 1598 standard, suitable for Wet Locations. Suitable for use in ambients from -30° to 40°C (-22° to 104°F). Product is DesignLights Consortium® qualified.

Finish

Each standard color luminaire receives a fade and abrasion resistant, electrostatically applied, thermally cured, triglycidic isocyanurate (TGIC) textured polyester powder coat finish. Standard finish color is smooth light gray (GY3S).

Warranty

DTD LED luminaires feature a 5 year limited warranty. See signify.com/warranties for details.

Light to go

Compatible configurations

Luminaire

DTD40-NW-G3-AR-5-TLRPC-1-GY3S

Accessories

DTDARMGY3S

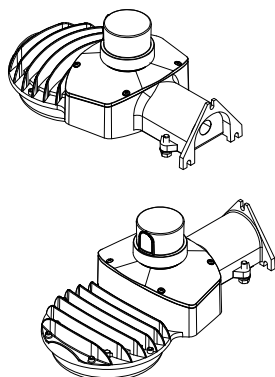
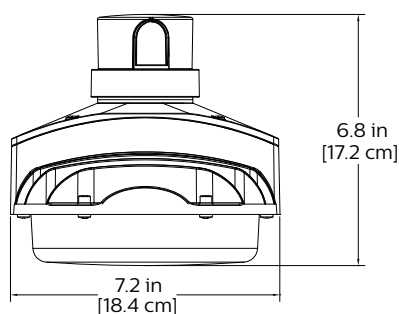
every job matters



DTD Dusk to Dawn LED gen 3

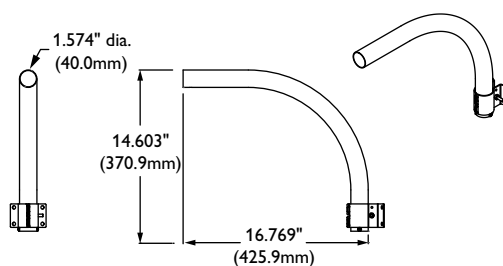
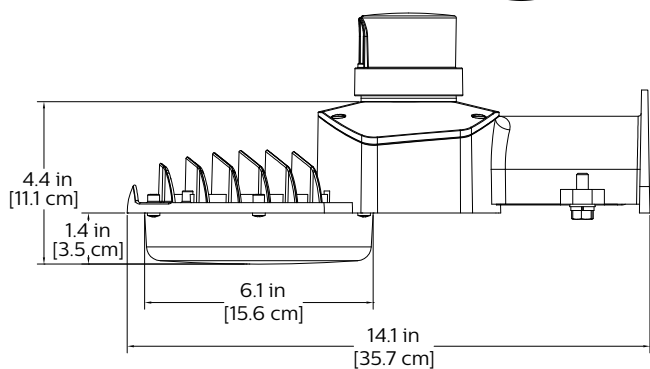
General purpose arm mount

Dimensions



Approximate luminaire weight (less arm) – 3.7lbs (1.7kg)

DTDARMGY3S – Arm accessory
(order separately)



LED Wattage and Lumen Values

Ordering Code	Total LEDs	LED Current (mA)	Color Temp. (K)	Average System Wattage	Lumen Output	Efficacy (LPW)	BUG Rating
DTD40-NW-G3-AR-5-TLRPC-1	42	1100	4000	40	4973	124	B2-U2-G1

Values from photometric tests performed in accordance with IESNA LM-79 and are representative of the configurations shown. Actual performance may vary due to installation and environmental variables, LED and driver tolerances, and field measurement considerations. It is highly recommended to confirm performance with a photometric layout.

LED Performance

Predicted Lumen Depreciation Data			
Ambient Temperature °C	System Current	L ₇₀ per TM21	Lumen Maintenance @ 50,000hrs
25	157mA	>36,000 hrs	87%

Predicted performance derived from LED manufacturer's data and engineering design estimates, based on IESNA LM-80 methodology. Actual experience may vary due to field application conditions. L70 is the predicted time when LED performance depreciates to 70% of initial lumen output. Calculated per IESNA TM21-11. Published L70 hours limited to 6 times actual LED test hours

The information presented in this document is not intended as any commercial offer and does not form part of any quotation or contract.

