



Stonco Garage and Canopy LED luminaire is exactly what you need when searching for durable, cost-effective lighting for parking garages, covered walkways and outdoor canopies. Compact and efficient, it has durable, weather tight construction and a rugged, UV-stabilized, frosted lens.

Project: _____

Location: _____

Cat.No: _____

Type: _____

Lamps: _____ Qty: _____

Notes: _____

Ordering guide

Example: **GC57-NW-G1-SM-5-8-BZ**

Luminaire	LED Color NW	Generation G1	Mounting SM	Distribution 5	Voltage 8	Finish BZ
GC20 Garage & Canopy LED 20W	NW Neutral White 4000K, 70CRI	G1 Generation 1	SM Surface Mount	5 Type 5 Symmetric	8 120-277VAC	BZ Bronze
GC40 Garage & Canopy LED 40W						
GC57 Garage & Canopy LED 57W						
GC88 Garage & Canopy LED 88W						

LED Wattage and Lumen Values

Neutral White Ordering Codes	Total LEDs	System Current (mA)	Color Temp.(K)	Average System Wattage ¹	Lumen Output ^{1,2}	Efficacy (LPW)
GC20-NW-G1-SM-5-8-BZ	1	480	4000	19	2071	110
GC40-NW-G1-SM-5-8-BZ	1	950	4000	37	4735	128
GC57-NW-G1-SM-5-8-BZ	1	1400	4000	57	6322	111
GC88-NW-G1-SM-5-8-BZ	1	1535	4000	87	10,519	121

1. Wattage and lumen output may vary by +/-8% due to LED manufacturer forward volt specification and ambient temperature.
2. Lumen values based on photometric tests performed in compliance with IESNA LM-79.

NOTE: Contact outdoorlighting.applications@philips.com for additional photometric tests or information.

Predicted Lumen Depreciation Data

Ambient Temperature °C	System Current	L ₇₀ per TM21 ^{1,2}	Lumen Maintenance @ 60,000hrs
25°C	up to 1400 mA	>60,000	80%

1. L70 is the predicted time when LED performance depreciates to 70% of initial lumen output.
2. Calculated per IESNA TM 21-11. Published L70 hours limited to 6 times actual LED test hours.

Light to go

Compatible configurations

Luminaire

GC40-NW-G1-SM-5-8-BZ
GC57-NW-G1-SM-5-8-BZ
GC20-NW-G1-SM-5-8-BZ
GC88-NW-G1-SM-5-8-BZ

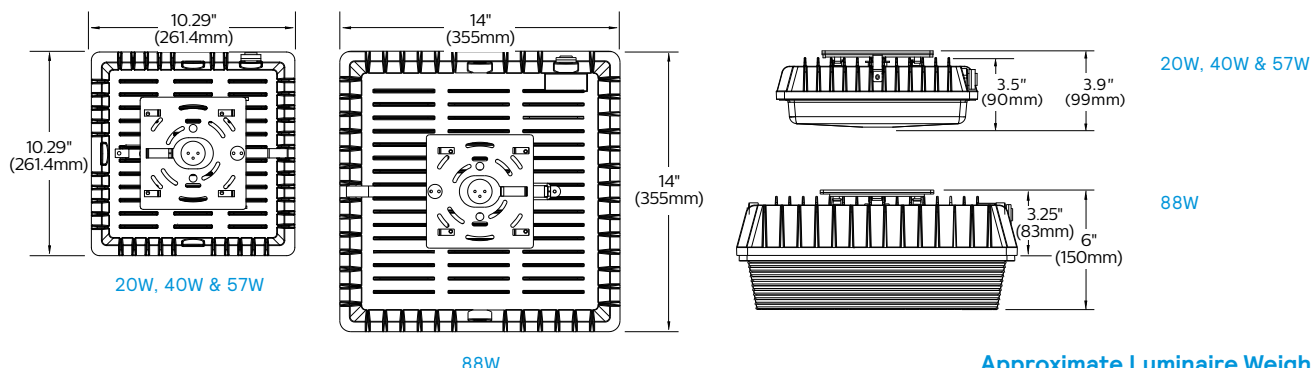
every job matters



GC20/40/57/88 LED Garage & canopy luminaire

20-88W

Dimensions



Approximate Luminaire Weight

20W, 40W & 57W: 5.1 lbs (2.31 Kg)

88W: 8.2 lbs (3.72 Kg)

Specifications

Housing and Heat Sink

Single piece die cast Aluminum alloy. Housing also acts as a heat sink, designed to ensure high efficacy and superior cooling by natural convection. Air flow pattern always close to LEDs and driver optimizing their efficiency and life. Product does not use any cooling device with moving parts (only passive cooling).

Mounting

Die formed 16 ga. galvanized steel E-Z hang plate is supplied for mounting to a recessed or surface-mounted 4" (10.16 cm) junction box (by others) – flush ceiling mount to a recessed junction box, or direct mount to a surface-mounted junction box. Integral hanger on the plate supports the luminaire during wiring. Single screw secures luminaire for quick and easy installation. For pendant mounting, casting has integral 3/4"- 14 NPS tapped hole on top (remove plug) for direct mounting onto rigid 3/4" pendant (by others). Casting also has multiple integral 1/2"- 14 NPS tapped holes with plugs on the sides.

Lens

UV stabilized polycarbonate lens with extruded silicone gasket surrounding the entire perimeter of the LED light engine and electronics compartment providing an IP65 seal. Lens secured with tamper-resistant screws. Lens frosted to help reduce glare.

Light Engine

Composed of 3 main components: LED Module / Optical System / Driver. Electrical components are RoHS compliant. LEDs tested by ISO 17025-2005 accredited lab in accordance with IESNA LM-80 guidelines extrapolations in accordance with IESNA TM-21.

LED Module

Composed of COB white LED. Color temperature as per ANSI/NEMA bin Neutral White, 4000 Kelvin nominal (3985 +/- 275K or 3710K to 4260K), CRI 70 min.

Optical System

Type V symmetric distribution, optimized for target lumens and a superior lighting uniformity. Photometric performance shall be tested per, LM-79 and published in accordance with LM-63.

Driver

High power factor of 90% min. Electronic driver, operating range 50/60 Hz, Class 2.

Other Integrated Features

Surge Protection: Each luminaire is provided as standard with 4kV surge protection.

Wiring

Insulated wiring, seals where wiring exists the luminaire. Due to the inrush current that occurs with electronic drivers, recommend using a time delay or slow blow fuse to avoid unnecessary and unwanted fuse blowing that can occur with fast acting fuses.

Hardware

All exposed screws shall be stainless and/or corrosion resistant and captive. All seals and sealing devices are made and/or lined with EPDM and/or silicone and/or rubber.

Finish

Fade and abrasion resistant, electrostatically applied, thermally cured, triglycidal isocyanurate (TGIC) polyester powdercoat textured bronze finish.

LED Products Manufacturing Standard

The electronic components sensitive to electrostatic discharge (ESD) such as light emitting diodes (LEDs) are assembled in compliance with EC61340-5-1 and ANSI/ESD S20.20 standards so as to eliminate ESD events that could decrease the useful life of the product.

Vibration Resistance

20W, 40W & 57W: Surface Mount meets the ANSI C136.31 Luminaire Vibration specifications for Normal applications (1.5G).

All wattages: Pendant Mount meets the ANSI C136.31 Luminaire Vibration specifications for Bridge/Overpass applications (3G).

Certifications and Compliance

cULus Listed for Canada and USA. DesignLights Consortium qualified. Entire luminaire is rated for operation in ambient temperature of -40°C (-40°F) up to +40°C (+104°F).

IP66 Rating

Entire luminaire including light engine and driver/ electrical compartment IP66 rated.

Limited Warranty

5-year limited warranty. See signify.com/warranties for details and restrictions. Visit our eCatalog or contact your local sales representative for more information.

The information presented in this document is not intended as any commercial offer and does not form part of any quotation or contract.

