



Stonco LytePro LED small wall sconce LPW7 features outstanding value in a compact, architectural design, and combines energy savings with good photometric performance. LPW7 is ideal for entryways, corridors, facade and other wall/surface lighting applications.

Project: \_\_\_\_\_  
 Location: \_\_\_\_\_  
 Cat.No: \_\_\_\_\_  
 Type: \_\_\_\_\_  
 Lamps: \_\_\_\_\_ Qty: \_\_\_\_\_  
 Notes: \_\_\_\_\_

### Ordering guide

Example: **LPW7-10-NW-G3-2-120-PCB-BZ**

Prefix	Wattage	LED Color/Gen	Distribution	Voltage	Options		Finish
					Photocontrol		
<b>LPW7</b>	<b>10</b>		<b>2</b>				
LPW7 LytePro 7 LED small wall sconce	10 10W	<b>NW-G3</b> Neutral White 4000K 70 CRI Generation 3  <b>WW-G3</b> Warm White 3000K 70 CRI Generation 3	2 Type 2	<b>120</b> 120V <b>208</b> 208V <b>240</b> 240V <b>277</b> 277V <b>UNV</b> 120-277V (50/60Hz)	--- None <b>PCB</b> Photocontrol Button <sup>1</sup>	<b>Textured</b> <b>BK</b> Black <b>WH</b> White <b>BZ</b> Bronze <b>DGY</b> Dark Gray <b>MGY</b> Medium Gray  <b>Customer specified</b> <b>RAL</b> Specify optional color or RAL (ex: OC-LGP or OC-RAL7024) <b>CC</b> Custom color (Must supply color chip for required factory quote)	

### Stocked luminaires – Ordering guide

Catalog Number	Description	Master Pack, Qty	UPC Code
LPW7-G3-8-BZ	LPW7, 250mA, 4000K, 120-277V, Bronze textured paint	6	622252813858
LPW7-G3-8-DGY	LPW7, 250mA, 4000K, 120-277V, Dark gray textured paint	6	622252813841

### Stocked accessories – Ordering guide (Must be ordered separately)

Catalog Number	Description	Master Pack, Qty	UPC Code
LPWCVRPLT-BZ <sup>2</sup>	LPW Universal wall cover mounting plate, Bronze textured paint	(none)	190096144860

<sup>1</sup> Must specify voltage.

<sup>2</sup> Other colors available upon request as made-to-order

## Light to go

Compatible configurations

Luminaire

LPW7-G3-8-DGY  
LPW7-G3-8-BZ

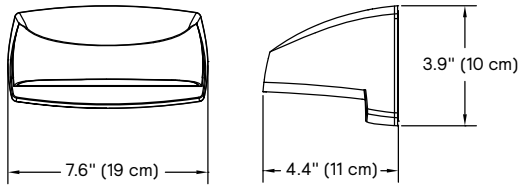
every job matters



# LPW7 LytePro

## LED small wall sconce

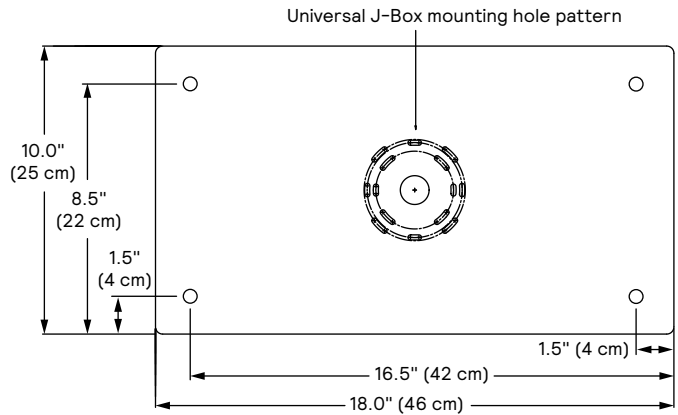
### Dimensions



Luminaire weight: 4 lbs (1.8 kg)

### Accessory dimensions (ordered separately)

LPWCVRPLT LPW Universal wall cover mounting plate, 0.08" aluminum, bronze textured paint (used to cover larger pre-existing opening or surfaces, field installed). Offers same J-Box pattern as luminaire or may lagged to wall using (4) knockouts.



### LED Wattage and Lumen Values

Ordering Code	Total LEDs	LED Current (mA)	Color Temp.	Average System Watts	Type 2		
					Lumen Output	BUG Rating	Efficacy (LPW)
LPW-7-10-NW-G3-2	18	250	4000	9.7	1050	B1-U0-G0	108
LPW-7-10-WW-G3-2	18	250	3000	9.7	1051	B1-U0-G0	108

Values from photometric tests performed in accordance with IESNA LM-79 and are representative of the configurations shown.

Actual performance may vary due to installation and environmental variables, LED and driver tolerances, and field measurement considerations. It is highly recommended to confirm performance with a photometric layout.

NOTE: Some data may be scaled based on tests of similar (but not identical) luminaires. Contact factory for configurations not shown.

### Predicted lumen depreciation data

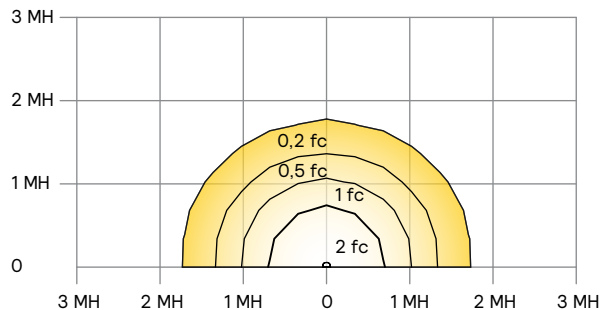
Predicted performance derived from LED manufacturer's data and engineering design estimates, based on IESNA LM-80 methodology.

Actual experience may vary due to field application conditions. L<sub>70</sub> is the predicted time when LED performance depreciates to 70% of initial lumen output. Calculated per IESNA TM21-11. Published L<sub>70</sub> hours limited to 6 times actual LED test hours

Ambient Temperature °C	Calculated L <sub>70</sub> Hours	L <sub>70</sub> per TM-21	Lumen Maintenance % at 60,000 hrs
up to 40°C	>200,000 hours	>60,000 hours	>92%

### Optical distribution

Based on LPW7-10-NW-G3-2 at 10' mounting height



LPW7 10' mounting height			
Mounting height	6 ft	8 ft	10 ft
Multiplier	1.23	1.14	1.00

# LPW7 LytePro

## LED small wall sconce

### General Description

LytePro LED small wall sconce LPW7 combines excellent performance, design and value to meet the needs of the energy and budget conscious. The LPW7 is available for use in downward facing, surface wall mount applications, over recessed j-boxes or where power can be directly fed through back surface, whereby connections splices can be made inside the luminaire housing. Two SKU's are available as in-stock configurations (2-day quick ship).

### Housing

Die-cast housing houses both the LED and driver assemblies. Design incorporates an integrated heat sink to maximize thermal performance and reliability. Backplate is corrosion free, composite polycarbonate, with built-in level bubble, offers integral interlocking hook and mount design for easy installation.

### Mounting

Easy interlocking hook and mount housing/backplate design for easy installation. Mounts over 3.5", 4" octagonal j-boxes and single gang switch boxes (mounted horizontally) or can be directly lagged to surface. Ensure proper steps for gasket/sealing luminaire to surface.

### IP Rating

Optical compartment is IP65 rated.

### LED Board and Array

Provides up to 108 lm/W at the system level. Standard color temp is 4000K or 3000K +/- 130K, minimum 70 CRI.

### Electrical

Driver efficiency (>89% standard). 120-277V. Temp range: -40°C (-40°F) to 40°C (104°F). Open/short circuit protection. RoHS compliant.

### Listings

Product is cETLus listed suitable for Wet Locations. Suitable for use in ambients from -40°C to 40°C (-40°F to 104°F). DesignLights Consortium® qualified.

### Finish

Each luminaire receives a fade and abrasion resistant, electrostatically applied, thermally cured, triglycidic isocyanurate (TGIC) textured polyester powdercoat finish.

### Warranty

LPW7 luminaires, the LED arrays, and the drivers are all covered by a 5-year limited warranty. See [www.signify.com/warranties](http://www.signify.com/warranties) for details.

The information presented in this document is not intended as any commercial offer and does not form part of any quotation or contract.

