

# Stonco

by  Signify

## Wall Mount

### Tall wall pack

#### TW 20W



The **Stonco LED Tall wall pack** makes it easy to switch to LED. This compact wall pack utilizes only 20W and provides 70W HID equivalent illumination for enhanced energy savings.

Project: \_\_\_\_\_

Location: \_\_\_\_\_

Cat.No: \_\_\_\_\_

Type: \_\_\_\_\_

Lamps: \_\_\_\_\_ Qty: \_\_\_\_\_

Notes: \_\_\_\_\_

### Ordering guide

Example: TW-20-NW-G1-8-BZ

Luminaire	Wattage	Generation	Photocell	Voltage	Finish
<b>TW</b>	<b>20</b>	<b>NW-G1</b>			<b>BZ</b>
TW Tall Wall Pack LED	20 20W	NW-G1 Neutral White, 4000K, 70CRI, Generation 1	-- No Photocell PCB Button Photocell <sup>1</sup>	8 120-277 Volts 1 120 Volts	BZ Bronze

1. Only available in 120V.

### Specifications

#### Housing

Die-cast aluminum back plate with UV stabilized impact resistant polycarbonate front cover and frosted lens mounted with stainless steel hardware.

#### IP Rating

LED and other electronic components are sealed in a luminaire rated IP65.

#### Electrical

Constant current driver with efficiency >84% at full load. Available in 120-277V. IP66 compliant driver. RoHS compliant. Surge protector standard. 4KA per ANSI/IEEE C62.41.2.

#### LED Board and Array

1 CoB (chip on board) LED. Color temperature 4000K. Minimum CRI of 70.

#### Mounting

Mounts to standard 3-1/2" to 4" round and octagonal or 4 inch square electrical junction boxes. 1/2 NPT threaded conduit on the sides of the luminaire.

#### Energy Saving Benefits

System efficacy up to 120lm/W with significant energy savings over Pulse Start Metal Halide luminaires.

#### Listings

UL/cUL listed to the UL 1598 standard, suitable for Wet Locations. Suitable for use in ambient from -40° to 40°C (-40° to 104°F).

Product is DesignLights Consortium® qualified.

#### Finish

Each luminaire comes with a UV stabilized and outdoor rated polycarbonate front cover with a dark bronze color (BZ).

#### Limited Warranty

Luminaires are covered by a 5-year limited warranty. See [signify.com/warranties](http://signify.com/warranties) for details.

## Light to go

Compatible configurations

Luminaire

TW20-NW-G1-8-BZ

TW20-NW-G1-PCB-1-BZ

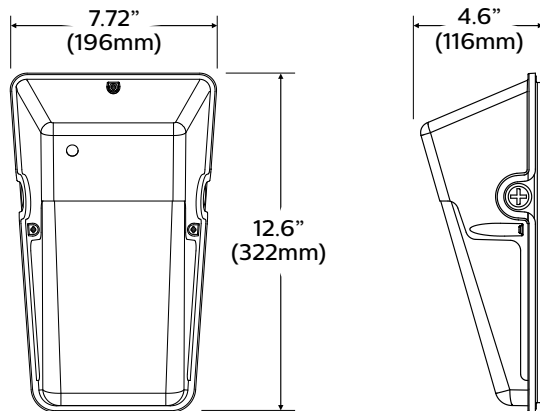
every job matters



# TW LED Tall wall pack

20W

## Dimensions



## Weight

2.4 lbs (1.1kg)

## LED Wattage and Lumen Values

Ordering Codes	Total LEDs	System Current (mA)	Color Temp. (K)	Average System Wattage <sup>1</sup>	Type 4		
					Lumen Output <sup>1,2</sup>	BUG Rating	Efficacy (LPW)
TW20-NW-G1	1	480	4000	19	2277	B0-U3-G2	120

1. Wattage and lumen output may vary due to LED manufacturer forward volt specification and ambient temperature. Wattage shown is average for 120V through 277V input. Measured wattage may vary due to variation in input voltage.

2. Lumen values based on photometric tests performed in compliance with IESNA LM-79.

**NOTE:** Contact [outdoorlighting.applications@philips.com](mailto:outdoorlighting.applications@philips.com) for details or additional information.

## Predicted Lumen Depreciation Data

Predicted performance derived from LED manufacturer's data and engineering design estimates, based on IESNA LM-80 methodology. Actual experience may vary due to field application conditions. L70 is the predicted time when LED performance depreciates to 70% of initial lumen output.

Calculated per IESNA TM21-11. Published L70 hours limited to 6 times actual LED test hours.

Ordering Codes	Ambient Temperature °C	System Current	L <sub>70</sub> per TM21 <sup>2,3</sup>	Lumen Maintenance @ 50,000hrs
TW20-NW-G1	25 °C	480mA	>102,000	90%

1. Predicted performance derived from LED manufacturer's data and engineering design estimates.

2. based on IESNA LM-80 methodology. Actual experience may vary due to field application conditions.

L70 is the predicted time when LED performance depreciates to 70% of initial lumen output.

3. Calculated per IESNA TM 21-11. Published L70 hours limited to 6 times actual LED test hours.

The information presented in this document is not intended as any commercial offer and does not form part of any quotation or contract.

