

PHILIPS

Lighting



Affordable LED replacements for compact fluorescent 4-pin & 2-pin lamps

PL-C/T

Philips PLED 4-pin & 2-pin lamps are an affordable LED solution to replace compact fluorescent lamps. The product provides a natural lighting effect for use in many lighting applications, and provides instant energy savings, making them an environmentally-friendly solution. Available as replacements for 13W, 26W and 32W compact fluorescent lamps.

Benefits

- Reduced lighting costs
- Excellent lighting uniformity and lumen maintenance
- Unmatched compatibility with existing ballasts

Features

- Excellent energy efficiency
- Horizontal lamps rotate to ensure the best possible lighting effect
- Easy installation. Plug-and-play replacement of existing CFL-ni lamps
- Conventional form factor fits into existing luminaires

Application

- Retail & hospitality
- Residential
- Healthcare

Light to go

Compatible configurations

Lamps

10.5PL-C/T LED/26V-3500 lF 4P 10/1
10.5PL-C/T LED/26V-4000 lF 4P 10/1
12PLC/T LED/32H/835/lF/4P/DIM 1PK 10/1
12PLC/T LED/32H/840/lF/4P/DIM 1PK 10/1
12PLC/T LED/32V/835/lF/4P/DIM 1PK 10/1

5PL-S/LED/13H/835/lF5/P/2P 20/1
5PL-S/LED/13H/840/lF5/P/2P 20/1
8.5PL-C/T LED/26H-3500 lF 4P 10/1
8.5PL-C/T LED/26H-4000 lF 4P 10/1

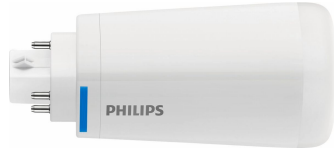
every
job matters

PL-C/T

Versions



G24q/GX24q



G24q/GX24q



LEDtube GX23-2



LEDtube GX23-2

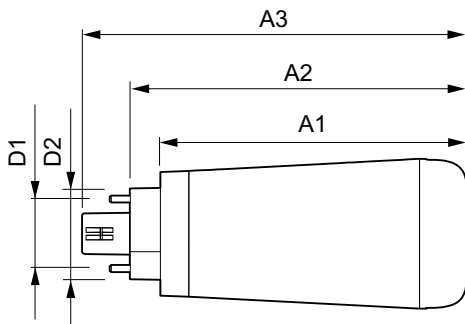


LEDtube G24Q



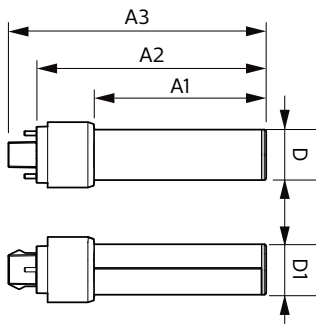
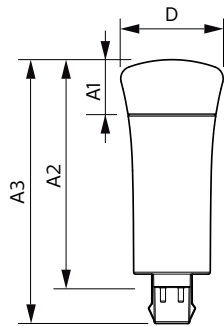
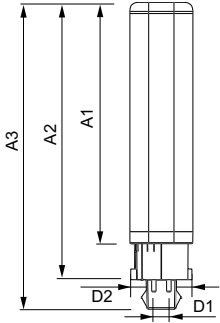
LEDtube G24Q

Dimensional drawing



Product	D1	D2	A1	A2	A3
10.5PL-C/T LED/26V-2700 IF 4P 10/1	24.3 mm	29 mm	99.9 mm	109.9 mm	125.5 mm
12PLC/T LED/32V/840/IF/4P/DIM 1PK 10/1	24.3 mm	29 mm	99.9 mm	109.9 mm	125.5 mm
12PLC/T LED/32V/830/IF/4P/DIM 1PK 10/1	24.3 mm	29 mm	99.9 mm	109.9 mm	125.5 mm
12PLC/T LED/32V/835/IF/4P/DIM 1PK 10/1	24.3 mm	29 mm	99.9 mm	109.9 mm	125.5 mm
12PLC/T LED/32V/827/IF/4P/DIM 1PK 10/1	24.3 mm	29 mm	99.9 mm	109.9 mm	125.5 mm
10.5PL-C/T LED/26V-3500 IF 4P 10/1	24.3 mm	29 mm	99.9 mm	109.9 mm	125.5 mm
10.5PL-C/T LED/26V-4000 IF 4P 10/1	24.3 mm	29 mm	99.9 mm	109.9 mm	125.5 mm

Dimensional drawing

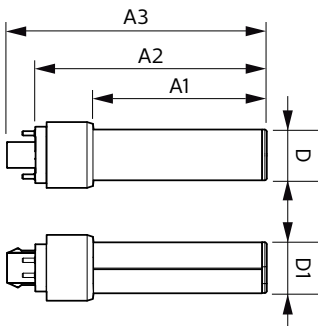
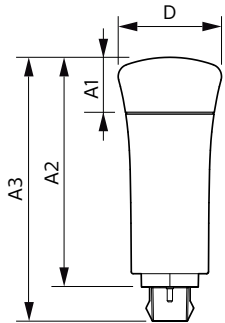


Product	D1	D2	A1	A2	A3
8.5PL-C/T LED/26H-4000 IF 4P 10/1	24.3 mm	28.4 mm	128.3 mm	147.5 mm	163.1 mm
12PLC/T LED/32H/830/IF/4P/DIM 1PK 10/1	24.3 mm	28.4 mm	128.8 mm	148 mm	163.6 mm
12PLC/T LED/32H/840/IF/4P/DIM 1PK 10/1	24.3 mm	28.4 mm	128.8 mm	148 mm	163.6 mm
12PLC/T LED/32H/827/IF/4P/DIM 1PK 10/1	24.3 mm	28.4 mm	128.8 mm	148 mm	163.6 mm
12PLC/T LED/32H/835/IF/4P/DIM 1PK 10/1	24.3 mm	28.4 mm	128.8 mm	148 mm	163.6 mm
8.5PL-C/T LED/26H-3000 IF 4P 10/1	24.3 mm	28.4 mm	128.3 mm	147.5 mm	163.1 mm
8.5PL-C/T LED/26H-2700 IF 4P 10/1	24.3 mm	28.4 mm	128.3 mm	147.5 mm	163.1 mm
8.5PL-C/T LED/26H-3500 IF 4P 10/1	24.3 mm	28.4 mm	128.3 mm	147.5 mm	163.1 mm

Product	D	A1	A2	A3
5.5PL-C/LED/13V/830/IF5/P/4P 20/1	45.7 mm	24.6 mm	101.6 mm	117.6 mm
5.5PL-C/LED/13V/840/IF5/P/4P 20/1	45.7 mm	24.6 mm	101.6 mm	117.6 mm
5.5PL-C/LED/13V/827/IF5/P/4P 20/1	45.7 mm	24.6 mm	101.6 mm	117.6 mm
5.5PL-C/LED/13V/835/IF5/P/4P 20/1	45.7 mm	24.6 mm	101.6 mm	117.6 mm

Product	D	D1	A1	A2	A3
5PL-C/LED/13H/830/IF5/P/2P 20/1	27 mm	27 mm	91.5 mm	122.4 mm	137.4 mm
5PL-C/LED/13H/840/IF5/P/2P 20/1	27 mm	27 mm	91.5 mm	122.4 mm	137.4 mm
5PL-C/LED/13H/827/IF5/P/2P 20/1	27 mm	27 mm	91.5 mm	122.4 mm	137.4 mm
5PL-C/LED/13H/835/IF5/P/2P 20/1	27 mm	27 mm	91.5 mm	122.4 mm	137.4 mm

Dimensional drawing



Product	D	A1	A2	A3
5PL-C/LED/13V/827/IF5/P/2P 20/1	45.7 mm	24.6 mm	101.6 mm	117.6 mm
5PL-C/LED/13V/830/IF5/P/2P 20/1	45.7 mm	24.6 mm	101.6 mm	117.6 mm
5PL-C/LED/13V/840/IF5/P/2P 20/1	45.7 mm	24.6 mm	101.6 mm	117.6 mm
5PL-C/LED/13V/835/IF5/P/2P 20/1	45.7 mm	24.6 mm	101.6 mm	117.6 mm

Product	D	D1	A1	A2	A3
5.5PL-C/LED/13H/840/IF5/P/4P 20/1	27 mm	27 mm	91.5 mm	122.4 mm	137.4 mm
5.5PL-C/LED/13H/830/IF5/P/4P 20/1	27 mm	27 mm	91.5 mm	122.4 mm	137.4 mm
5.5PL-C/LED/13H/835/IF5/P/4P 20/1	27 mm	27 mm	91.5 mm	122.4 mm	137.4 mm
5.5PL-C/LED/13H/827/IF5/P/4P 20/1	27 mm	27 mm	91.5 mm	122.4 mm	137.4 mm

Operating and Electrical

Starting Time (Nom)	0.5 s
---------------------	-------

General Information

Nominal Lifetime (Nom)	50000 h
Switching Cycle	50000X

Light Technical

Color Rendering Index (Nom)	82
Llmf At End Of Nominal Lifetime (Nom)	70 %

Temperature

T-Ambient (Max)	45 °C
T-Ambient (Min)	-20 °C
T-Storage (Max)	65 °C
T-Storage (Min)	-40 °C

Controls and Dimming

Order Code	Full Product Name	Dimmable
458364	8.5PL-C/T LED/26H-2700 IF 4P 1PK 10/1	Yes
458372	8.5PL-C/T LED/26H-3000 IF 4P 1PK 10/1	Yes
458380	8.5PL-C/T LED/26H-3500 IF 4P 1PK 10/1	Yes
458398	8.5PL-C/T LED/26H-4000 IF 4P 1PK 10/1	Yes
476069	12PLC/T LED/32H/827/IF/4P/DIM 1PK 10/1	Yes
476077	12PLC/T LED/32H/830/IF/4P/DIM 1PK 10/1	Yes
476085	12PLC/T LED/32H/835/IF/4P/DIM 1PK 10/1	Yes
476093	12PLC/T LED/32H/840/IF/4P/DIM 1PK 10/1	Yes
458406	10.5PL-C/T LED/26V-2700 IF 4P 1PK 10/1	Yes
458422	10.5PL-C/T LED/26V-3500 IF 4P 1PK 10/1	Yes
458430	10.5PL-C/T LED/26V-4000 IF 4P 1PK 10/1	Yes
476101	12PLC/T LED/32V/827/IF/4P/DIM 1PK 10/1	Yes
476119	12PLC/T LED/32V/830/IF/4P/DIM 1PK 10/1	Yes
476127	12PLC/T LED/32V/835/IF/4P/DIM 1PK 10/1	Yes
476135	12PLC/T LED/32V/840/IF/4P/DIM 1PK 10/1	Yes
532309	5PL-C/LED/13H/827/IF5/P/2P 20/1	No
532317	5PL-C/LED/13H/830/IF5/P/2P 20/1	No
532333	5PL-C/LED/13H/835/IF5/P/2P 20/1	No
532341	5PL-C/LED/13H/840/IF5/P/2P 20/1	No
532358	5PL-C/LED/13V/827/IF5/P/2P 20/1	No
532366	5PL-C/LED/13V/830/IF5/P/2P 20/1	No
532374	5PL-C/LED/13V/835/IF5/P/2P 20/1	No
532382	5PL-C/LED/13V/840/IF5/P/2P 20/1	No
532390	5.5PL-C/LED/13H/827/IF5/P/4P 20/1	Yes
532408	5.5PL-C/LED/13H/830/IF5/P/4P 20/1	Yes

Order Code	Full Product Name	Dimmable
532416	5.5PL-C/LED/13H/835/IF5/P/4P 20/1	Yes
532424	5.5PL-C/LED/13H/840/IF5/P/4P 20/1	Yes
532432	5.5PL-C/LED/13V/827/IF5/P/4P 20/1	Yes
532440	5.5PL-C/LED/13V/830/IF5/P/4P 20/1	Yes
532457	5.5PL-C/LED/13V/835/IF5/P/4P 20/1	Yes
532465	5.5PL-C/LED/13V/840/IF5/P/4P 20/1	Yes

Operating and Electrical

Order Code	Full Product Name	Input Frequency	Voltage (Nom)	Power (Rated) (Nom)
458364	8.5PL-C/T LED/26H-2700 IF 4P 1PK 10/1	20000-100000 Hz	120 V	8.5 W
458372	8.5PL-C/T LED/26H-3000 IF 4P 1PK 10/1	20000-100000 Hz	120 V	8.5 W
458380	8.5PL-C/T LED/26H-3500 IF 4P 1PK 10/1	20000-100000 Hz	120 V	8.5 W
458398	8.5PL-C/T LED/26H-4000 IF 4P 1PK 10/1	20000-100000 Hz	120 V	8.5 W
476069	12PLC/T LED/32H/827/IF/4P/DIM 1PK 10/1	20000-100000 Hz	25-55 V	12 W
476077	12PLC/T LED/32H/830/IF/4P/DIM 1PK 10/1	20000-100000 Hz	25-55 V	12 W
476085	12PLC/T LED/32H/835/IF/4P/DIM 1PK 10/1	20000-100000 Hz	25-55 V	12 W
476093	12PLC/T LED/32H/840/IF/4P/DIM 1PK 10/1	20000-100000 Hz	25-55 V	12 W
458406	10.5PL-C/T LED/26V-2700 IF 4P 1PK 10/1	20000-100000 Hz	120 V	10.5 W
458422	10.5PL-C/T LED/26V-3500 IF 4P 1PK 10/1	20000-100000 Hz	120 V	10.5 W
458430	10.5PL-C/T LED/26V-4000 IF 4P 1PK 10/1	20000-100000 Hz	120 V	10.5 W
476101	12PLC/T LED/32V/827/IF/4P/DIM 1PK 10/1	20000-100000 Hz	25-55 V	12 W
476119	12PLC/T LED/32V/830/IF/4P/DIM 1PK 10/1	20000-100000 Hz	25-55 V	12 W
476127	12PLC/T LED/32V/835/IF/4P/DIM 1PK 10/1	20000-100000 Hz	25-55 V	12 W
476135	12PLC/T LED/32V/840/IF/4P/DIM 1PK 10/1	20000-100000 Hz	25-55 V	12 W

Order Code	Full Product Name	Input Frequency	Voltage (Nom)	Power (Rated) (Nom)
532309	5PL-C/LED/13H/827/IF5/P/2P 20/1	50 to 60 Hz	120-277 V	5 W
532317	5PL-C/LED/13H/830/IF5/P/2P 20/1	50 to 60 Hz	120-277 V	5 W
532333	5PL-C/LED/13H/835/IF5/P/2P 20/1	50 to 60 Hz	120-277 V	5 W
532341	5PL-C/LED/13H/840/IF5/P/2P 20/1	50 to 60 Hz	120-277 V	5 W
532358	5PL-C/LED/13V/827/IF5/P/2P 20/1	50 to 60 Hz	120-277 V	5 W
532366	5PL-C/LED/13V/830/IF5/P/2P 20/1	50 to 60 Hz	120-277 V	5 W
532374	5PL-C/LED/13V/835/IF5/P/2P 20/1	50 to 60 Hz	120-277 V	5 W
532382	5PL-C/LED/13V/840/IF5/P/2P 20/1	50 to 60 Hz	120-277 V	5 W
532390	5.5PL-C/LED/13H/827/IF5/P/4P 20/1	25000-100000 Hz	14-60 V	5.5 W
532408	5.5PL-C/LED/13H/830/IF5/P/4P 20/1	25000-100000 Hz	14-60 V	5.5 W
532416	5.5PL-C/LED/13H/835/IF5/P/4P 20/1	25000-100000 Hz	14-60 V	5.5 W
532424	5.5PL-C/LED/13H/840/IF5/P/4P 20/1	25000-100000 Hz	14-60 V	5.5 W
532432	5.5PL-C/LED/13V/827/IF5/P/4P 20/1	25000-100000 Hz	14-60 V	5.5 W

Order Code	Full Product Name	Input Frequency	Voltage (Nom)	Power (Rated) (Nom)
532440	5.5PL-C/LED/13V/830/IF5/P/4P 20/1	25000-100000 Hz	14-60 V	5.5 W
532457	5.5PL-C/LED/13V/835/IF5/P/4P 20/1	25000-100000 Hz	14-60 V	5.5 W

Order Code	Full Product Name	Input Frequency	Voltage (Nom)	Power (Rated) (Nom)
532465	5.5PL-C/LED/13V/840/IF5/P/4P 20/1	25000-100000 Hz	14-60 V	5.5 W

General Information

Order Code	Full Product Name	Cap-Base
458364	8.5PL-C/T LED/26H-2700 IF 4P 1PK 10/1	G24Q
458372	8.5PL-C/T LED/26H-3000 IF 4P 1PK 10/1	G24Q
458380	8.5PL-C/T LED/26H-3500 IF 4P 1PK 10/1	G24Q
458398	8.5PL-C/T LED/26H-4000 IF 4P 1PK 10/1	G24Q
476069	12PLC/T LED/32H/827/IF/4P/DIM 1PK 10/1	G24Q
476077	12PLC/T LED/32H/830/IF/4P/DIM 1PK 10/1	G24Q
476085	12PLC/T LED/32H/835/IF/4P/DIM 1PK 10/1	G24Q
476093	12PLC/T LED/32H/840/IF/4P/DIM 1PK 10/1	G24Q
458406	10.5PL-C/T LED/26V-2700 IF 4P 1PK 10/1	GX24q
458422	10.5PL-C/T LED/26V-3500 IF 4P 1PK 10/1	GX24q
458430	10.5PL-C/T LED/26V-4000 IF 4P 1PK 10/1	GX24q
476101	12PLC/T LED/32V/827/IF/4P/DIM 1PK 10/1	GX24q
476119	12PLC/T LED/32V/830/IF/4P/DIM 1PK 10/1	GX24q
476127	12PLC/T LED/32V/835/IF/4P/DIM 1PK 10/1	GX24q
476135	12PLC/T LED/32V/840/IF/4P/DIM 1PK 10/1	GX24q
532309	5PL-C/LED/13H/827/IF5/P/2P 20/1	GX23-2

Order Code	Full Product Name	Cap-Base
532317	5PL-C/LED/13H/830/IF5/P/2P 20/1	GX23-2
532333	5PL-C/LED/13H/835/IF5/P/2P 20/1	GX23-2
532341	5PL-C/LED/13H/840/IF5/P/2P 20/1	GX23-2
532358	5PL-C/LED/13V/827/IF5/P/2P 20/1	GX23-2
532366	5PL-C/LED/13V/830/IF5/P/2P 20/1	GX23-2
532374	5PL-C/LED/13V/835/IF5/P/2P 20/1	GX23-2
532382	5PL-C/LED/13V/840/IF5/P/2P 20/1	GX23-2
532390	5.5PL-C/LED/13H/827/IF5/P/4P 20/1	G24Q
532408	5.5PL-C/LED/13H/830/IF5/P/4P 20/1	G24Q
532416	5.5PL-C/LED/13H/835/IF5/P/4P 20/1	G24Q
532424	5.5PL-C/LED/13H/840/IF5/P/4P 20/1	G24Q
532432	5.5PL-C/LED/13V/827/IF5/P/4P 20/1	G24Q
532440	5.5PL-C/LED/13V/830/IF5/P/4P 20/1	G24Q
532457	5.5PL-C/LED/13V/835/IF5/P/4P 20/1	G24Q
532465	5.5PL-C/LED/13V/840/IF5/P/4P 20/1	G24Q

Light Technical (1/2)

Order Code	Full Product Name	Correlated			
		Beam Angle (Nom)	Color Code	Temperature (Nom)	Luminous Flux (Nom)
458364	8.5PL-C/T LED/26H-2700 IF 4P 1PK 10/1	-	827	2700 K	850 lm
458372	8.5PL-C/T LED/26H-3000 IF 4P 1PK 10/1	-	830	3000 K	900 lm
458380	8.5PL-C/T LED/26H-3500 IF 4P 1PK 10/1	-	835	3500 K	900 lm
458398	8.5PL-C/T LED/26H-4000 IF 4P 1PK 10/1	-	841	4000 K	950 lm
476069	12PLC/T LED/32H/827/IF/4P/DIM 1PK 10/1	-	827	2700 K	1300 lm
476077	12PLC/T LED/32H/830/IF/4P/DIM 1PK 10/1	-	830	3000 K	1350 lm

Order Code	Full Product Name	Correlated			
		Beam Angle (Nom)	Color Code	Temperature (Nom)	Luminous Flux (Nom)
476085	12PLC/T LED/32H/835/IF/4P/DIM 1PK 10/1	-	835	3500 K	1400 lm
476093	12PLC/T LED/32H/840/IF/4P/DIM 1PK 10/1	-	841	4000 K	1450 lm
458406	10.5PL-C/T LED/26V-2700 IF 4P 1PK 10/1	-	827	2700 K	1200 lm
458422	10.5PL-C/T LED/26V-3500 IF 4P 1PK 10/1	-	835	3500 K	1200 lm
458430	10.5PL-C/T LED/26V-4000 IF 4P 1PK 10/1	-	841	4000 K	1300 lm
476101	12PLC/T LED/32V/827/IF/4P/DIM 1PK 10/1	-	827	2700 K	1350 lm

PL-C/T

Order Code	Full Product Name	Beam Angle (Nom)	Correlated Color		Luminous Flux (Nom)
			Color Code	Temperature (Nom)	
476119	12PLC/T LED/32V/830/IF/4P/DIM 1PK 10/1	-	830	3000 K	1400 lm
476127	12PLC/T LED/32V/835/IF/4P/DIM 1PK 10/1	-	835	3500 K	1450 lm
476135	12PLC/T LED/32V/840/IF/4P/DIM 1PK 10/1	-	841	4000 K	1500 lm
532309	5PL- C/LED/13H/827/IF5/P/2P 20/1	150 °	827	2700 K	520 lm
532317	5PL- C/LED/13H/830/IF5/P/2 P 20/1	150 °	830	3000 K	550 lm
532333	5PL- C/LED/13H/835/IF5/P/2 P 20/1	150 °	835	3500 K	550 lm
532341	5PL- C/LED/13H/840/IF5/P/2 P 20/1	150 °	841	4000 K	580 lm
532358	5PL- C/LED/13V/827/IF5/P/2P 20/1	150 °	827	2700 K	520 lm
532366	5PL- C/LED/13V/830/IF5/P/2 P 20/1	150 °	830	3000 K	550 lm
532374	5PL- C/LED/13V/835/IF5/P/2P 20/1	150 °	835	3500 K	550 lm

Order Code	Full Product Name	Beam Angle (Nom)	Correlated Color		Luminous Flux (Nom)
			Color Code	Temperature (Nom)	
532382	5PL- C/LED/13V/840/IF5/P/2 P 20/1	150 °	841	4000 K	580 lm
532390	5.5PL- C/LED/13H/827/IF5/P/4 P 20/1	150 °	827	2700 K	520 lm
532408	5.5PL- C/LED/13H/830/IF5/P/4 P 20/1	150 °	830	3000 K	550 lm
532416	5.5PL- C/LED/13H/835/IF5/P/4 P 20/1	150 °	835	3500 K	550 lm
532424	5.5PL- C/LED/13H/840/IF5/P/4 P 20/1	150 °	841	4000 K	580 lm
532432	5.5PL- C/LED/13V/827/IF5/P/4P 20/1	150 °	827	2700 K	520 lm
532440	5.5PL- C/LED/13V/830/IF5/P/4 P 20/1	150 °	830	3000 K	550 lm
532457	5.5PL- C/LED/13V/835/IF5/P/4 P 20/1	150 °	835	3500 K	550 lm
532465	5.5PL- C/LED/13V/840/IF5/P/4 P 20/1	150 °	841	4000 K	580 lm

Light Technical (2/2)

Order Code	Full Product Name	Luminous Flux (Rated) (Nom)
458364	8.5PL-C/T LED/26H-2700 IF 4P 1PK 10/1	850 lm
458372	8.5PL-C/T LED/26H-3000 IF 4P 1PK 10/1	900 lm
458380	8.5PL-C/T LED/26H-3500 IF 4P 1PK 10/1	900 lm
458398	8.5PL-C/T LED/26H-4000 IF 4P 1PK 10/1	950 lm
476069	12PLC/T LED/32H/827/IF/4P/DIM 1PK 10/1	1300 lm
476077	12PLC/T LED/32H/830/IF/4P/DIM 1PK 10/1	1350 lm
476085	12PLC/T LED/32H/835/IF/4P/DIM 1PK 10/1	1400 lm
476093	12PLC/T LED/32H/840/IF/4P/DIM 1PK 10/1	1450 lm
458406	10.5PL-C/T LED/26V-2700 IF 4P 1PK 10/1	1200 lm
458422	10.5PL-C/T LED/26V-3500 IF 4P 1PK 10/1	1200 lm
458430	10.5PL-C/T LED/26V-4000 IF 4P 1PK 10/1	1300 lm
476101	12PLC/T LED/32V/827/IF/4P/DIM 1PK 10/1	1350 lm
476119	12PLC/T LED/32V/830/IF/4P/DIM 1PK 10/1	1400 lm
476127	12PLC/T LED/32V/835/IF/4P/DIM 1PK 10/1	1450 lm
476135	12PLC/T LED/32V/840/IF/4P/DIM 1PK 10/1	1500 lm

Order Code	Full Product Name	Luminous Flux (Rated) (Nom)
532309	5PL-C/LED/13H/827/IF5/P/2P 20/1	-
532317	5PL-C/LED/13H/830/IF5/P/2P 20/1	-
532333	5PL-C/LED/13H/835/IF5/P/2P 20/1	-
532341	5PL-C/LED/13H/840/IF5/P/2P 20/1	-
532358	5PL-C/LED/13V/827/IF5/P/2P 20/1	-
532366	5PL-C/LED/13V/830/IF5/P/2P 20/1	-
532374	5PL-C/LED/13V/835/IF5/P/2P 20/1	-
532382	5PL-C/LED/13V/840/IF5/P/2P 20/1	-
532390	5.5PL-C/LED/13H/827/IF5/P/4P 20/1	-
532408	5.5PL-C/LED/13H/830/IF5/P/4P 20/1	-
532416	5.5PL-C/LED/13H/835/IF5/P/4P 20/1	-
532424	5.5PL-C/LED/13H/840/IF5/P/4P 20/1	-
532432	5.5PL-C/LED/13V/827/IF5/P/4P 20/1	-
532440	5.5PL-C/LED/13V/830/IF5/P/4P 20/1	-
532457	5.5PL-C/LED/13V/835/IF5/P/4P 20/1	-

PL-C/T

Order Code	Full Product Name	Luminous Flux (Rated) (Nom)
532465	5.5PL-C/LED/13V/840/IF5/P/4P 20/1	-

Mechanical and Housing

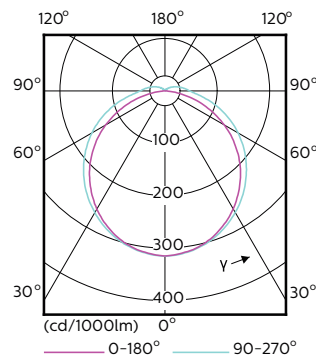
Order Code	Full Product Name	Bulb Finish	Bulb Shape
458364	8.5PL-C/T LED/26H-2700 IF 4P 1PK 10/1	Frosted	-
458372	8.5PL-C/T LED/26H-3000 IF 4P 1PK 10/1	Frosted	-
458380	8.5PL-C/T LED/26H-3500 IF 4P 1PK 10/1	Frosted	-
458398	8.5PL-C/T LED/26H-4000 IF 4P 1PK 10/1	Frosted	-
476069	12PLC/T LED/32H/827/IF/4P/DIM 1PK 10/1	Frosted	PL-C
476077	12PLC/T LED/32H/830/IF/4P/DIM 1PK 10/1	Frosted	PL-C
476085	12PLC/T LED/32H/835/IF/4P/DIM 1PK 10/1	Frosted	PL-C
476093	12PLC/T LED/32H/840/IF/4P/DIM 1PK 10/1	Frosted	PL-C
458406	10.5PL-C/T LED/26V-2700 IF 4P 1PK 10/1	Frosted	-
458422	10.5PL-C/T LED/26V-3500 IF 4P 1PK 10/1	Frosted	-
458430	10.5PL-C/T LED/26V-4000 IF 4P 1PK 10/1	Frosted	-
476101	12PLC/T LED/32V/827/IF/4P/DIM 1PK 10/1	Frosted	PL-C
476119	12PLC/T LED/32V/830/IF/4P/DIM 1PK 10/1	Frosted	PL-C
476127	12PLC/T LED/32V/835/IF/4P/DIM 1PK 10/1	Frosted	PL-C
476135	12PLC/T LED/32V/840/IF/4P/DIM 1PK 10/1	Frosted	PL-C
532309	5PL-C/LED/13H/827/IF5/P/2P 20/1	-	-

Order Code	Full Product Name	Bulb Finish	Bulb Shape
532317	5PL-C/LED/13H/830/IF5/P/2P 20/1	-	-
532333	5PL-C/LED/13H/835/IF5/P/2P 20/1	-	-
532341	5PL-C/LED/13H/840/IF5/P/2P 20/1	-	-
532358	5PL-C/LED/13V/827/IF5/P/2P 20/1	-	-
532366	5PL-C/LED/13V/830/IF5/P/2P 20/1	-	-
532374	5PL-C/LED/13V/835/IF5/P/2P 20/1	-	-
532382	5PL-C/LED/13V/840/IF5/P/2P 20/1	-	-
532390	5.5PL-C/LED/13H/827/IF5/P/4P 20/1	-	-
532408	5.5PL-C/LED/13H/830/IF5/P/4P 20/1	-	-
532416	5.5PL-C/LED/13H/835/IF5/P/4P 20/1	-	-
532424	5.5PL-C/LED/13H/840/IF5/P/4P 20/1	-	-
532432	5.5PL-C/LED/13V/827/IF5/P/4P 20/1	-	-
532440	5.5PL-C/LED/13V/830/IF5/P/4P 20/1	-	-
532457	5.5PL-C/LED/13V/835/IF5/P/4P 20/1	-	-
532465	5.5PL-C/LED/13V/840/IF5/P/4P 20/1	-	-

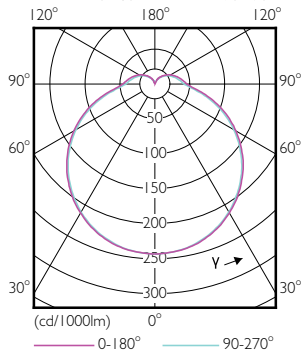
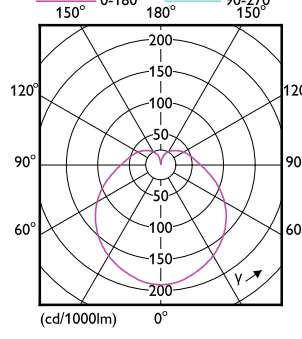
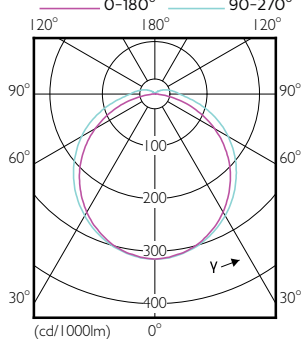
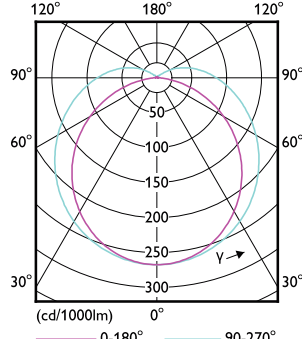
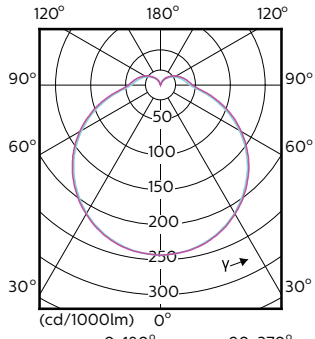
Temperature

Order Code	Full Product Name	T-Case Maximum (Nom)
458364	8.5PL-C/T LED/26H-2700 IF 4P 1PK 10/1	60 °C
458372	8.5PL-C/T LED/26H-3000 IF 4P 1PK 10/1	60 °C
458380	8.5PL-C/T LED/26H-3500 IF 4P 1PK 10/1	60 °C
458398	8.5PL-C/T LED/26H-4000 IF 4P 1PK 10/1	60 °C
476069	12PLC/T LED/32H/827/IF/4P/DIM 1PK 10/1	-
476077	12PLC/T LED/32H/830/IF/4P/DIM 1PK 10/1	-
476085	12PLC/T LED/32H/835/IF/4P/DIM 1PK 10/1	-
476093	12PLC/T LED/32H/840/IF/4P/DIM 1PK 10/1	-
458406	10.5PL-C/T LED/26V-2700 IF 4P 1PK 10/1	60 °C
458422	10.5PL-C/T LED/26V-3500 IF 4P 1PK 10/1	60 °C
458430	10.5PL-C/T LED/26V-4000 IF 4P 1PK 10/1	60 °C
476101	12PLC/T LED/32V/827/IF/4P/DIM 1PK 10/1	-
476119	12PLC/T LED/32V/830/IF/4P/DIM 1PK 10/1	-
476127	12PLC/T LED/32V/835/IF/4P/DIM 1PK 10/1	-
476135	12PLC/T LED/32V/840/IF/4P/DIM 1PK 10/1	-
532309	5PL-C/LED/13H/827/IF5/P/2P 20/1	70 °C
532317	5PL-C/LED/13H/830/IF5/P/2P 20/1	70 °C
532333	5PL-C/LED/13H/835/IF5/P/2P 20/1	70 °C
532341	5PL-C/LED/13H/840/IF5/P/2P 20/1	70 °C
532358	5PL-C/LED/13V/827/IF5/P/2P 20/1	70 °C
532366	5PL-C/LED/13V/830/IF5/P/2P 20/1	70 °C
532374	5PL-C/LED/13V/835/IF5/P/2P 20/1	70 °C
532382	5PL-C/LED/13V/840/IF5/P/2P 20/1	70 °C
532390	5.5PL-C/LED/13H/827/IF5/P/4P 20/1	75 °C
532408	5.5PL-C/LED/13H/830/IF5/P/4P 20/1	75 °C
532416	5.5PL-C/LED/13H/835/IF5/P/4P 20/1	75 °C

Order Code	Full Product Name	T-Case Maximum (Nom)
532424	5.5PL-C/LED/13H/840/IF5/P/4P 20/1	75 °C
532432	5.5PL-C/LED/13V/827/IF5/P/4P 20/1	70 °C
532440	5.5PL-C/LED/13V/830/IF5/P/4P 20/1	70 °C
532457	5.5PL-C/LED/13V/835/IF5/P/4P 20/1	70 °C
532465	5.5PL-C/LED/13V/840/IF5/P/4P 20/1	70 °C



PL-C/T



© 2020 Signify Holding. All rights reserved. The information provided herein is subject to change, without notice. Signify does not give any representation or warranty as to the accuracy or completeness of the information included herein and shall not be liable for any action in reliance thereon. The information presented in this document is not intended as any commercial offer and does not form part of any quotation or contract, unless otherwise agreed by Signify.

Signify North America Corporation
200 Franklin Square Drive,
Somerset, NJ 08873
Telephone 855-486-2216

Signify Canada Ltd.
281 Hillmount Road,
Markham, ON, Canada L6C 2S3
Telephone 800-668-9008

All trademarks are owned by Signify Holding or their respective owners.