



signify

if
you want hard
days to feel just
a little easier

Light to go
quick to order,
easy on your wallet,
simple to use.

signify.com/lighttogo

PHILIPS

LIGHTOLIER
by @signify

Day-Brite
CFI
by @signify

CHLORIDE
by @signify

HADCO
by @signify

Stonco
by @signify

Light to go



Things just got easier with our expanded lighting essential offerings
– quick to order, easy on your wallet and simple to use.

Light to go is our unparalleled breadth of simplified, essential offerings focused on the fulfillment of the most popular and daily demands of core stock items for small projects as well as maintenance and repair opportunities.

Choose Signify for the broadest range of technology solutions from Industry leading professional brands you can trust.

Table of contents

						
Flat Downlight 1	Mini Downlights 3	Surface Mount Downlight 4	SlimSurface 5	Commercial Retrofit 6	Retrofit Downlight 7	LyteCaster 8
						
LyteCaster Accent 9	Lytening 10	Basic Track Heads 13	Gimbal Rings 14	OmniSpot 15	Basic Track 16	HCX Sealed high bay 17
						
FCX value high bay 18	FBX high bay 19	FBY high bay 20	FluxStream EZ 21	OW/OWL Wraparound 22	VTC sealed strip 24	SLS linkable strip 25
						
SCD wide strip 26	ValueLine SL 27	T standard strip 28	FluxPanel gen2 29	Select Backlit Panel 30	Value+ 31	Area light 33
						
Slim floods 34	General floods 35	Dusk to Dawn 36	Garage & Canopy 37	Roughlyte 38	Low profile wall 39	Square wall light 40
						
Wall light 41	Tall wall pack 42	Wall pack 43	LytePro wall sconce 44	Commercial bollard 45	FlexScope 46	EvoKit Click 47
						
InstantFit lamps 48	MainsFit lamps 49	PLED lamps 50	UniversalFit lamps 51	PAR lamps 52	MR16 lamps 53	A-shape bulbs 54
						
Reflector bulbs 55	Decorative lamps 56	Candle lamps 57	G25 globes 58	CorePro high bay 59		

Light to go





Flat Downlight select

Flat Downlight Select

Lean, mean, lighting machine

Measures only 1/2" in depth, allowing for easy installation without concern for ceiling plenum space.



Why choose the Flat Downlight Select?

- Provides an easy and quick downlight solution without the traditional frame and reflector.
- Perfect for installation in low plenum and existing shallow space ceilings.
- The CCT selector feature makes it easy to choose CCT at the time of installation.

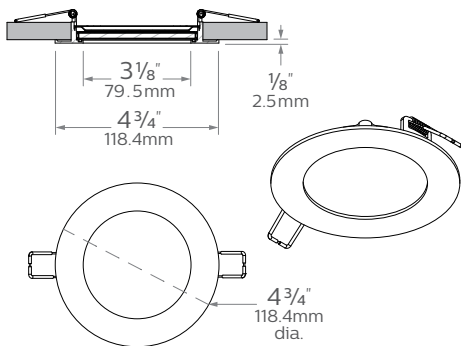
Luminaire

Catalog Code	Style	Lumens	CCT	Dimming	Replaces
FD4R4CCT	4" round	700lm	2700K/3000K/4000K 5000K	ELV/TRIAC	50W PAR20
FD6R4CCT	6" round	900lm	2700K/3000K 4000K/5000K	ELV/TRIAC	65W PAR20

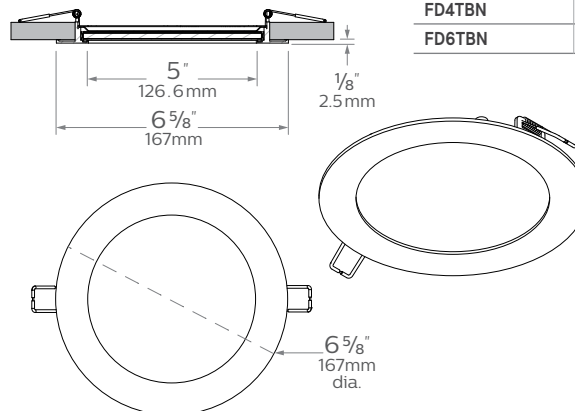
Accessories

Catalog Code	Description
FD4NCP	Flat Downlight 4" New Construction Plate
FD6NCP	Flat Downlight 6" New Construction Plate
FD10EC	Flat Downlight 10ft Extension Cable
FD4TBK	Flat Downlight 4" Trim Black
FD6TBK	Flat Downlight 6" Trim Black
FD4TBN	Flat Downlight 4" Trim Brushed Nickel
FD6TBN	Flat Downlight 6" Trim Brushed Nickel

Dimensions



FD4R4CCT



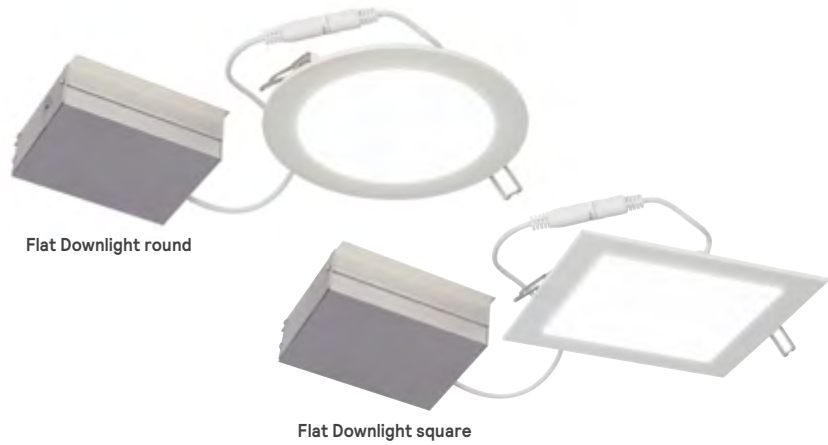
FD6R4CCT



Flat Downlight

Lean, mean, lighting machine

Measures only 1/2" in depth, allowing for easy installation without concern for ceiling plenum space.



Flat Downlight round

Flat Downlight square

Why choose the Flat Downlight?

- Quick and easy installation without frame or reflector.
- 1" depth, low profile for non-intrusive install.
- Dimmable to 10%.
- Lifetime >50,000 hours (L70).
- IC-rated for direct contact with insulation.
- UL1598 wet location rated.



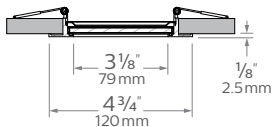
Luminaire

Catalog Code	Style	Lumens	CCT	Dimming	Replaces
FD4R07930TE1W	4" round	700lm	3000K	ELV/TRIAC	50W PAR20
FD4S07930TE1W	4" square				
FD6R09930TE1W	6" round	900lm	3000K	ELV/TRIAC	65W PAR30
FD6S09930TE1W	6" square				

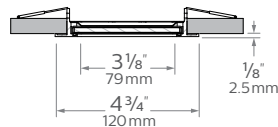
Accessories

Catalog Code	Description
FDRN	Round new construction plate
FDSN	Square new construction plate
FD06C	6ft extension cable
FD20C	20ft extension cable

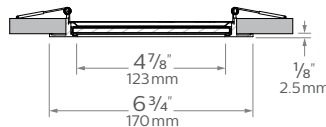
Dimensions



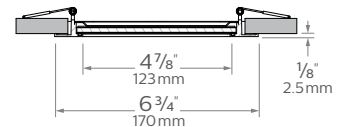
FD4R07930TE1W



FD4S07930TE1W



FD6R09930TE1W



FD6S09930TE1W





Mini Downlight baffle



Mini Downlight gimbal

Mini Downlight

Accent with accuracy,
install with ease

Let you emphasize without the size. Easy-install fixtures with a detachable junction box.



Why choose Mini downlight baffle & gimbal?

- Quick and easy installation without frame or reflector.
- 1" depth, low profile for non-intrusive install.
- Dimmable to 10%.
- Lifetime >50,000 hours (L70).
- IC-rated for direct contact with insulation.
- UL1598 wet location rated.

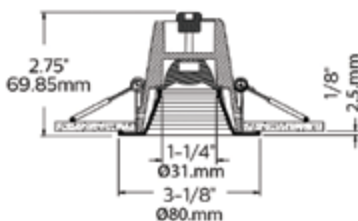
Luminaire

Catalog Code	Style	Lumens	CCT	Dimming	Replaces
MD3R069301FW	3" round baffle	550lm	3000K	120V	50W MR16
MG3R06930NF1W	3" round gimbal				

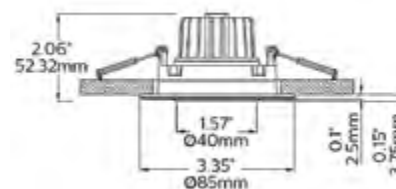
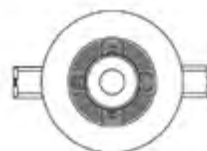
Accessories

Catalog Code	Description
MDRN	Round new construction plate
MD06C	6ft extension cable
MD20C	20ft extension cable

Dimensions



MD3R069301FW



MG3R06930NF1W



Surface Mount Downlight 7"



Surface Mount Downlight 5"

Surface Mount Downlight

The shallow ceiling problem solver

Ideal when you are faced with a challenging ceiling, but you still want a good-looking downlight.

Why choose the Surface Mount Downlight?

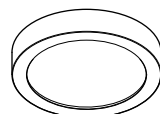
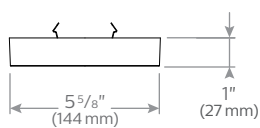
- Easy to install on standard J-boxes.
- Surface mount downlight solves the problem of limited plenum space.
- Glare controlling lens for comfortable light distribution.
- Affordable alternative to Air-Seal IC recessed housings.
- Support wire attached for easy installation.
- Energy Star and Title 24 listed.



Luminaire

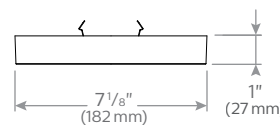
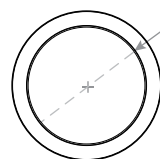
Catalog Code	Style	Lumens	CCT	Dimming	Replaces
SD5R079301W	5" round	700lm	3000K	ELV/TRIAC	65W PAR30
SD7R099301W	7" round	900lm	3000K	ELV/TRIAC	75W PAR38

Dimensions



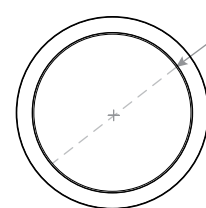
SD5R079301W

4.45"
(113 mm)



SD7R099301W

5.94"
(151 mm)



SlimSurface 5"



SlimSurface 7"

SlimSurface

Add style and light
to any space easily

Ideal when you are faced with a challenging ceiling, but you still want a good-looking downlight.



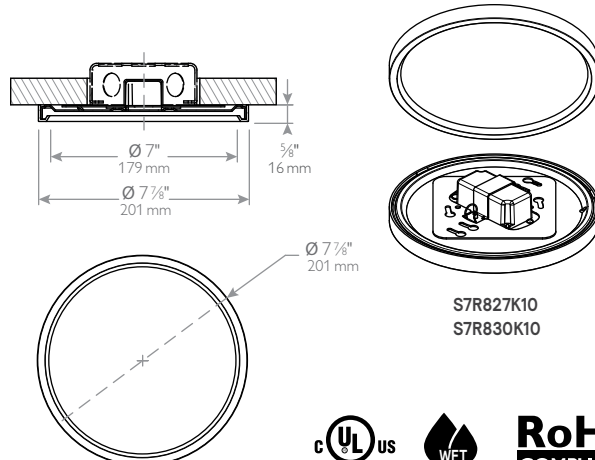
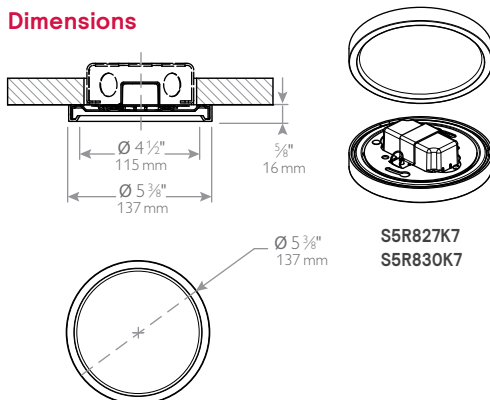
Why choose SlimSurface?

- Slender 5/8" profile solves the problem of limited plenum space.
- Easy to install on standard J-boxes with a quick snap.
- Affordable as alternative to Air-Seal IC recessed housings or Fire-Rated boxes.
- Wet location listing allows for use in showers and bathrooms (if code requires)
- Even illumination edge-lit technology (flex strip LEDs) will give even illumination with no dark spots or shadows

Luminaire

Catalog Code	Style	Lumens	CCT
S5R827K7	5" round	650lm	2700K
S5R830K7			3000K
S7R827K10	7" round	1000lm	2700K
S7R830K10			3000K

Dimensions



Commercial Retrofit Downlight

Bright, brighter, brightest... **it's your choice**

Will reduce onsite time and headaches for busy installers with its adjustable lumen output switch,

Commercial Retrofit Downlight 4"



Commercial Retrofit Downlight 6"

Why choose the Commercial Retrofit Downlight?

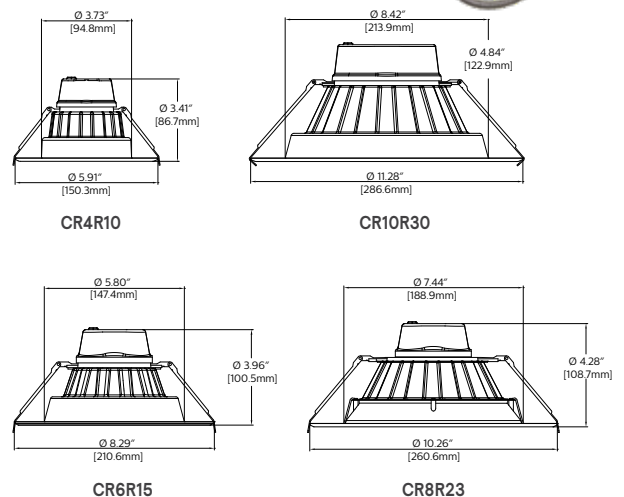
- Adjustable lumen output switch allows you to make choices while you install or afterward.
- Great for different ceiling heights and different light level needs.
- Sturdy metal clips provide a solid fit and easy installation.
- Out-of-the-box pre-wired with flexible metal conduit and easy-twist quick connector.
- 50,000 hour rated life (L70).



Luminaire

Catalog Code	Style	Lumens	CCT	Dimming	Replaces
CR4R10927UW	4" round	500/750/1000lm	2700K	ELV/TRIAC	2x18W CFL
CR4R10930UW			3000K	ELV/TRIAC	
CR4R10935UW			3500K	ELV/TRIAC	
CR4R10940UW			4000K	ELV/TRIAC	
CR6R15927UW	6" round	700/1000/1500lm	2700K	ELV/TRIAC	2x26W CFL
CR6R15930UW			3000K	ELV/TRIAC	
CR6R15935UW			3500K	ELV/TRIAC	
CR6R15940UW			4000K	ELV/TRIAC	
CR8R23927UW	8" round	1000/1500/2300lm	2700K	ELV/TRIAC	2x32W CFL
CR8R23930UW			3000K	ELV/TRIAC	
CR8R23935UW			3500K	ELV/TRIAC	
CR8R23940UW			4000K	ELV/TRIAC	
CR10R30927UW	9.5" round	1500/2000/3200lm	2700K	ELV/TRIAC	2x38W CFL
CR10R30930UW			3000K	ELV/TRIAC	
CR10R30935UW			3500K	ELV/TRIAC	
CR10R30940UW			4000K	ELV/TRIAC	

Dimensions



Retrofit Downlight 4"



Retrofit Downlight 5/6"

Retrofit Downlight

An LED retrofit as **easy as snap & click**

Hassle-free install will save you time and frustration on the job site. You may not even need to open your toolbox.



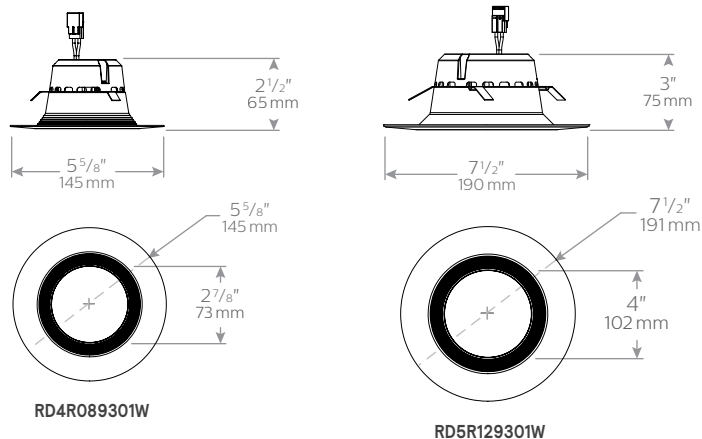
Why choose the Retrofit Downlight?

- Utilizes existing frames to make replacing old downlighting and upgrading to LED, a truly easy task.
- Flexible springs allow for installation without tools.
- Quick-connect plug and medium-based socket adapter means no extra accessories to purchase.
- Contemporary and discreet, white baffle trim design.
- Uniform LED light with glare-reduction filter, means a more comfortable space.

Luminaire

Catalog Code	Style	Lumens	CCT	Dimming	Replaces
RD4R089301W	4" round	900lm	3000K	ELV/TRIAC	50W PAR20
RD5R129301W	5/6" round	1400lm			65W PAR30

Dimensions



LyteCaster

Defining downlighting

Ideal general purpose downlighting solution, providing comfortable, quality light. Offered in two lumen packages, downlight is wet location listed and comes in 3 trim options.



Why choose the LyteCaster downlight?

- Sizes: 4", 5" & 6" round and square
- Efficacy: up to 90 lm/W
- Lumens: 650-2000
- Wattage: 7-20 W
- Voltage: 120V or 120V-277V
- CCT: 2700 K-4000 K
- CRI: 80 & 90 min
- Dimming: ELV/TRIAC & 0-10V
- Lifetime: 50,000 hour (L70)

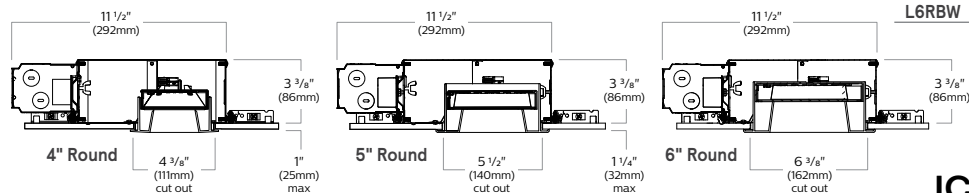


Housing

Catalog Code	Style	Lumens	Description
L4RAE1VA	4" round	650lm	New construction w/screws and ELV (120V)
L4RAZ10UVA			New construction w/screws and 0-10V (Unv 120-277V)
L4RANE1VA			New construction w/nails and ELV (120V)
L4RANZ10VA		New construction w/nails and 0-10V (Unv 120-277V)	
L4R10AE1VA		1000lm	New construction w/screws and ELV (120V)
L4R10AZ10VA			New construction w/screws and 0-10V (Unv 120-277V)
L4R10ANE1VA	New construction w/nails and ELV (120V)		
L4R10ANZ10VA	5" round	1000lm	New construction w/nails and 0-10V (Unv 120-277V)
L5RAE1VA			New construction w/screws and ELV (120V)
L5RAZ10UVA			New construction w/screws and 0-10V (Unv 120-277V)
L5RANE1VA		New construction w/nails and ELV (120V)	
L5RANZ10VA		New construction w/nails and 0-10V (Unv 120-277V)	
L5R15AE1VA		1500lm	New construction w/screws and ELV (120V)
L5R15AZ10VA	New construction w/screws and 0-10V (Unv 120-277V)		
L5R15ANE1VA	New construction w/nails and ELV (120V)		
L5R15ANZ10VA	6" round	1500lm	New construction w/nails and 0-10V (Unv 120-277V)
L6RAE1VA			New construction w/screws and ELV (120V)
L6RAZ10UVA			New construction w/screws and 0-10V (Unv 120-277V)
L6RANE1VA		New construction w/nails and ELV (120V)	
L6RANZ10VA		New construction w/nails and 0-10V (Unv 120-277V)	
L6R15AE1VA		New construction w/screws and ELV (120V)	

Note: Leave lumens field blank to specify 4" 650lm, 5" 1000lm or 6" 1500lm configurations.

Dimensions



Engine

Cat. Code	Style	Lumens	Description
L4R827VA	4" round	650lm	80CRI / 2700K
L4R830VA			80CRI / 3000K
L4R927VA			90CRI / 2700K
L5R827VA	5" round	1000lm	80CRI / 2700K
L5R830VA			80CRI / 3000K
L5R927VA			90CRI / 2700K
L5R15827VA	6" round	1500lm	80CRI / 2700K
L5R15830VA			80CRI / 3000K
L5R15927VA			90CRI / 2700K
L6R827VA	6" round	1500lm	80CRI / 2700K
L6R830VA			80CRI / 3000K
L6R927VA			90CRI / 2700K

Trim

Cat. Code	Style	Description
L4RDD	4" round	Downlight / Clear diffuse with white flange
L4RDW		Downlight / White with white flange
L4RBW		Baffle downlight / White with white flange
L5RDD	5" round	Downlight / Clear diffuse with white flange
L5RDW		Downlight / White with white flange
L5RBW		Baffle downlight / White with white flange
L6RDD	6" round	Downlight / Clear diffuse with white flange
L6RDW		Downlight / White with white flange
L6RBW		Baffle downlight / White with white flange





LyteCaster Accent

Design versatility to fit any space

A wide range of options to customize your lighting solution for any application with efficacies ranging up to 800 lm/W.



Why choose the LyteCaster Accent?

- Sizes: 3"
- Efficacy: up to 72 lm/W
- Lumens: 800
- Wattage: 11 W
- Voltage: 120V or 120V-277V
- CCT: 2700 K-3500 K
- CRI: 80 min.
- Dimming: ELV/TRIAC (10%)
- Lifetime: 50,000 hour (L70)

Housing

Catalog Code	Style	Description
L3NZ10U	3" round	New construction and 0-10V (Unv 120/277V)
L3AE1		New construction w/screws and ELV/TRIAC (120V)
L3ANE1		New construction w/nails and ELV/TRIAC (120V)
L3CE1		Remodeler and ELV/TRIAC (120V) ¹

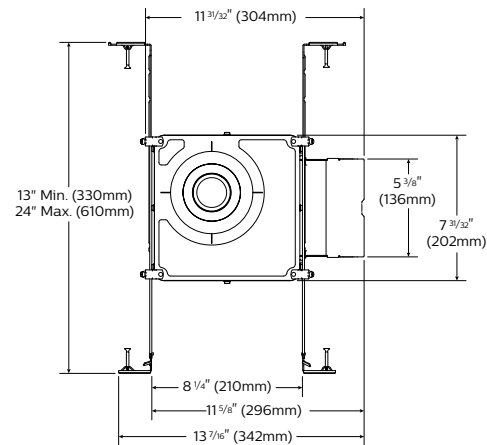
Engine

Catalog Code	Style	Description
L308827S	3" round Spot (17°)	80CRI / 2700K
L308830S		80CRI / 3000K
L308835S		80CRI / 3500K
L308827NF	3" round Narrow Flood (22°)	80CRI / 2700K
L308830NF		80CRI / 3000K
L308835NF		80CRI / 3500K
L308827F	3" round Flood (33°)	80CRI / 2700K
L308830F		80CRI / 3000K
L308835F		80CRI / 3500K

Trim

Catalog Code	Style	Description
L3RDW	3" round	Downlight / White Cone with white flange
L3RBW		Baffle / White Baffle with white flange
L3RGW		Gimbal / white flange ²
L3RSW		Shower Light / white flange
L3SDD	3" square	Downlight / Diffuse Cone with white flange

Dimensions



1. Remodeler frame is not compatible with adjustable trim.
 2. Gimbal (G) trims come with accessory holder (see spec sheets for complete listings of accessories).



Lytening (new construction)

The quick & easy install solution

Ideal general purpose downlighting solution, providing comfortable, quality light. Offered in two lumen packages, downlight is wet location listed and comes in 3 trim options.



Why choose the Lytening downlight?

- These frames provide you with a good choice of standard downlighting trims, wattages and lamping selections.



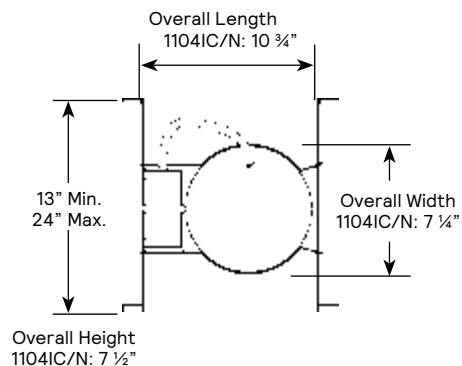
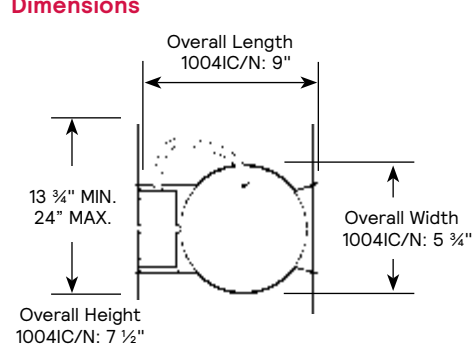
Housing

Catalog Code	Style	Description
1004IC	5" round	New construction Airseal IC w/screw
1004ICN		New construction Airseal IC w/nail
1004ICX		New construction Airseal ICX w/screw
1004ICNQ		New construction Airseal IC w/quick connect
1104IC	6 3/4" round	New construction Airseal IC w/screw
1104ICX		New construction Airseal ICX w/screw
1104ICN		New construction Airseal IC w/nail
1104ICNQ		New construction Airseal IC w/quick connect

Trim

Catalog Code	Style	Description
1071	5" round	White Open Reflector
1076WH		White Basic Baffle
1177LX	5" & 6 3/4" round	White Flush Glass Shower Light
1176	6 3/4" round	Black Basic Baffle
1176WH		White Basic Baffle
1176WHS		White Basic Baffle Reflector
1182		White Basic Eyeball

Dimensions





Lytensing (low voltage)

The quick & easy install solution

Provide you with a good choice of standard low voltage frames with compatible trims, and lamping selections.



Why choose the Retrofit Downlight?

- Utilizes existing frames to make replacing old downlighting and upgrading to LED, a truly easy task.
- Flexible springs allow for installation without tools.
- Quick-connect plug and medium-based socket adapter means no extra accessories to purchase.
- Contemporary and discreet, white baffle trim design.
- Uniform LED light with glare-reduction filter, means a more comfortable space.

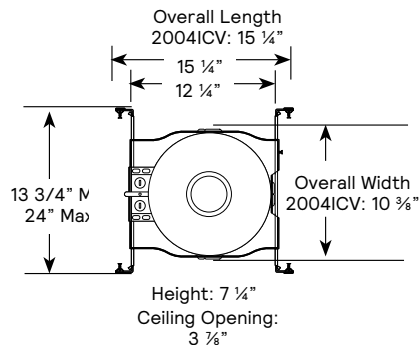
Housing

Catalog Code	Style	Description
2004ICV	3 3/4" round	New construction Airseal IC w/screw
2004ICVN		New construction Airseal IC w/nail

Trim

Catalog Code	Style	Description
2005	3 3/4" round	Black Baffle
2005WH		White Baffle
2013		Specular Clear Cone
2013CD		Clear Diffuse Cone
2013WH		White Cone

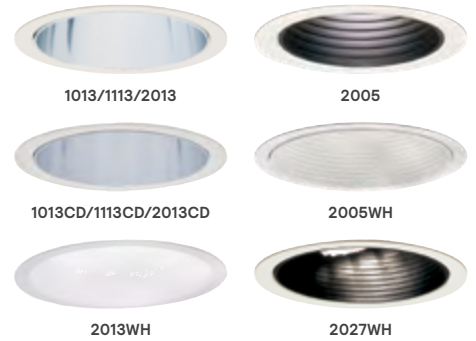
Dimensions



Lytening (remodeler)

The quick & easy install solution

Ideal general purpose downlighting solution, providing comfortable, quality light. Offered in two lumen packages, downlight is wet location listed and comes in 3 trim options.



Why choose the Lytening downlight?

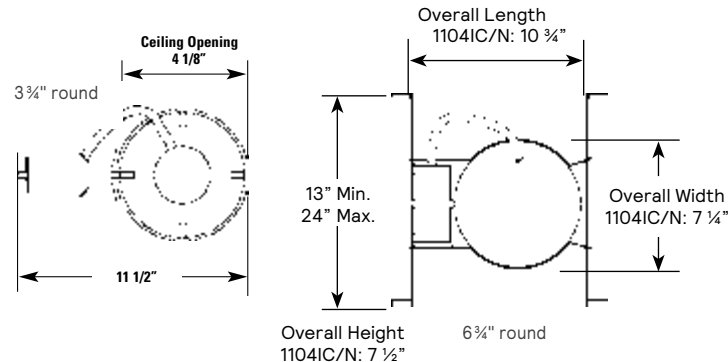
- These frames provide you with a good choice of standard downlighting trims, wattages and lamping selections.



Housing

Catalog Code	Style	Description
2003R	3 3/4" round	Remodeler Ring Non-IC
2003RS	3 3/4" round	Remodeler Non-IC
1104IC	6 3/4" round	Remodeler Ring Non-IC

Dimensions



Trim

Catalog Code	Style	Description
2005	3 3/4" round	Black Baffle
2005WH		White Baffle
2013		Specular Clear Cone
2013CD		Clear Diffuse Cone
2013WH		White Cone
2027WH		White Step Baffle
1013	5" round	Specular Clear Cone
1013CD		Clear Diffuse Cone
1113	6 3/4" round	Specular Clear Cone
1113CD		Clear Diffuse Cone



9021WH



9173BWH



9175NWH

Basic track heads

Conventional track heads

A variety of product families to choose from that can provide the right lighting for the right application, all with the trusted Lightolier quality.



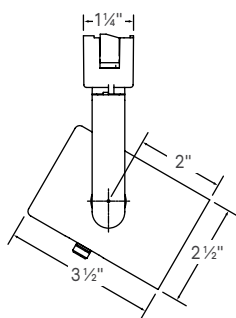
Why choose the Basic track heads?

- Designed with minimalistic form to create a close fit with LED lamps
- Units adjust horizontally and vertically for proper illumination aiming
- Front re-lamping for easy maintenance

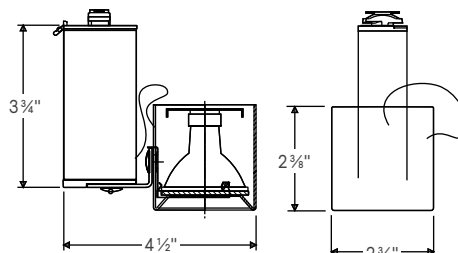
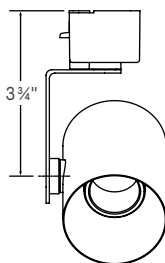
Luminaire

Catalog Code	Mounting	Finish	Compatible lamping
9021WH	Lytespan Track	Matte White	PAR16, R20, PAR20, PAR30 & PAR38 from 30W to 250W
9173BWH	Lytespan Track	Matte White	MR16 50W max.
9175NWH	Lytespan Track	Matte White	MR16 75W max.

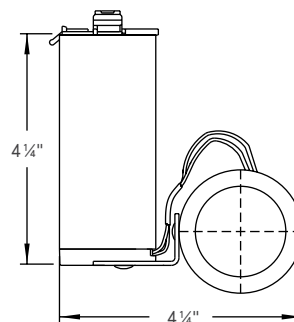
Dimensions



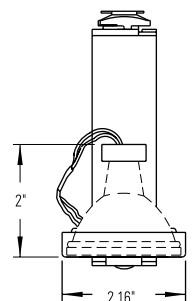
9021WH



9173BWH



9175NWH



Gimbal Rings

Clean design for a close fit

Features a minimalistic form designed with LED lamps in mind, helping keep the customer's focus where you want it to be.



Why choose the Gimbal Rings?

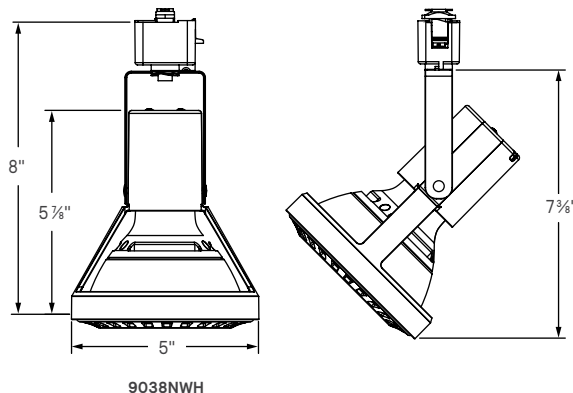
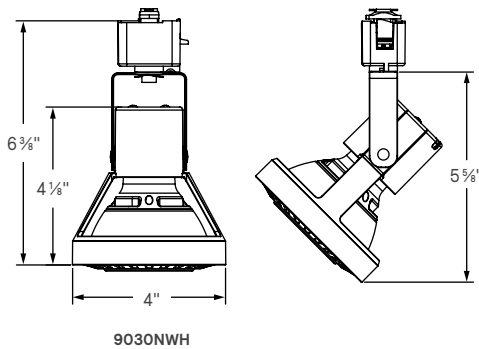
- Designed with minimalistic form to create a close fit with LED lamps
- Miniaturized detailed yoke and ring-shaped lampholder for a clean appearance
- Front re-lamping for easy maintenance
- Units adjust horizontally up to 350° and vertically up to 90°
- Molded polycarbonate bodies allow for scratch free handling during installation and re-lamping



Luminaire

Catalog Code	Mounting	Finish	Compatible lamping
9030NWH	Lytespan Track	Matte White	PAR30 LED lamps
9038NWH	Lytespan Track	Matte White	PAR38 LED lamps

Dimensions



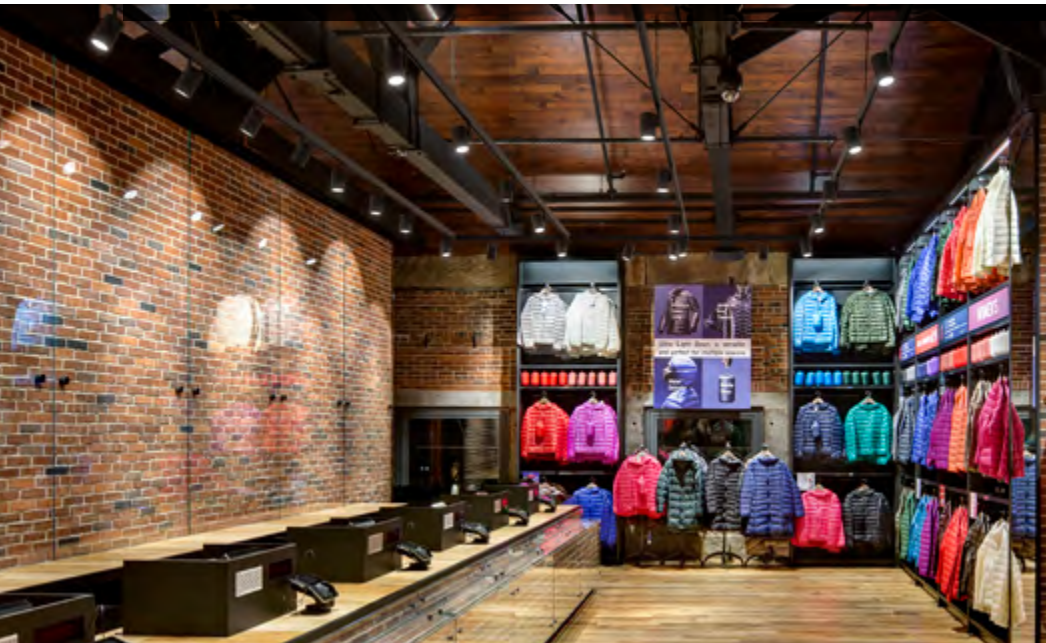


LC10830WTE

OmniSpot

Small is the **new big**

These luminaires are no exception. Combining compact design with power to keep attention focused exactly on designated areas of interest.



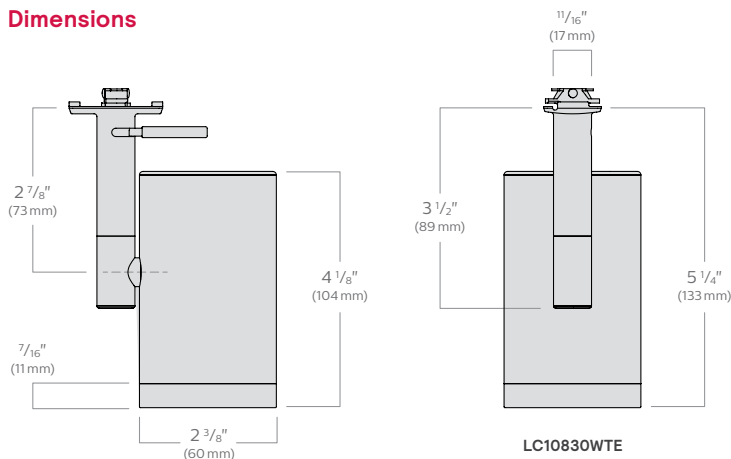
Why choose OmniSpot?

- Designed with minimalistic form to create a close fit with LED lamps
- Units adjust horizontally and vertically for proper illumination aiming
- Front re-lamping for easy maintenance

Luminaire

Catalog Code	Mounting	Finish	Description
LC10830WTE	Lytespan Track	Matte White	1000lm, 80CRI, 3000K, Trailing edge (ELV)

Dimensions



LC10830WTE



Basic Track

Sleek and **streamlined**

Basic Track is a one circuit one neutral track that allows for many additional options.



6001N / 6002N

Why choose Basic Track?

- Single circuit with capacity of 20 amps at 120V
- Can be installed vertically or horizontal on walls
- Can be field cut
- Use with suspension beam or recessed housings



Components

Basic Ind. Track
6001N (4-foot)
6002N (8-foot)

- Matte White
- Matte Black

Includes Live End, Dead End Cover and hardware.

Basic Joiner
6003N (8-foot)

- Matte White
- Matte Black

Includes concealed Mini-Coupler and hardware.

Basic Plain Track
6004N (45-1/4")
6008N (93-1/4")

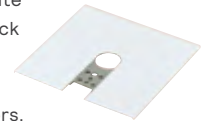
- Matte White
- Matte Black

Includes Dead End Cover and hardware.

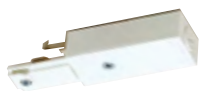
End Feed Canopy kits
6060 4 1/2" square

- Matte White
- Matte Black

Mounts above feed connectors.



Power Extension Connector
6046N Basic
(BK, WH & AL)



Use opposite Live End to power other track sections when obstructions exist.

Live End Connector
6048N Basic
(BK, WH & AL)



Electrifies track from beginning of run (Included in Individual Track).

Mini Coupler (included in joiner)
6049N Basic
(BK, WH & AL)

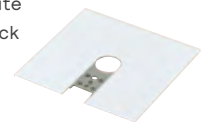


Invisible spline for joining two track units. Not a power feed point.

Floating Canopy kits
6061N 4 1/2" square

- Matte White
- Matte Black

Mounts above track system.



Day-Brite

CFI

by @ignify



HCX sealed high bay

Modern design + energy savings

A great new look with no more sacrifices and dependability you can trust.



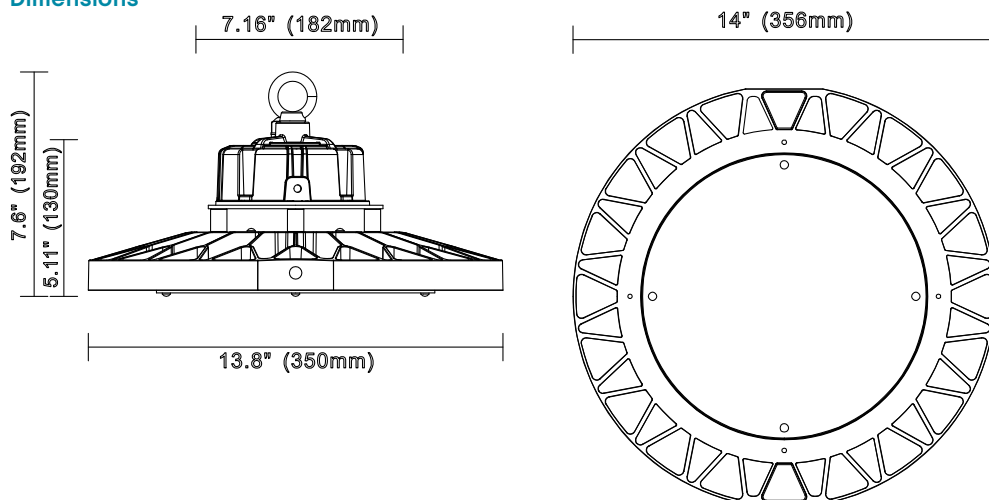
Why choose HCX sealed high bay?

- Corrosion resistant black finish
- Heavy duty eyelet provided for connection to customer-supplied suspension
- Lumen maintenance up to 70% (L70) at 50,000 hours
- Exposed leads for wiring with sleeving for environmental protection
- Listed cULus for use in wet locations up to 40°C ambient
- Components are IP65 rated

Luminaire

Catalog Code	Lumens	CCT	Voltage	Replaces
HCX15L840-UNV-DIM	15,000	4000K	120-277V	6 x F32T8 or 400W HID
HCX22L840-UNV-DIM	22,000	4000K	120-277V	8 x F32T8 or 400W HID

Dimensions



FCX value high bay

Update & upgrade for **real savings**

Low profile and durable design, efficiency and great price – FCX value high bay has it all.



Why choose FCX value high bay?

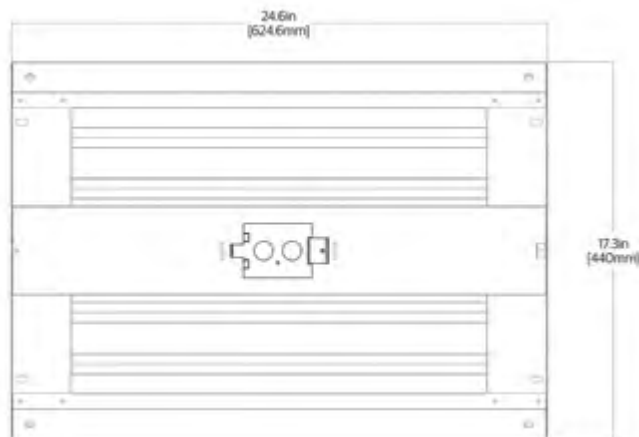
- Die formed sheet metal housing and end plates
- Corrosion resistant gloss white paint after fabrication
- V-hooks and 48" chains supplied for install (set of 2)
- Lumen maintenance up to 70% (L70) at 50,000 hours
- Access plate located on top of housing for easy wiring
- cULus listed for use in damp locations up to 40°C ambient
- Components are DesignLights Consortium qualified



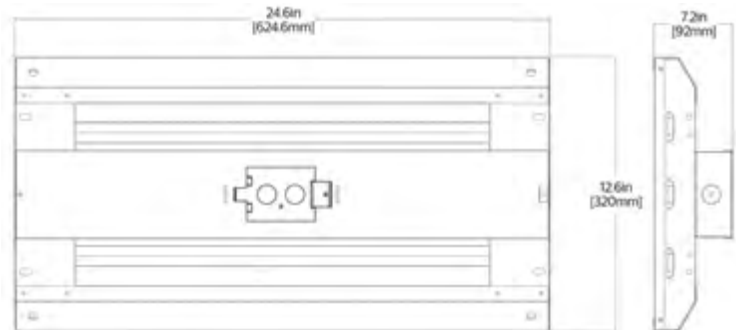
Luminaire

Catalog Code	Lumens	CCT	Voltage	Replaces
FCX15L840-UNV-DIM	15,000	4000K	120-277V	6 x F32T8 or 400W HID
FCX22L840-UNV-DIM	22,000	4000K	120-277V	8 x F32T8 or 400W HID

Dimensions



FCX22L840-UNV-DIM



FCX15L840-UNV-DIM



Wire Guard
(accessory)

FBX high bay

Compact & economical
with the latest technology

Save energy without straining your project budget or sacrificing light output.



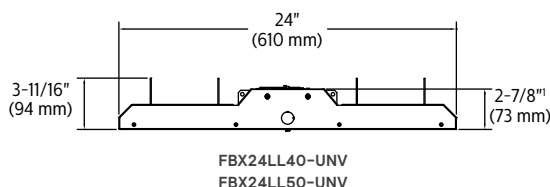
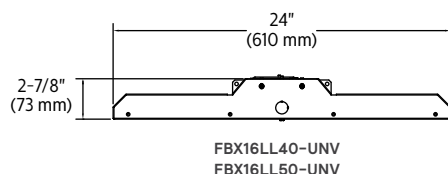
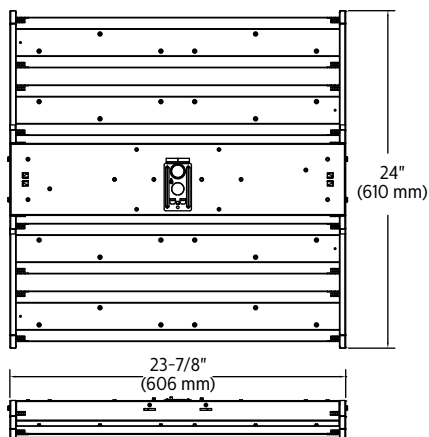
Why choose FBX high bay?

- Versatile fixture ideal for a variety of spaces including warehouses, big box retail and school gymnasiums
- 16,000 & 24,000 lumen options
- Both 2x2 foot versions are serious energy savers with efficacy up to 138lm per watt
- Dimming is standard
- Simple installation

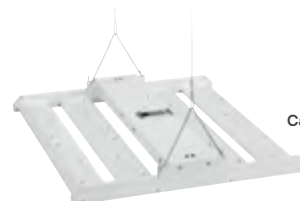
Luminaire

Catalog Code	Lumens	CCT	Dimming	Replaces
FBX16LL40-UNV	16,000	4000K	0-10V	6 x F32T8 or 400W HID
FBX16LL50-UNV	16,000	5000K		
FBX24LL40-UNV	24,000	4000K	0-10V	8 x F32T8 or 400W HID
FBX24LL50-UNV	24,000	5000K		

Dimensions



Pendant Hanger
(adds 3" to height)



Cable Mount & V brackets
(5' or 10' cables)



Chain Kit & V brackets
(54" chains)



FBY high bay

Versatility in form and function

Reliable and cost-friendly solutions for your big industrial or institutional spaces.



Why choose FBY high bay?

- Designed for a variety of applications, perfect for educational facilities, warehouses and retail outlets
- 12,000, 18,000, or 24,000 lumen options
- A variety of useful mounting accessories
- Components are DesignLights Consortium qualified
- Dimming is standard
- Simple installation of 1x2



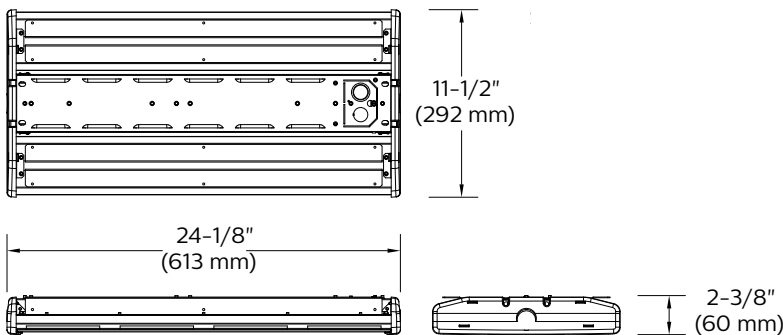
Luminaire

Catalog Code	Lumens	CCT	Dimming	Replaces
FBY12L840-UNV	12,000	4000K	0-10V	4 x F32T8 or 250W HID
FBY12L850-UNV	12,000	5000K		
FBY18L840-UNV	18,000	4000K	0-10V	6 x F32T8 or 400W HID
FBY18L850-UNV	18,000	5000K		
FBY24L840-UNV	24,000	4000K	0-10V	8 x F32T8 or 400W HID
FBY24L850-UNV	24,000	5000K		

High bay mounting accessories

HCH5-VHOOK, HCH10-VHOOK, HNH5-VHOOK, FBY-PENHGR
(54" chains and V hooks, 10' cable & V hooks, 5' cable and V hooks, pendant hanger)

Dimensions





FluxStream EZ

Real convenience for your operation's success

Tough and dependable luminaires designed for ease of handling and flexibility.



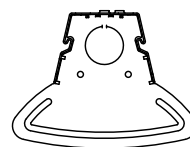
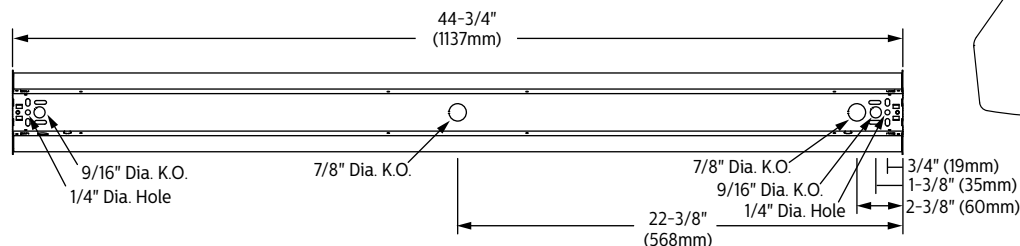
Why choose FluxStream EZ?

- Tough and dependable, the LED Linear family includes strip, wraparound, and industrial luminaires
- Efficacy up to 131 lumens per watt
- Before, during and after installation, you can trust them to help you quickly complete projects without hassles or troubleshooting, while delivering consistent comfort and long-term energy savings
- Simple installation

Luminaire

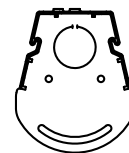
Catalog Code	Lumens	CCT	Dimming	Description	Replaces
FSSEZ440L830-UNV	4,000	3000K	N/A	4' Strip	2 x F32T8
FSSEZ440L835-UNV	4,000	3500K			
FSSEZ440L840-UNV	4,000	4000K			
FSWEZ440L830-UNV	4,000	3000K	N/A	4' Wraparound	2 x F32T8
FSWEZ440L835-UNV	4,000	3500K			
FSWEZ440L840-UNV	4,000	4000K			
FSI455L840-UNV-DIM	5,500	4000K	0-10V	4' Industrial	3 x F32T8
FSI8110L840-UNV-DIM	11,000	4000K	0-10V	8' Industrial	6 x F32T8

Dimensions



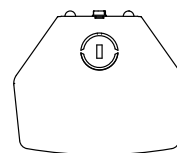
Linear industrial (FSI)

- Efficacy: 131 lm/W
- 4ft & 8ft lengths
- Lumen outputs: 5500 or 11,000lm*
- CCT: 4000K
- 0-10V 1% dimming



Linear strip (FSS)

- Efficacy: 114 lm/W
- 4ft lengths
- Lumen output: 4000lm*
- CCT: 3000K, 3500K or 4000K



Linear wraparound (FSW)

- Efficacy: 104 lm/W
- 4ft length
- Lumen output: 4000lm*
- CCT: 3000K, 3500K or 4000K

* Nominal delivered lumen output at 25°C ambient.

OW wraparound

Functional & economical lift-and-shift wrap

Ideal for surface mount general illumination
in light commercial and residential applications.



Why choose the OW wraparound?

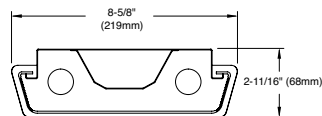
- Full steel end plates feature embosses for improved aesthetics
- 1% virgin acrylic lens hinges from either side
- Housing is multi-stage phosphate treated
- Multiple knockouts
- For surface or stem mounting



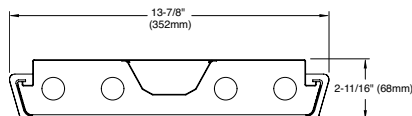
Luminaire

Catalog Code	Description	No. of lamps per cross section	Voltage	Compatible lamping
OWN232-UNV	Narrow	2 (not included)	Universal 120/277V	32WT8 (48")
OWW432-UNV	Wide	4 (not included)		

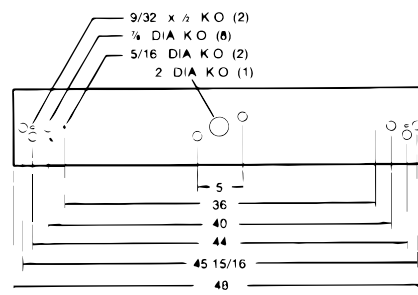
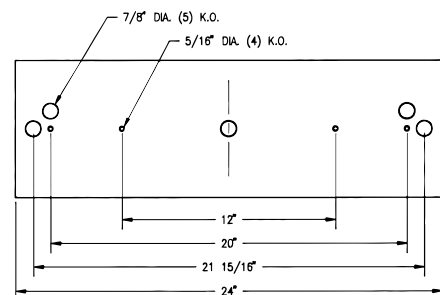
Dimensions



OWN2



OWW4





OWL wraparound

Achieve a balance of **performance and appeal**

Offers an optimal balance between LED performance and quality of light.



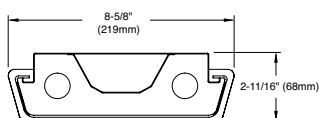
Why choose OWL wraparound?

- Small profile footprint with performance similar to wider conventional wraparounds
- Diffused acrylic lens provides optimum visual comfort
- 50,000hr (L70) LED lumen maintenance¹
- 5 year warranty based on 25°C ambient²
- 80+ CRI

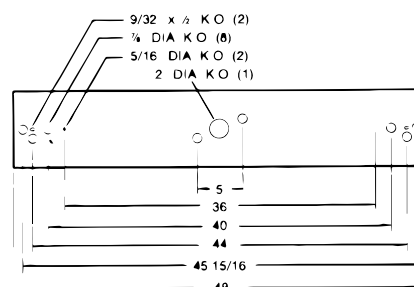
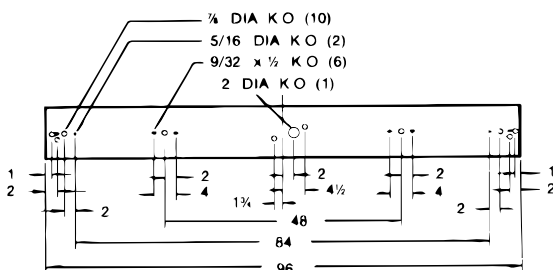
Luminaire

Catalog Code	Description	Lumens ⁴	CCT	Voltage	Compatible lamping
OWL440L835-UNV	4' length	4,000	3500K	Universal 120/277V	32WT8 (48")
OWL440L840-UNV	4' length	4,000	4000K		

Dimensions



OWL4



1. Nominal total delivered lumens.
2. Based on 25°C ambient operating temperature.
3. Visit signify.com/warranties for full warranty information.
4. OWL luminaires are Designlights Consortium® qualified. Please see the DLC QPL list for exact catalog numbers (<http://www.designlights.org/QPL>).



Day-Brite

CFI

by Signify

VTC sealed strip

Rugged reliability for efficient environments

Works hard and long to give you the durability you are looking for in challenging locations.



Why choose the VTC sealed strip?

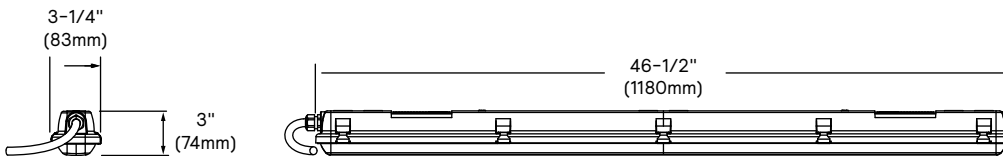
- Grey one piece, molded polycarbonate body with no rusting, no oxidation, and no corrosion
- Standard lens is frosted
- Gasket provides tight seal between plastic lens and housing
- Stainless steel latches are standard
- Hanging V hooks included (set of 2)
- cULus listed to meet UL 1598 standards for -10°C to 40°C ambient and suitable for wet locations



Luminaire

Catalog Code	Lumens	CCT	Voltage	Replaces
VTC436L840-UNV	3,600	4000K	Universal 120/277V	1 x F32T8

Dimensions



Day-Brite

CFI

by Signify



SLS linkable strip

Get a team of lights
working for you

Discover how continuous rows give you the quality of light needed in hard-working spaces.



Why choose the SLS linkable strip?

- Ideal for commercial or residential applications
- Available in 2Ft and 4Ft lengths
- High efficacy, more than 100 lumens per watt
- Frosted acrylic lens for even, low glare lighting
- Damp location listed
- 5 years limited warranty

Luminaire

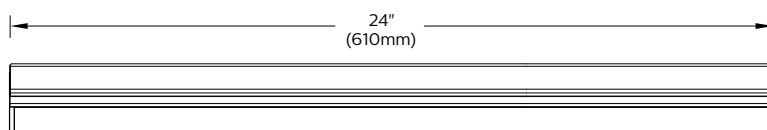
Catalog Code	Description	Lumens ⁴	CCT	Voltage	Replaces
SLS216L840-UNV	2' length	1,600	4000K	Universal 120/277V	1 x F17T8
SLS432L840-UNV	4' length	3,200	4000K	Universal 120/277V	1 x F32T8

Dimensions

1-3/4"
(45mm)



2-1/4"
(57mm)



Day-Brite

CFI

by Signify

SCD wide strip

Convenient lighting solution, **real value**

Make your project run smoothly and keep your budget on track.



Why choose the SCD wide strip?

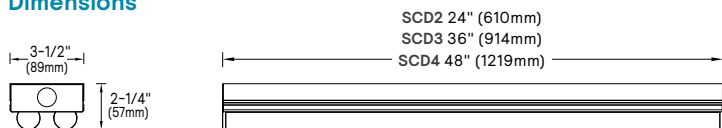
- White painted metal housing for durability
- Frosted acrylic lens for even, low glare lighting
- Hardware for surface mounting included
- Easy hanging installation with holes provided in housing
- cULus listed to meet UL 1598 standards for -10C to 35C ambient
- Suitable for damp locations
- 5 Year limited warranty



Luminaire

Catalog Code	Description	Lumens	CCT	Voltage	Replaces
SCD220L840-UNV	2' length	2,000	4000K	Universal 120/277V	1 x F17T8
SCD330L840-UNV	3' length	3,000	4000K	Universal 120/277V	1 x F25T8
SCD428L840-UNV	4' length	2,800	4000K	Universal 120/277V	1 x F32T8
SCD450L840-UNV	4' length	5,000	4000K	Universal 120/277V	2 x F32T8

Dimensions

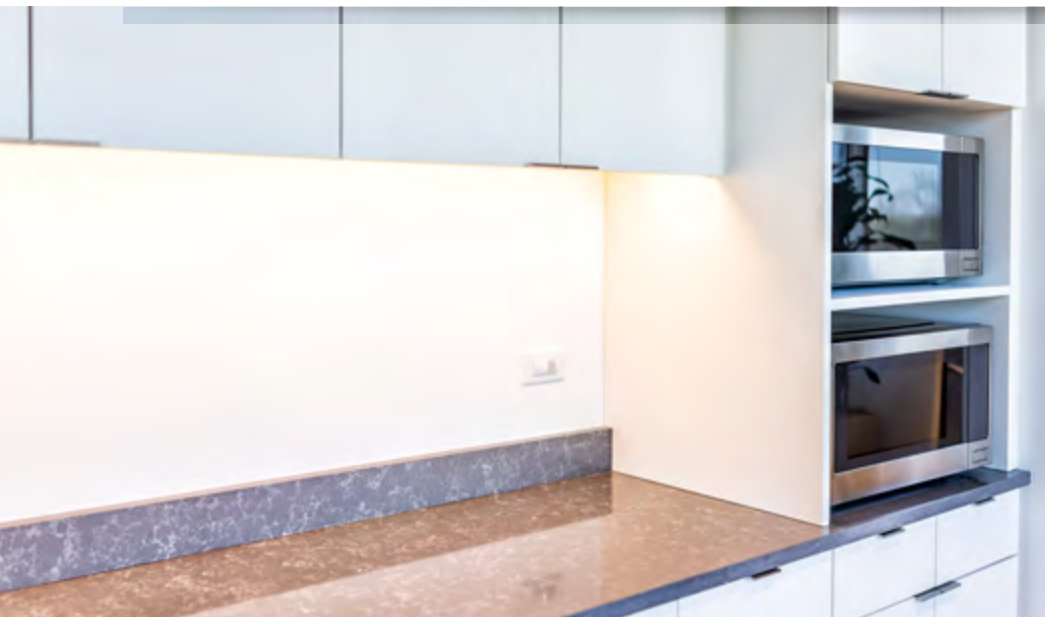




Valueline SL

Economical undercabinet

This undercabinet is an economical T5 luminaire with electronic ballast, it's available in 12", 21", 24", 33", and 42" lengths.



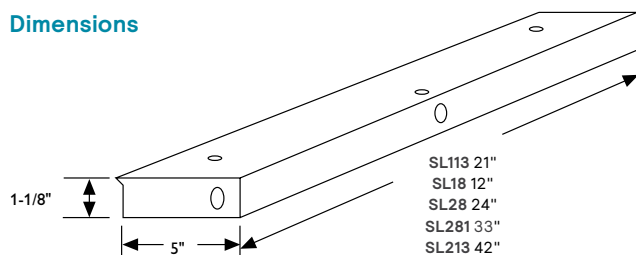
Why choose the Valueline SL undercabinet?

- Multiple lengths means flexibility for different needs
- Ultra slim styling is unobtrusive

Luminaire

Catalog Code	Description	CCT	Voltage	Replaces
SL113-120	21" length	4000K (lamp provided)	120V	1 x 13WT5 (21.25")
SL18-120-EB-LP	12" length	4000K (lamp provided)	120V	1 x 8WT5 (12.25")
SL28-120-EB-LP	24" length	4000K (lamp provided)	120V	2 x 8WT5 (24.50")
SL281-120	33" length	4000K (lamp provided)	120V	1 x 8WT5/1-13WT5 (33.50")
SL213-120	42" length	4000K (lamp provided)	120V	2 x 13WT5 (42.50")

Dimensions



T standard strip

Economical, functional

A basic strip luminaire available in multiple lamp and reflector types.



Why choose the T standard strip?

- Convenient installation
- Suitable for unit, row, surface or suspension mounting
- Suitable for damp locations

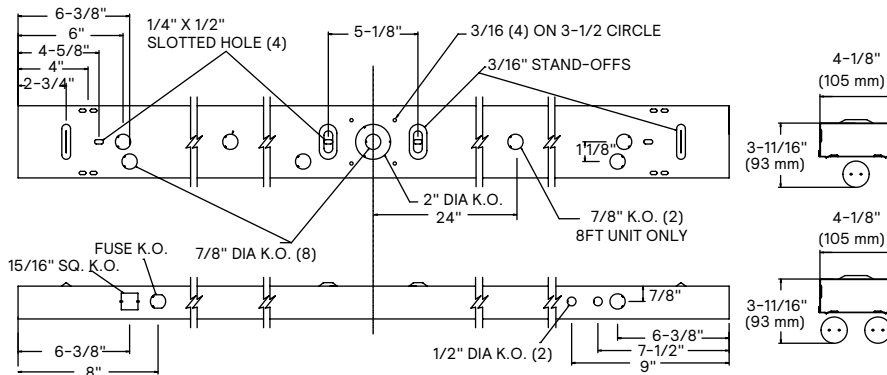


Luminaire

Catalog Code	Description	Voltage	Compatible lamping
T232-UNV	4' length standard strip	Universal 120/277V	32WT8
TT232-UNV	4' length tandem "T" series (32W only)	Universal 120/277V	32WT8

Dimensions

NOTE: 2' & 3' MODELS INCLUDE ONLY OUTBOARD DETAILS





FluxPanel gen 2

A good deal more than quality & long life

A low profile, dimmable luminaire that provides peace of mind and reliable lasting performance.



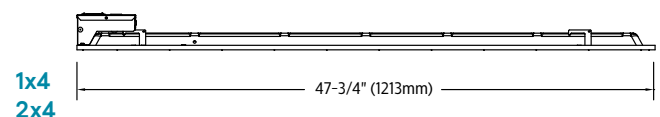
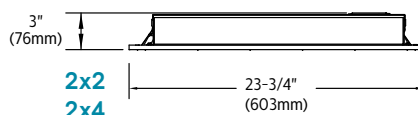
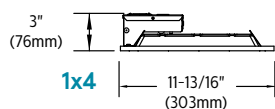
Why choose FluxPanel?

- Help bolster wellbeing and productivity without worrying about flicker and other undesired effects
- Welcoming spaces free of glare with color that remains consistent throughout the space and over time
- Protect the integrity of electrical equipment and overall building efficiency from the effects of total harmonic distortion
- Well-suited for office, healthcare and educational facilities

Luminaire

Catalog Code	Description	CCT	Dimming	Replaces
1FPZ38B835-4-DS-UNV-DIM	1'x4'	3500K	0-10V	2 x F28T8
1FPZ38B840-4-DS-UNV-DIM		4000K	0-10V	
2FPZ38B835-2-DS-UNV-DIM	2'x2'	3500K	0-10V	2 x F17T8
2FPZ38B840-2-DS-UNV-DIM		4000K	0-10V	
2FPZ38B850-2-DS-UNV-DIM		5000K	0-10V	
2FPZ42B835-4-DS-UNV-DIM	2'x4'	3500K	0-10V	2 x F32T8
2FPZ42B840-4-DS-UNV-DIM		4000K	0-10V	
2FPZ42B850-4-DS-UNV-DIM		5000K	0-10V	

Dimensions



Day-Brite

CFI

by Signify

Selectable Backlit Panel

Make the **easy selection**

Carry less stock with more options.



Why choose Selectable Backlit Panel?

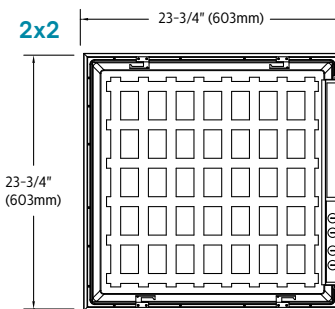
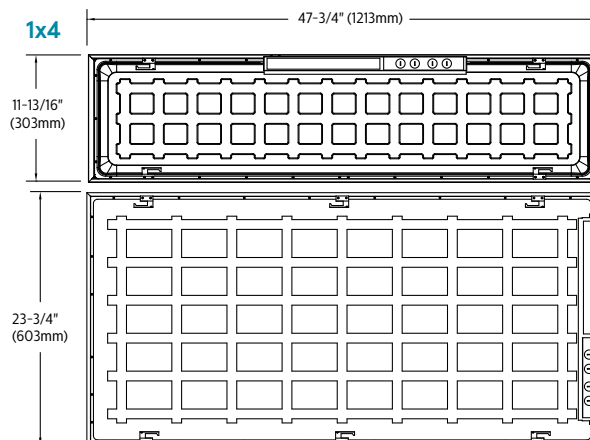
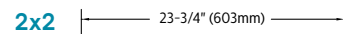
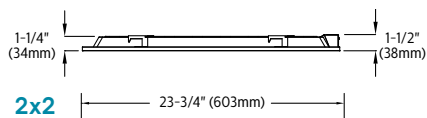
- 3 color temperature selections, 3 wattage choices, and 3 sizes available, you can provide
- Numerous options to your customers, while keeping inventory levels and SKU count low
- Available for use in recessed, suspended and surface mount applications



Luminaire

Catalog Code	Size	Voltage	Wattage	Lumens			Efficacy		
				3500K	4000K	5000K	3500K	4000K	5000K
1SBP3040L8CS-4-UNV-DIM	1x4'	120-277	30	3483	3640	3464	114	125	114
			34	3841	4047	3824	112	123	111
			39	4293	4443	4167	110	122	110
2SBP3040L8CS-2-UNV-DIM	2x2'	120-277	30	3260	3434	3296	110	121	111
			34	3597	3819	3641	110	119	110
			39	4247	4207	4006	110	117	110
2SBP3550L8CS-4-UNV-DIM	2x4'	120-277	35	4138	4260	4149	121	128	119
			38	4570	4718	4566	119	127	117
			50	5697	5847	5548	110	124	110

Dimensions



signify.com/Lighttogo



VLTC exit/unit combo



VLTU emergency unit



Indoor remote lamp heads



Outdoor remote lamp heads

Value+

Attractive and economical

Products feature low profile designs and great value.



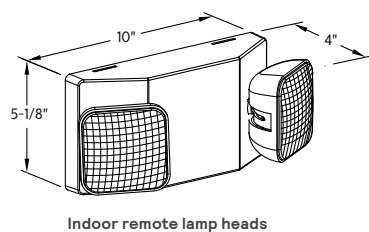
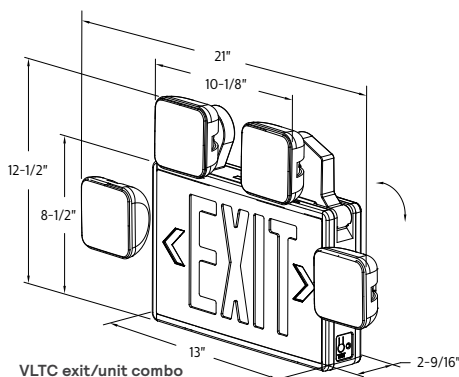
Why choose Value+?

- A complete family of dependable and affordable products to make buying, ordering, and installation for large projects easier
- All variations can mount on wall or ceiling
- Low profile stylish design vs traditional products
- Units and combos also contain a manual test switch with LED light indicator and supply emergency illumination for at least 90 minutes

Luminaire

Catalog Code	Description	# of lamps	Voltage	Notes
VLTCR3R	Exit/unit combo with White finish and Red letters	2 - 1W	3.6V	Remote: 2 - 1W or 1 - 2W heads
VLTU	Emergency unit with White finish	2 - 1W	3.6V	None
VLTUR	Emergency unit with White finish	2 - 1W	3.6V	Remote: 2 - 1W or 1 - 2W heads
VLT1R	Remote lamp heads with White finish	1 - 1W	3.6V	Application: Indoor
VLT2R	Remote lamp heads with White finish	2 - 1W	3.6V	Application: Indoor
VLL1RGO	Remote lamp heads with White finish	1 - 1W	3.6V, 6V,	Application: Outdoor
VLL2RGO	Remote lamp heads with White finish	2 - 1W	9.6V, or 12V	Application: Outdoor

Dimensions



Indoor remote lamp heads



Value+

Flexibility, value & peace of mind

Products feature low profile designs and great value.



VE exit



VLLC exit/unit combo



VLL remote lamp heads



VLLU emergency unit



Outdoor remote lamp heads

Why choose Value+?

- A complete family of dependable and affordable products to make buying, ordering, and installation for large projects easier
- All variations can mount on wall or ceiling
- Low profile stylish design vs traditional products
- Units and combos also contain a manual test switch with LED light indicator and supply emergency illumination for at least 90 minutes



Luminaire

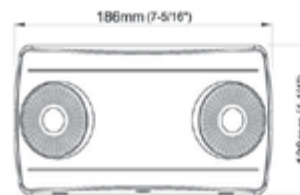
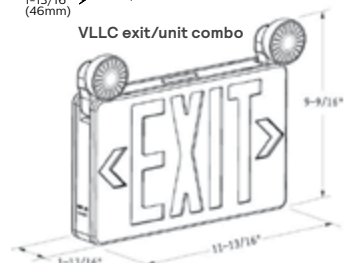
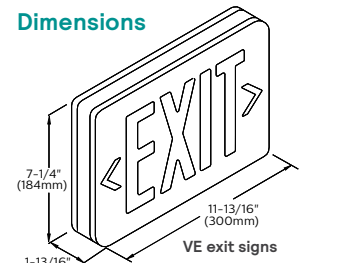
Catalog Code	Description	Notes
VERW	Exit signs with White finish and Red letters	AC only
VEGW	Exit signs with White finish and Green letters	AC only
VERWEM	Exit signs with White finish and Red letters	Emergency (Nicad Battery)
VEGWEM	Exit signs with White finish and Green letters	Emergency (Nicad Battery)

Catalog Code	Description	# of lamps	Voltage	Notes
VLLCR	Exit/unit combo with White finish and Red letters	2 - 1W	3.6V	None
VLLCR2R	Exit/unit combo with White finish and Red letters	2 - 1W	3.6V	2 - 1W or 1 - 2W heads
VLLCG2R	Exit/unit combo with White finish and Green letters	2 - 1W	3.6V	2 - 1W or 1 - 2W heads

Catalog Code	Description	# of lamps	Voltage	Notes
VLLU	Emergency unit with White finish	2 - 1W	3.6V	None
VLLUR	Emergency unit with White finish	2 - 1W	3.6V	2 - 1W or 1 - 2W heads
VLLU2	Emergency unit with White finish	2 - 1W	3.6V	None

Catalog Code	Description	# of lamps	Voltage	Notes
VLL1R	Off-White finish	1 - 1W	3.6V	Application: Indoor
VLL2R	Off-White finish	2 - 1W	3.6V	Application: Indoor
VLL1RGO	Gray finish	1 - 1W	3.6V, 6V, 9.6V, or 12V	Application: Outdoor
VLL2RGO	Gray finish	2 - 1W	3.6V, 6V, 9.6V, or 12V	Application: Outdoor

Dimensions



VLLU emergency unit

signify.com/Lighttogo





Area light

Enhancing a sense of security for the long haul

Energy-saving technology ideal for pole mounted lighting applications.



Why choose Area light?

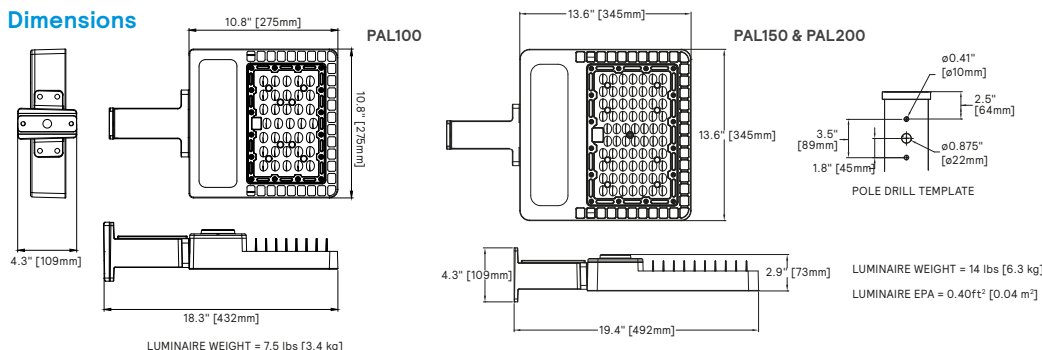
- Budget-friendly, high quality area lighting for parking and outdoor spaces
- LED technology will save up to 68% energy over HID¹
- Mounts standard to round or square pole
- Durable aluminum construction
- Lifetime >54,000 hours²
- 5 year limited warranty

Luminaire

Catalog Code	Wattage	CCT	Voltage	Voltage	Replaces
AL-100-NW-G1-AR-3-8-BZ	100W	4000K	Type 3	12,329	250W PSMH
AL-100-NW-G1-AR-4-8-BZ			Type 4	12,192	
AL-150-NW-G1-AR-3-8-BZ	150W	4000K	Type 3	18,585	250-400W PSMH
AL-150-NW-G1-AR-4-8-BZ			Type 4	18,324	
AL-150-NW-G1-AR-5-8-BZ			Type 5	19,018	
AL-200-NW-G1-AR-3-8-BZ	200W	4000K	Type 3	24,382	400W PSMH
AL-200-NW-G1-AR-4-8-BZ			Type 4	24,109	
AL-200-NW-G1-AR-5-8-BZ			Type 5	26,010	
AL-200-NW-G1-AR-3-8-IMRI-BZ			Type 3	24,382	
AL-200-NW-G1-AR-4-8-IMRI-BZ			Type 4	24,109	

1. Based on comparison between 250W PSMH (at 295W) and AL-150-NW-G1 at 147W.
2. Predicted performance derived from LED manufacturer's data and engineering design estimates, based on IESNA LM-80 methodology.

Dimensions



Slim flood

Illuminate with discreet & modern style

The best value for discreet and modern design on your floodlighting projects.



Why choose Slim flood?

- Complete family of LED floodlights ideal for illuminating signs, building facades or other dark areas
- Can be mounted on the ground, wall, or pole-mounted
- All sizes arrive fully assembled and ready to install
- Fade-resistant, textured bronze finish with tempered glass lens that is heat and impact resistant
- IP65s rated, 5 year limited warranty



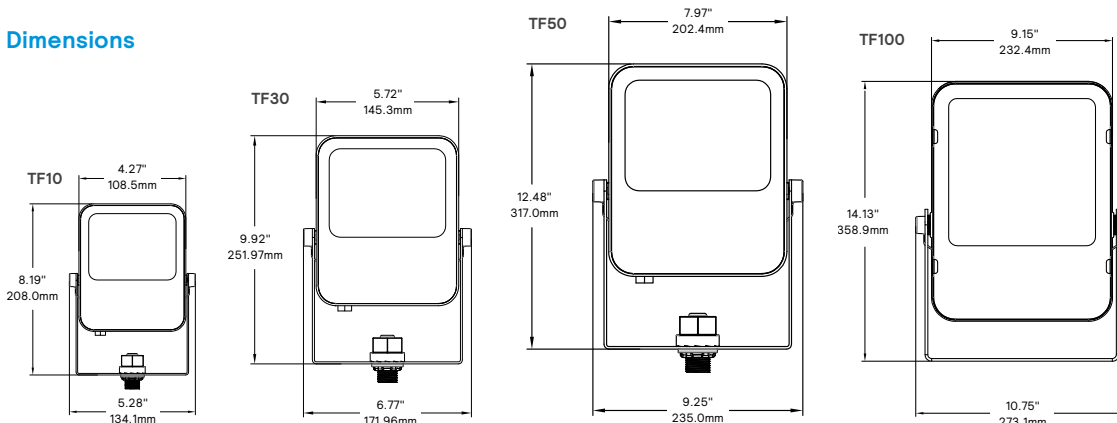
Luminaire with Knuckle mount, 1/2" NPS male & Yoke mount

Catalog Code	Lumens	Wattage	CCT	Replaces
TF10-NW-G1-K-FL-8-BZ	1,000	10W	4000K	50W HID
TF10-WW-G1-K-FL-8-BZ	1,000	10W	3000K	50W HID
TF10-CW-G1-K-FL-8-BZ	1,000	10W	5000K	50W HID
TF30-NW-G1-K-FL-8-BZ	3,000	30W	4000K	100W HID
TF30-WW-G1-K-FL-8-BZ	3,000	30W	3000K	100W HID
TF30-CW-G1-K-FL-8-BZ	3,000	30W	5000K	100W HID
TF50-NW-G1-K-FL-8-BZ	5,000	50W	4000K	150W HID
TF50-WW-G1-K-FL-8-BZ	5,000	50W	3000K	150W HID
TF50-CW-G1-K-FL-8-BZ	5,000	50W	5000K	150W HID

Luminaire with Yoke mount only

Catalog Code	Lumens	Wattage	CCT	Replaces
TF100-NW-G1-Y-FL-8-BZ	10,000	100W	4000K	250W HID
TF100-CW-G1-Y-FL-8-BZ	10,000	100W	5000K	250W HID
TF10-CW-G1-K-FL-8-BZ	15,000	150W	4000K	400W HID
TF150-NW-G1-Y-FL-8-BZ	15,000	150W	5000K	400W HID
TF200-NW-G1-Y-FL-8-BZ	20,000	200W	4000K	400W HID
TF200-CW-G1-Y-FL-8-BZ	20,000	200W	5000K	400W HID

Dimensions



TF150
 Top Width: 11.41" (289.8mm)
 Height: 16.93" (430.0mm)
 Btm Width: 13.19" (335.0mm)

TF200
 Top Width: 13.09" (332.5mm)
 Height: 19.33" (491.0mm)
 Btm Width: 14.88" (378.0mm)



General purpose floods

Versatile & stylish for a wide range of applications

Offer energy saving LED technology for long life and reduced maintenance.



Why choose General purpose floods?

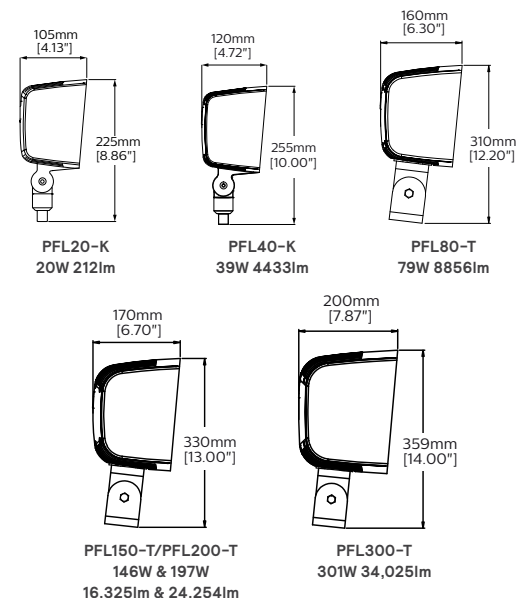
- Complete family of LED floodlights ideal for illuminating signs, building facades or other dark areas
- Can be mounted on the ground, wall, or pole-mounted
- All sizes arrive fully assembled and ready to install
- Fade-resistant, textured bronze finish with tempered glass lens that is heat and impact resistant
- IP66 rated, 5 year limited warranty

Luminaire

Catalog Code	Lumens	Wattage	CCT	Mounting	Replaces
FL20-NW-G1-PCB-K-FL-8-BZ	2,122	20W	4000K	Knuckle Mount 1/2" NPS male	70W PSMH
FL20-NW-G1-K-FL-8-BZ*		20W	4000K		
FL40-NW-G1-PCB-K-FL-8-BZ	4,433	39W	4000K	Knuckle Mount 1/2" NPS male	150W PSMH
FL40-NW-G1-K-FL-8-BZ*		39W	4000K		
FL80-NW-G1-PCB-T-FL-8-BZ	8,856	79W	4000K	Trunnion	250W PSMH
FL80-NW-G1-T-FL-8-BZ*		79W	4000K		
FL80-NW-G1-S-FL-8-BZ	8,856	79W	4000K	Slip Fitter	250W PSMH
FL150-NW-G1-PCB-T-FL-8-BZ	16,325	146W	4000K	Trunnion	400W PSMH
FL150-NW-G1-T-FL-8-BZ*		146W	4000K		
FL150-NW-G1-S-FL-8-BZ	16,325	146W	4000K	Slip Fitter	400W PSMH
FL200-NW-G1-T-FL-8-BZ	24,254	197W	4000K	Trunnion	400W PSMH
FL200-NW-G1-S-FL-8-BZ	24,254	197W	4000K	Slip Fitter	400W PSMH
FL300-NW-G1-T-FL-8-BZ	34,025	301W	4000K	Trunnion	750W PSMH
FL300-NW-G1-S-FL-8-BZ	34,025	301W	4000K	Slip Fitter	750W PSMH

* Also available with button photocell (PCB) option.

Dimensions



Dusk to Dawn

**Brighten spaces evenly,
without glare**

A great performing LED light for general purpose areas that fits your budget.



Why choose Dusk to Dawn?

- Excellent choice for general areas, where lighting can enhance security
- Provides up to 70% energy savings over HID*
- Refracted lens design spreads light evenly and significantly reduces glare
- Direct mount or arm mount.
- Sturdy, fade and abrasion resistant, built of a one-piece die-cast aluminum housing



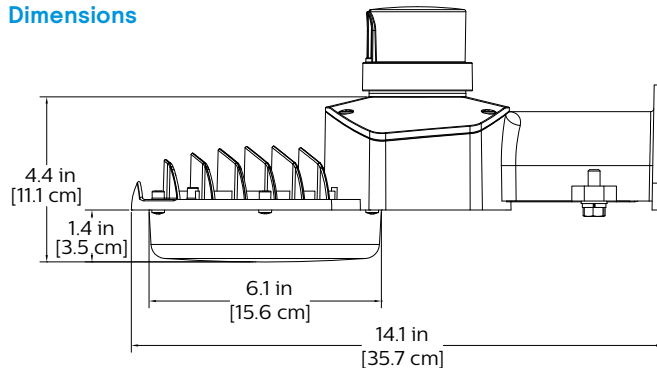
Luminaire

Catalog Code	Lumens	Wattage	CCT	Voltage	Replaces
DTD40N WG3AR5TLRPC1GY3S	4,973	40W	4000K	120V	100W MH

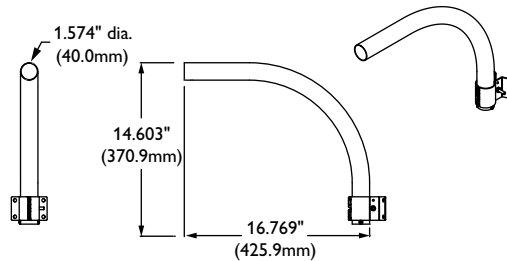
Accessories (order separately)

DTDARMGY3S – Mounting arm with hardware

Dimensions



Approximate luminaire weight (less arm) – 3.7lbs (1.7kg)



DTDLED rated 39 input watts is 70% less versus metal halide systems rated 129 input watts.



Garage & Canopy

Compact & efficient, **built to last**

Slim and durable with a light-weight design, this luminaire provides you with a visually appealing lighting experience.



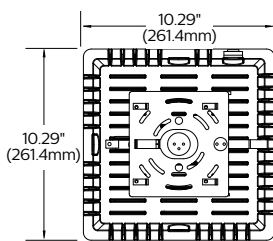
Why choose Garage & Canopy?

- Complete family of LED floodlights ideal for illuminating signs, building facades or other dark areas
- Can be mounted on the ground, wall, or pole-mounted
- All sizes arrive fully assembled and ready to install
- Fade-resistant, textured bronze finish with tempered glass lens that is heat and impact resistant
- IP66 rated, 5 year limited warranty

Luminaire

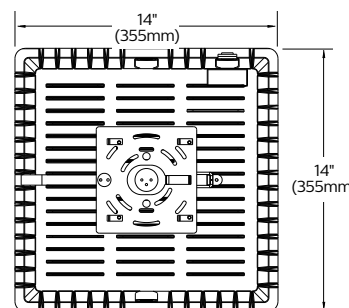
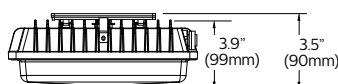
Catalog Code	Lumens	Wattage	CCT	Distribution	Replaces
GC20-NW-G1-SM-5-8-BZ	2,013	19W	4000K	Type 5	50W PSMH
GC40-NW-G1-SM-5-8-BZ	4,735	37W	4000K	Type 5	70W PSMH
GC57-NW-G1-SM-5-8-BZ	6,322	57W	4000K	Type 5	100W PSMH
GC88-NW-G1-SM-5-8-BZ	10,490	88W	4000K	Type 5	150W PSMH

Dimensions



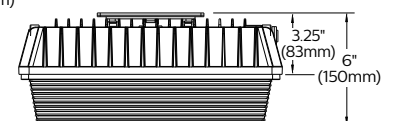
20W, 40W & 57W

Approximate Luminaire Weight
20W, 40W & 57W: 5.1 lbs (2.31 Kg)



88W

Approximate Luminaire Weight
88W: 8.2 lbs (3.72 Kg)



Roughlyte

Small but mighty

End your search for durable lighting that will really last – a mighty little light with long lasting shine.



Why choose Roughlyte?

- Wall or ceiling mounting available
- Provides 83% energy savings over 100W Incandescent*
- Heat and shock resistant glass globe with cast aluminum guard
- Long life reduces maintenance
- Provides up to 1,390 lumens
- 5 year limited warranty

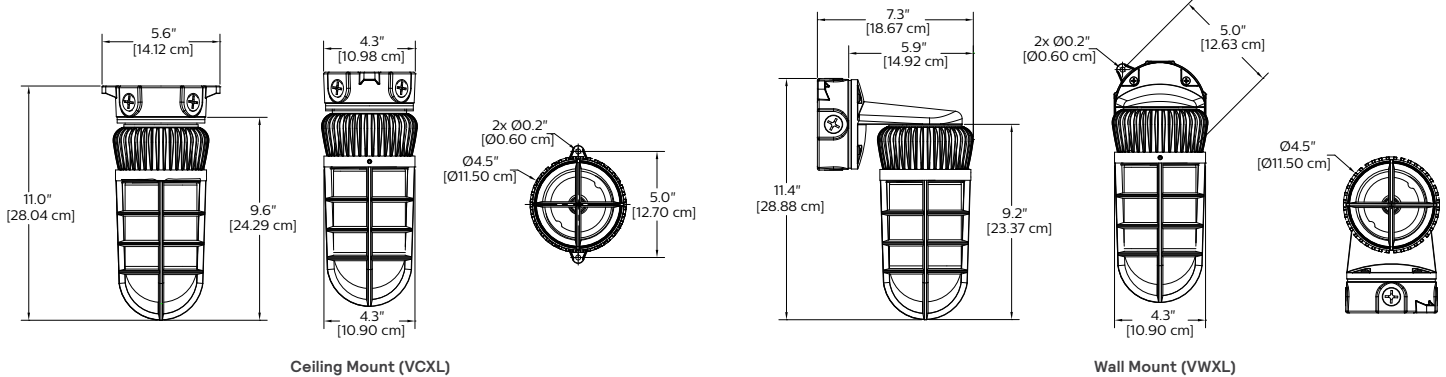
* Based on comparison between 100W INC @1710lm and VCXL14-NW-G1 @ 1390lm.



Luminaire

Catalog Code	Lumens	Wattage	CCT	Mounting	Replaces
VCXL-14-NW-G1-8	1390	14W	4000K	Ceiling	100W INC
VWXL-14-NW-G1-8				Wall	

Dimensions





Low profile wall

Sleek & slim, with energy saving illumination

Efficacies up to 110 lumens per watt with significant energy savings over HID luminaires.



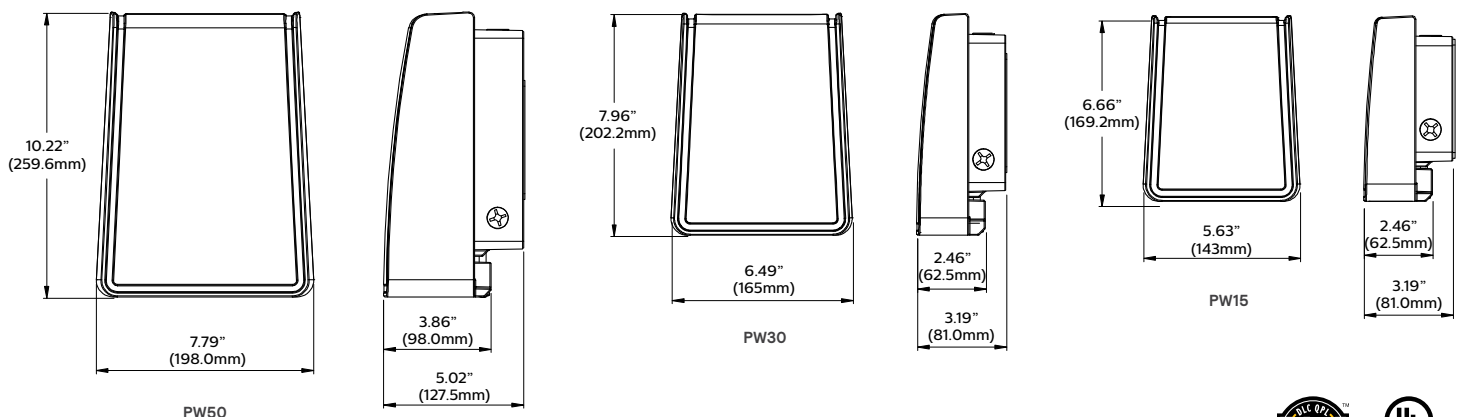
Why choose Low profile wall?

- Budget-friendly, discreet fixture for a wide variety of outdoor spaces
- Energy efficient fixture that delivers up to 110 lumens per watt
- 3 size options: 15, 30 or 50 watt
- Slim profile, just over 4 inches
- Durable construction of die-cast aluminum with a UV stabilized lens and stainless steel hardware
- 5 year limited warranty

Luminaire

Catalog Code	Lumens	Wattage	CCT	Voltage	Replaces
PW-15-NW-G1-8-BZ	1,656	15W	4000K	Universal 120/277V	50W PSMH
PW-30-NW-G1-8-BZ	3,090	30W	4000K	Universal 120/277V	70W PSMH
PW-50-NW-G1-8-BZ	5,114	50W	4000K	Universal 120/277V	100W PSMH

Dimensions



Square wall light

Compact & economical
never looked so good

The easy answer for general purpose wall mount lighting, with a simple, clean design and excellent value.



Why choose the Square wall light?

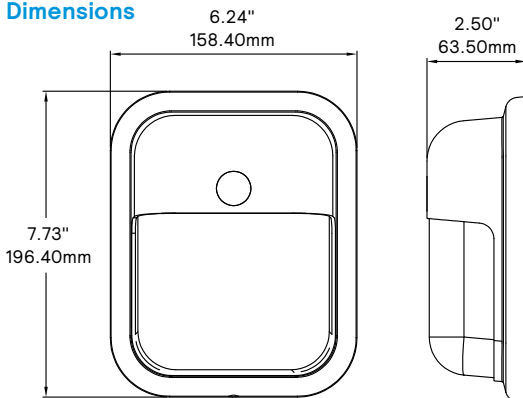
- Wall mount fixture ideal for doorways, entryways and other areas
- Cost-effective enhanced LED performance for an compromised quality for your budget
- Built-in photocell for automatic dusk to dawn lighting offers cost-savings
- Mounts to a standard 4" J-box with a galvanized mounting plate
- One-piece housing with a tough polycarbonate lens
- 5 year limited warranty



Luminaire

Catalog Code	Lumens	CCT	Options	Voltage	Replaces
SWL-WW-G2-PCB-1-BZ	1,178	3000K	Photocell	120V	50W HID

Dimensions

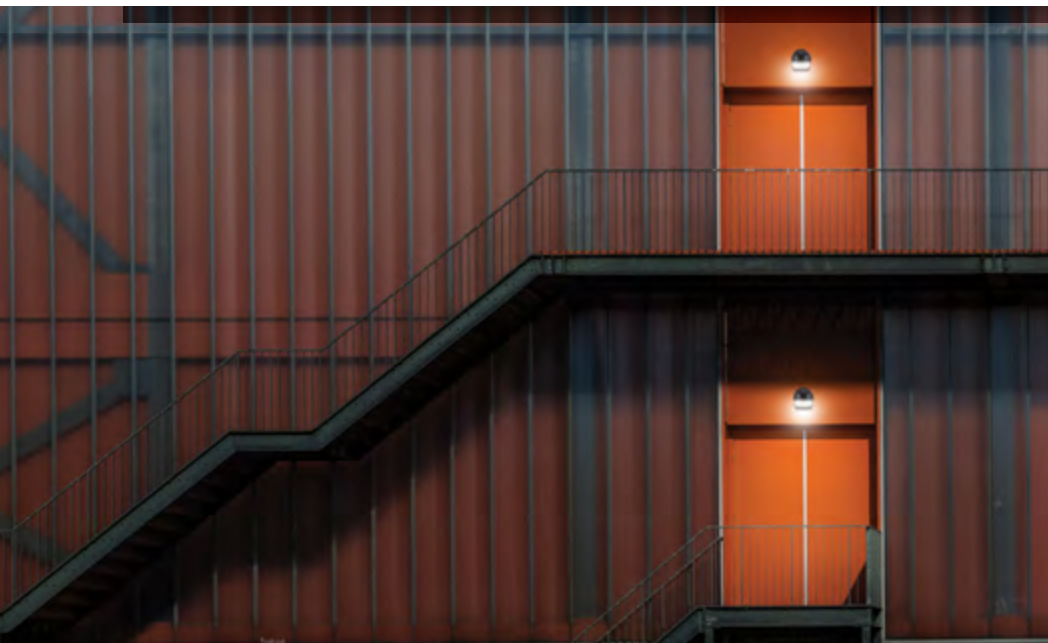




Wall light

Get tough & efficient
within your budget

An economical solution for general purpose lighting in an attractive compact form.



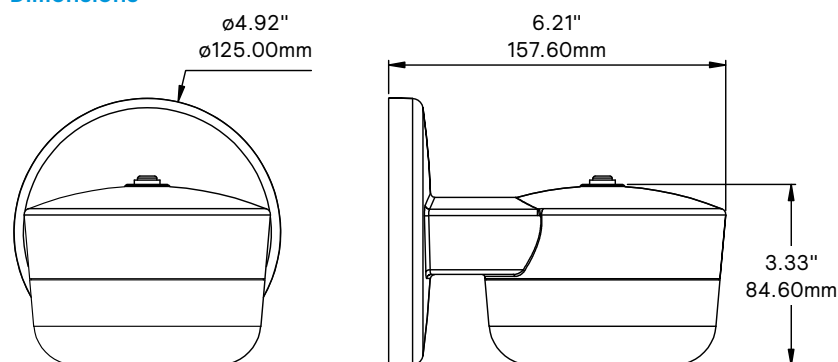
Why choose the Wall light?

- Wall mount fixture ideal for doorways, entryways and other areas
- Cost-effective enhanced LED performance for an compromised quality for your budget
- Built-in photocell for automatic dusk to dawn lighting offers cost-savings
- Mounts to a standard 4" J-box with a galvanized mounting plate
- One-piece housing with a tough polycarbonate lens
- • 5 year limited warranty

Luminaire

Catalog Code	Lumens	CCT	Options	Voltage	Replaces
LWL-WW-G2-PCB-1-BZ	1,104	3000K	Photocell	120V	50W HID

Dimensions



Tall wall pack

Tall, brilliant & full of life...

An easy choice for almost any outdoor lighting location with durable illumination that was built to last.



Why choose the Tall wall pack?

- Lightweight, compact and built to last
- Provides up to 83% energy savings over 70W Metal Halide luminaires*
- The bronze housing is die cast aluminum and impact resistant polycarbonate, with a frosted lens
- Installation is quick and easy, by mounting to a standard 3½ or 4" junction box
- Rated for temperatures from -40°C to 40°C

* Based on comparison between TW20 @ 20W and 70W Metal halide.

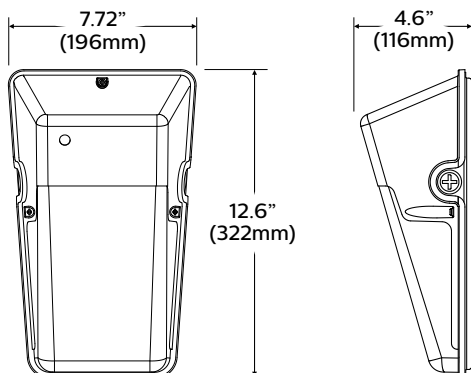


Luminaire

Catalog Code	Lumens	Wattage	CCT	Voltage	Replaces
TW-20-NW-G1-8-BZ	1,674	20W	4000K	Universal 120/277V	100W INC
TW-20-NW-G1-PCB-1-BZ*	1,674	20W	4000K	120V	100W INC

* With Photocell

Dimensions





Wall pack

Move into the future
with a time-proven design

Upgrade from costly HID fixtures with confidence with efficacies of up to 118 LPW,

Why choose the Wall pack?

- An easy switch from costly HID fixtures
- Flexible options – choose from 30, 50 and 75 watts in two different sizes
- The 50 watt Wall Pack provides the equivalent illumination to 100W HID, and uses over 50% less energy*
- Glass refractor lens design cuts down on glare
- One-piece die-cast aluminum housing
- 5 year limited warranty

* Based on comparison between 100W HPS Wall pack at 115W providing 6100 lumens and 50W WP LED providing 5500 lumens.

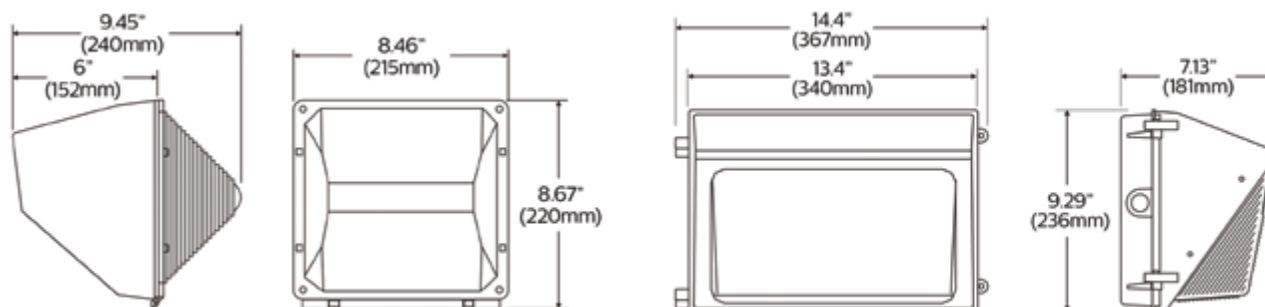


Luminaire

Catalog Code	Lumens	Wattage	CCT	Voltage	Replaces
WP-50-NW-G1--8-BZ	3,355	30W	4000K	Universal 120/277V	70W PSMH
WP-75-NW-G1--8-BZ	5,541	50W	4000K	Universal 120/277V	100W PSMH
WP-30-NW-G1-PCB-8-BZ*	8,999	75W	4000K	Universal 120/277V	150-250W PSMH
WP-50-NW-G1-PCB-8-BZ*	3,355	30W	4000K	Universal 120/277V	70W PSMH
WP-75-NW-G1-PCB-8-BZ*	5,541	50W	4000K	Universal 120/277V	100W PSMH
WP-75-NW-G1-PCB-8-BZ*	8,999	75W	4000K	Universal 120/277V	150-250W PSMH

* With Photocell

Dimensions



PW50

PWP50 & PWP75



LytePro wall sconce

Designed for projects,
built for stock

A powerful and precise combination with outstanding energy savings and excellent photometric performance.



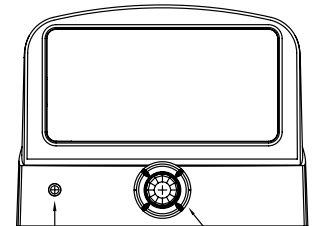
Why choose the LytePro wall sconce?

- Low-profile design to complement and blend in with surroundings
- Provides energy saving replacement for INC, CFL and HID sources up to 320W
- Optical distributions offer full cutoff performance and an excellent uniformity for precise wall and area illumination
- Easily mounts to a variety of J-box types or fastens directly to wall for seamless retrofitting
- Outstanding value in a compact, architectural design with a long life providing maintenance savings



Luminaire

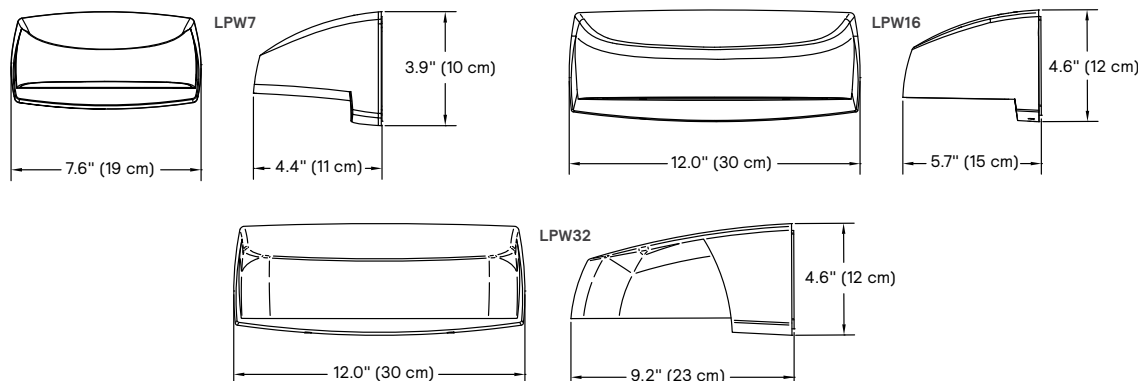
Catalog Code	Lumens	Wattage	CCT	Voltage	Distribution	Replaces
LPW7-G3-8-DGY	1,050	10W	4000K	Universal 120/277V	Type 2	Dark Grey
LPW7-G3-8-BZ	1,050	10W	4000K	Universal 120/277V	Type 2	Bronze
LPW16-G3-8-DGY	3,500	30W	4000K	Universal 120/277V	Type 3	Dark Grey
LPW16-G3-8-BZ	3,500	30W	4000K	Universal 120/277V	Type 3	Bronze
LPW32-G3-8-DGY	7,400	70W	4000K	Universal 120/277V	Type 3	Dark Grey
LPW32-G3-8-BZ	7,400	70W	4000K	Universal 120/277V	Type 3	Bronze



Location of test switch when ordered with EBP

Location of motion sensor lens when ordered with BL-IMRI3

Dimensions



Stonco

by  Signify



Commercial bollard

The path ahead
looks **clear & bright**

A strong statement in high traffic outdoor
areas, while adding a sense of security.



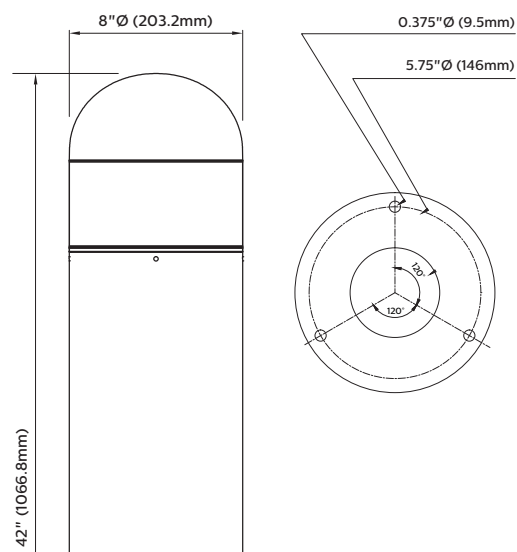
Why choose the Commercial bollard?

- Clean lines for a timeless, modern look
- Rugged, aluminum construction and high quality finish
- Simple installation
- Ready-to-ship, in-stock product
- Silicone gaskets protect internals from harsh elements
- 50,000 hour rated life (L70)

Luminaire

Catalog Code	Lumens	Wattage	CCT	Voltage	Replaces
BL25-NW-G1-5-8-BZ	2,508	26W	3000K	Universal 120/277V	70W MH

Dimensions



FlexScape

A clever way to refine your outdoor design

Easy installation and powerful performance make the Commercial accent a smart choice for highlighting outdoor elements.



Why choose FlexScape?

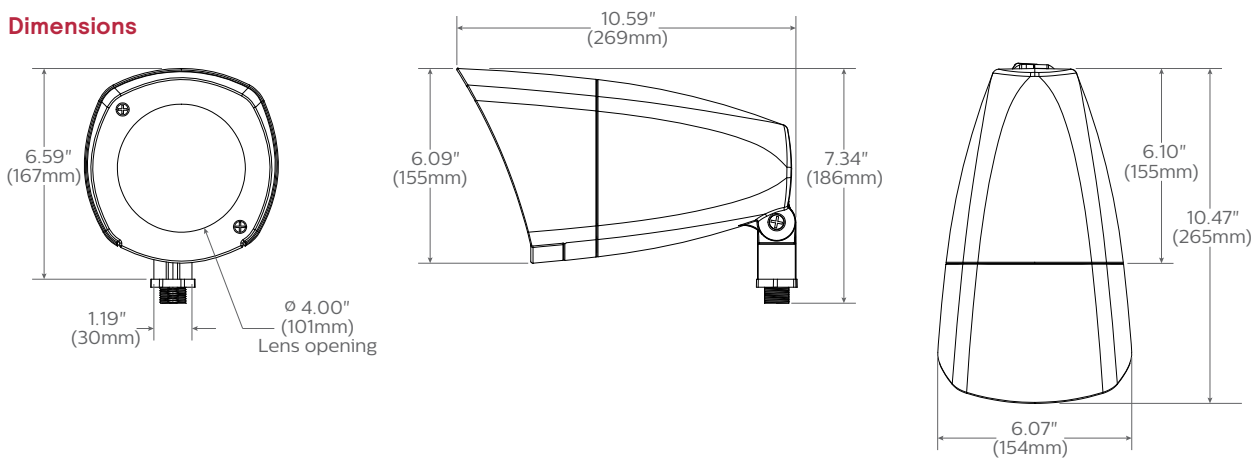
- One all-encompassing landscape lighting solution is all you need
- Narrow, medium and wide flood beam patterns, interchangeable via snap-on lenses
- Standard 0-10V dimming
- Five field adjustable lumen outputs
- 5 year limited warranty



Luminaire

Catalog Code	Lumen range	Wattage	CCT	Replaces
B9DW-H	932-995	3000K	3000K	35W MH
B9DW-H	1337-1427	3000K	3000K	50W MH
B9DW-H	1903-2031	3000K	3000K	70W MH
B9DW-H	2621-2797	3000K	3000K	70W MH
B9DW-H	3065-3271	3000K	3000K	70W MH

Dimensions





EvoKit Click

Transform a space with performance and value

The cost effective solution for low price, reduced project scrap and simple 5-minute installation in renovation projects.



Why choose EvoKit Click LED retrofit kits?

- Sleek and modern look for a refreshed space
- Integrated light engine enables easy maintenance and future upgradeability from below ceiling without tools
- High efficacy/low wattage for maximum rebates and energy savings
- Fits most 2x4, 2x2 troffers (grid/narrow grid)
- Control options for maximum flexibility

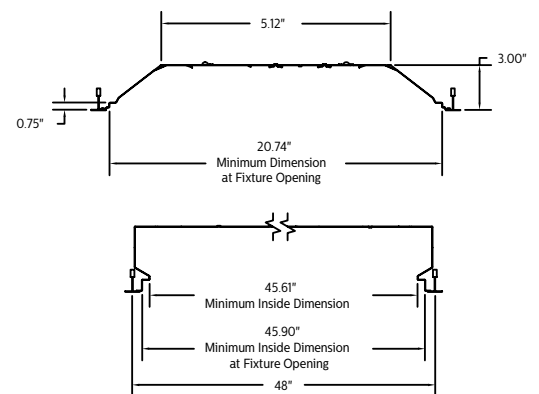
2x2' Retrofit kit

Product Number	Model Number	Lumens	Wattage	CRI/CCT	Dimming
521121	929001734313	3,200	29W	80CRI / 3500K	UNV 0-10 P1
520221	929001734413	3,200	29W	80CRI / 4000K	UNV 0-10 P1
521377	929001737313	3,200	24W	80CRI / 3500K	UNV 0-10 P1
520247	929001737713	3,200	24W	80CRI / 4000K	UNV 0-10 P1
523464	929001776313	3,200	24W	80CRI / 3500K	UNV SWZ P1
523472	929001776413	3,200	24W	80CRI / 4000K	UNV SWZ P1

2x4' Retrofit kit

Product Number	Model Number	Lumens	Wattage	CRI/CCT	Dimming
521187	929001733913	4,200	38W	80CRI / 3500K	UNV 0-10 P1
520213	929001734013	4,200	38W	80CRI / 4000K	UNV 0-10 P1
520288	929001739713	4,200	30W	80CRI / 3500K	UNV 0-10 P1
520296	929001740113	4,200	30W	80CRI / 4000K	UNV 0-10 P1
523498	929001776613	4,200	29W	80CRI / 3500K	UNV SWZ P1
523506	929001776713	4,200	29W	80CRI / 4000K	UNV SWZ P1

Dimensions



Face Plate

Length	Width	Height
47.83"	23.9"	2.99"



interact
ready.

InstantFit lamps

This is real compatibility

InstantFit has been proven to work with over 350 ballasts and drivers delivering even light output, proven energy savings and a long average lifetime.



Why choose CorePro InstantFit lamps?

- Works with more ballasts and drivers than any other lamp so it's going to perform as expected and prevent rework
- Shatter-resistant lamps prevent breakage, not just contain the shattered glass
- Proven over 40% energy savings¹ over fluorescent for continual payback over the life of the product
- Average life rating of 50,000 hours² with lifetimes up to 70,000 hours²
- No mercury allowing for non-hazardous waste disposal



Lamps

Product Number	Model Number	Ordering Code	Watts (W)	Base	CRI (min)	CCT (K)	Lumens (lms)	UL type	DLC ID ³ (Type A)	Case Qty	Pallet Qty
CorePro InstantFit Glass T8 4FT 10W											
553230	929001991734	10T8/COR/48-840/IF16/G 10/1	10	G13	80	4000	1700	A, C	PJX910Z	10	600
CorePro InstantFit Glass T8 4FT 14W											
470112	929001343234	14T8/PRO/48-840/IF21/G 10/1 FB	14	G13	82	4000	2100	A, C	PQJR24AE	10	650
470120	929001343334	14T8/PRO/48-850/IF21/G 10/1 FB	14	G13	82	5000	2100	A, C	P8JMV6DL	10	650

1. Savings based on comparison to F32T8 electronic instant start systems.
2. Tested to B50 L70 requirement. LED lifetime means the length of time (in hours) until half of the LED light sources maintain at least 70% of their initial lumen output (B50, L70).
3. Lamp may also be DLC certified as a Type C system. Search DLC by model number QPL for more information.





MainsFit lamps

Installation **simplified**

Use a double-ended design which significantly simplifies installation, saving time and costs over single-ended versions.



Why choose CorePro MainsFit lamps?

- Patented design prevents shock with surge protection while enabling >200 lamps on a single 20A circuit
- Double-ended for faster installs
- Proven over 40% energy savings¹ over fluorescent systems
- Average life rating up to 70,000 hours²
- UL Type B ballast bypass
- Emergency capable with Bodine ELI-S-20 or ELI-S-100 EM drivers
- No mercury allowing for non-hazardous waste disposal

Lamps

Product Number	Model Number	Ordering Code	Watts (W)	Base	CRI (min)	CCT (K)	Lumens (lms)	UL type	DLC ID ³ (Type A)	Case Qty	Pallet Qty
CorePro MainsFit Glass T8 4FT 14W @ 120-277V											
477331	9290018456A	14T8/COR/48-840/MF18/G 10/1	14	G13	80	4000	1800	B	P2OJ2JLX	10	550
477349	9290018457A	14T8/COR/48-850/MF18/G 10/1	14	G13	80	5000	1800	B	PZF69ARG	10	550
CorePro MainsFit Glass T8 UBEND 2FT 15.5W @ 120-277V											
535559	9290019348	15.5T8-6U PRO/24-840/BB21/G 10/1 FB	15.5	G13	82	4000	2100	B	PUAR19X3	10	250
CorePro MainsFit Glass T8 2FT 8.5W @ 120-277V											
535476	9290019340	8.5T8PRO/24-840/BB11/G 10/1 FB	8.5	G13	82	4000	1150	B	PRGU80IY	10	900
CorePro MainsFit Glass T8 4FT 16.5W @ 120-277V											
471763	9290013633B	16.5T8/COR/48-840/MF21/G 10/1	16.5	G13	80	4000	2100	B	PIAI8464	10	550
471771	9290013634B	16.5T8/COR/48-850/MF21/G 10/1	16.5	G13	80	5000	2100	B	P3PZ1XIH	10	550
CorePro MainsFit Glass T5 HO 4FT 25W @ 120-277V											
542068	9290019926	25T5HO/COR/46-840/MF35/G 25/1	25	G5	82	4000	3500	B	PBQ7UFSX	25	1200
542076	9290019927	25T5HO/COR/46-850/MF35/G 25/1	25	G5	82	5000	3500	B	PHK6IM4L	25	1200

1. Savings based on comparison to F32T8 electronic instant start systems.
2. Tested to B50 L70 requirement. LED lifetime means the length of time (in hours) until half of the LED light sources maintain at least 70% of their initial lumen output (B50, L70).
3. Lamp may also be DLC certified as a Type C system.
Search DLC by model number QPL for more information.



PLED lamps

Easily upgrade fixtures with **lower costs**

These pinned-based retrofit LED lamps deliver incredible energy savings with an over 50,000 hour lifetime and less maintenance and servicing than others.



Why choose CorePro PLED lamps?

- Featuring Instant-on and simple lamp-for-lamp replacement
- Shatter-resistant lamps prevent breakage, not just contain the shattered glass
- Energy savings of up to 60%¹
- Average life rating of 50,000 hours²
- Minimal color shift and stable flux output throughout lifetime
- No mercury allowing for non-hazardous waste disposal
- No harmful UV radiation



Lamps

Product Number	Model Number	Ordering Code	Watts (W)	Base	CRI (min)	CCT (K)	Lumens (lms)	UL type	DLC ID ² (Type A)	Case Qty	Pallet Qty
CorePro 2-pin Plastic PL-S											
529578	9290018630	5PL-S/LED/13H/835/IF5/P/2P 20/1	5	GX23	82	3500	580	A	No Category	20	7920
529586	9290018631	5PL-S/LED/13H/840/IF5/P/2P 20/1	5	GX23	82	4000	580	A	No Category	20	7920
CorePro 4-pin Plastic PL-C/T											
458380	9290013882	8.5PL-C/T LED/26H-3500 IF 4P 10/1	8.5	G24q	82	3500	900	A	P1956NU5	10	4140
458398	9290013883	8.5PL-C/T LED/26H-4000 IF 4P 10/1	8.5	G24q	82	4000	950	A	PUK7J4AA	10	4140
458422	9290011813	10.5PL-C/T LED/26V-3500 IF 4P 10/1	10.5	G24q	82	3500	1200	A	PZ1KKRNR	10	2960
458430	9290011814	10.5PL-C/T LED/26V-4000 IF 4P 10/1	10.5	G24q	82	4000	1300	A	PV2HQQZW	10	2960
476085	9290018199	12PLC/T LED/32H/835/IF/4P/DIM 1PK 10/1	12	G24/Gx24	82	3500	1400	A	PZHF15J0	10	4140
476093	9290018200	12PLC/T LED/32H/840/IF/4P/DIM 1PK 10/1	12	G24/Gx24	82	4000	1450	A	PT5IC4ON	10	4140
476135	9290018204	12PLC/T LED/32V/840/IF/4P/DIM 1PK 10/1	12	G24/Gx24	82	4000	1500	A	PFKH6AQA	10	4140

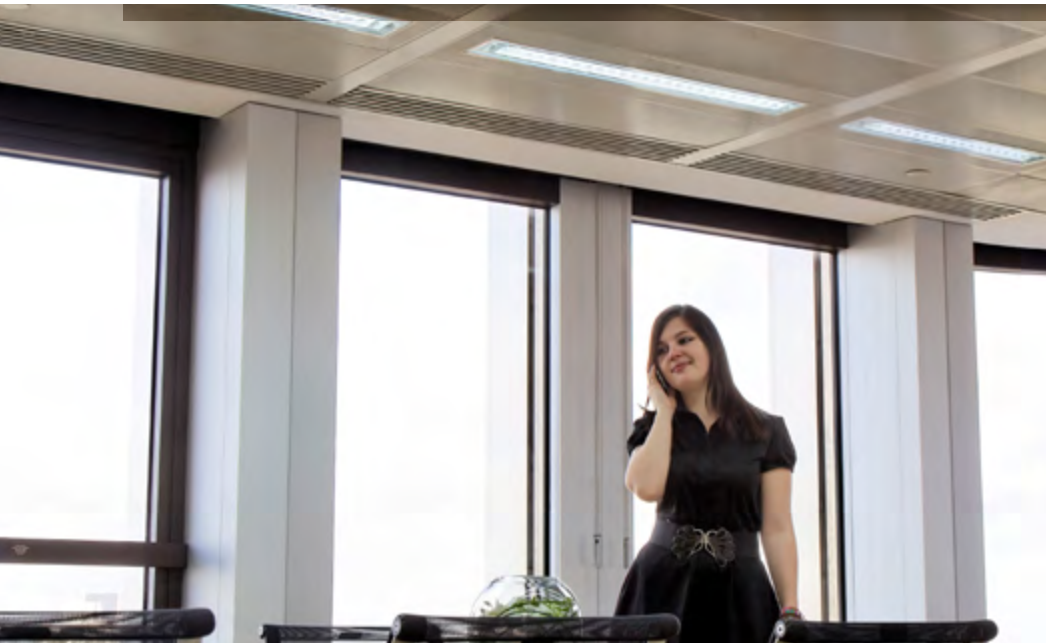
1. Savings based on comparison to F32T8 electronic instant start systems.
2. Tested to B50 L70 requirement. LED lifetime means the length of time (in hours) until half of the LED light sources maintain at least 70% of their initial lumen output (B50, L70).
3. Lamp may also be DLC certified as a Type C system.
Search DLC by model number QPL for more information.



UniversalFit lamps

Installation **simplified**

Engineered to deliver the same energy savings, lifetime and performance as our popular InstantFit LED T8 lamps.



Why choose UniversalFit lamps?

- Simple plug-and-play installation with no need to change a ballast
- UL Type A T8 lamps works on both magnetic and electronic ballasts
- Energy savings of up to 60%¹
- Average life rating of 36,000 hours²
- Minimal color shift and stable flux output throughout lifetime
- No mercury allowing for non-hazardous waste disposal
- No harmful UV radiation

Lamps

Product Number	Model Number	Ordering Code	Watts (W)	Base	CRI (min)	CCT (K)	Lumens (lms)	UL type	DLC ID ² (Type A)	Case Qty	Pallet Qty
CorePro UniversalFit Glass T8 4FT (EM + HF Ballast Compatible)											
539972	9290019659	16T8/LED/48-840/UF18/G 10/1	16	G13	82	4000	1800	A	Not DLC	10	650
539980	9290019660	16T8/LED/48-850/UF18/G 10/1	16	G13	82	5000	1800	A	Not DLC	10	650

1. Savings based on comparison to F32T8 electronic instant start systems.
2. Tested to B50 L70 requirement. LED lifetime means the length of time (in hours) until half of the LED light sources maintain at least 70% of their initial lumen output (B50, L70).
3. Lamp may also be DLC certified as a Type C system.
Search DLC by model number QPL for more information.

PAR lamps

Perfect fit with halogen-like light

Thanks to a single optic beam, these LED lamps provide a clean beam that's free from shadows with beam angles from 15° and 40° to suit every general lighting application.



Why choose CorePro PAR lamps?

- Average life rating of 25,000 hours¹
- No mercury allowing for non-hazardous waste disposal
- Emit virtually no UV/IR light in the beam
- 3-year limited warranty²



Lamps

Product Number	Model Number	Ordering Code	Watts (W)	Base	CRI (min)	CCT (K)	Lumens (lms)	MBCP	Beam Angle	Energy Cost	Case Qty	Pallet Qty
CorePro Glass PAR20 @ 120V												
471110	929001316504	7PAR20/LED/F25/830/E26/GL/DIM 120V 6/1	7	E26	80	3000	500	1500	25°	\$0.84	6	2244
471102	929001317204	7PAR20/LED/827-822/F25/GL/DIM 1PK 6/1	7	E26	80	2700 WG	500	1500	25°	\$0.84	6	2244
CorePro Glass PAR30L @ 120V												
529735	929001322004	10PAR30L/LED/827/F40/DIM/ULW/120V 6/1FB	10	E26	80	2700	800	1600	40°	\$1.20	6	768
529743	929001322104	10PAR30L/LED/830/F40/DIM/ULW/120V 6/1FB	10	E26	80	3000	850	1600	40°	\$1.20	6	768
CorePro Glass PAR30S @ 120V												
529768	929001320404	10PAR30S/LED/827/F25/DIM/ULW/120V 6/1FB	10	E26	80	2700	800	3300	25°	\$1.20	6	1056
529776	929001320504	10PAR30S/LED/830/F25/DIM/ULW/120V 6/1FB	10	E26	80	3000	850	3300	25°	\$1.20	6	1056
529800	929001321004	10PAR30S/LED/830/F40/DIM/ULW/120V 6/1FB	10	E26	80	3000	850	1600	40°	\$1.20	6	1056
CorePro Glass PAR38 @ 120V												
529628	929001319404	12PAR38/LED/827/F25/DIM/ULW/120V 6/1FB	12	E26	80	25,000	25	4100	25°	\$1.45	6	384
529669	929001319904	12PAR38/LED/827/F40/DIM/ULW/120V 6/1FB	12	E26	80	25,000	40	1800	40°	\$1.45	6	384
529677	929001320004	12PAR38/LED/830/F40/DIM/ULW/120V 6/1FB	12	E26	80	25,000	40	1900	40°	\$1.45	6	384
529529	929001318404	14PAR38/LED/830/F25/DIM/ULW/120V 6/1FB	14	E26	80	25,000	25	6000	25°	\$1.69	6	384
529594	929001318904	14PAR38/LED/830/F40/DIM/ULW/120V 6/1FB	14	E26	80	25,000	40	2500	40°	\$1.69	6	384
529610	929001319204	14PAR38/LED/830/F40/DIM/ULW/120V 6/1FB	14	E26	80	25,000	1200	2500	40°	\$1.69	6	384

1. Tested to B50 L70 requirement. LED lifetime means the length of time (in hours) until half of the LED light sources maintain at least 70% of their initial lumen output (B50, L70).

2. See www.signify.com/warranties for details.

MR16 lamps



Perfect fit for spot lighting

A single optic technology providing the look and color quality of traditional halogens while using a fraction of the energy; compatible with most existing fixtures using MR16 GU5.3 holders.



Why choose CorePro MR16 lamps?

- Compatible with most commonly available halogen transformers
- Optimized look and feel of product
- Average life rating of 25,000 hours¹
- No mercury allowing for non-hazardous waste disposal
- Emit virtually no UV/IR light in the beam
- 3-year limited warranty²

Lamps

Product Number	Model Number	Ordering Code	Watts (W)	Base	CRI (min)	CCT (K)	Lumens (lms)	MBCP	Beam Angle	Energy Cost	Case Qty	Pallet Qty
CorePro Single Optic MR16 @ 120V												
533141	929001881004	7.3MR16/LED/827/F35/DIM 12V 10/1FB	7.3	GU5.3	82	2700	515	1350	40°	\$1.47	10	8160
533125	929001880804	7.3MR16/LED/830/F25/DIM 12V 10/1FB	7.3	GU5.3	82	3000	515	2500	10°	\$1.47	10	8160
533158	929001881104	7.3MR16/LED/830/F35/DIM 12V 10/1FB	7.3	GU5.3	82	3000	515	1350	25°	\$1.47	10	8160

1. Tested to B50 L70 requirement. LED lifetime means the length of time (in hours) until half of the LED light sources maintain at least 70% of their initial lumen output (B50, L70).

2. See www.signify.com/warranties for details.

A-shape bulbs

The affordable LED bulb solution

Compatible with existing fixtures and are designed for retrofit replacement of incandescent bulbs. They deliver energy savings and minimize maintenance cost.



Why choose A-shape bulbs?

- Superior light quality with high performance dimming
- Average life rating of 15,000 hours¹
- No mercury allowing for non-hazardous waste disposal
- Suitable for enclosed fixtures
- Title 20 qualified for California applications
- 3-year limited warranty²



Bulbs

Product Number	Model Number	Ordering Code	Watts (W)	Base	CRI (min)	CCT (K)	Lumens (lms)	Finish
A19 Plastic lamp - 40W equivalent - non-dimming @ 120V								
554519	929002227103	5A19/LED/950/P/E26/ND 4/4FB T20	5	E26	90	5000	450	Plastic
A19 Plastic lamp - 40W equivalent - dimming @ 120V								
550400	929002035704	5A19/PER/927/P/E26/DIM 6/1FB T20	5	E26	90	2700	450	Frosted
550426	929002036004	5A19/PER/950/P/E26/DIM 6/1FB T20	5	E26	90	5000	450	Plastic
A19 Plastic lamp - 60W equivalent - non-dimming @ 120V								
466581	929001261504	8A19/LED/827/ND D2D 120V 6/1	8	E26	90	2700	800	Plastic
A19 Plastic lamp - 60W equivalent - dimming @ 120V								
550434	929002036104	8.8A19/PER/927/P/E26/DIM 6/1FB T20	10	E26	90	2700	800	Frosted
550459	929002036304	8.8A19/PER/950/P/E26/DIM 6/1FB T20	8.8	E26	90	5000	800	Plastic
A21 Plastic lamp - 75W equivalent - dimming @ 120V								
550475	929002036404	12.2A21/PER/927/P/E26/DIM 6/1FB T20	10	E26	90	2700	1100	Frosted
A21 Plastic lamp - 100W equivalent - dimming @ 120V								
550509	929002036804	16A21/PER/927/P/E26/DIM 6/1FB T20	12	E26	90	2700	1600	Frosted
550525	929002037104	16A21/PER/950/P/E26/DIM 6/1FB T20	16	E26	90	5000	1500	Plastic
A19 / A21 - 100W equivalent lamps - non-dimming @ 120V								
548248	929001958204	12.5A19/LED/850/FR/P/ND 4/2FB	12.5	E26	80	5000	1500	Plastic
554485	929002227704	16.6A21/LED/950/P/E26/ND 6/1FB T20	16.6	E26	90	5000	1500	Plastic

1. Tested to B50 L70 requirement. LED lifetime means the length of time (in hours) until half of the LED light sources maintain at least 70% of their initial lumen output (B50, L70).
 2. See www.signify.com/warranties for details.





Reflector bulbs

The affordable recessed solution

Unique design replicates traditional form factors while providing excellent dimming. They are ideal in ambient lighting areas such as restaurants, offices and multi-unit residences.



Why choose Reflector bulbs?

- Smooth dimming down to 10%
- Select models feature incandescent emulation to offer a familiar feel
- Average life rating of 20,000 hours¹
- No mercury allowing for non-hazardous waste disposal
- Suitable for enclosed fixtures
- Title 20 qualified for California applications
- 3-year limited warranty²

Bulbs

Product Number	Model Number	Ordering Code	Watts (W)	Base	CRI (min)	CCT (K)	Lumens (lms)	Lifespan (hrs)
R20 lamp @ 120V								
553883	929002092204	5R20/PER/927/P/E26/DIM 6/1FB T20	5	E26	90	2700	450	15,000
BR30 lamp @ 120V								
553891	929002092304	7.2BR30/PER/927/P/E26/DIM 6/1FB T20	7.2	E26	90	2700	650	25,000
BR40 lamp @ 120V								
553909	929002036404	8.8BR40/PER/927/P/E26/DIM 6/1FB T20	8.8	E26	90	2700	800	15,000

1. Tested to B50 L70 requirement. LED lifetime means the length of time (in hours) until half of the LED light sources maintain at least 70% of their initial lumen output (B50, L70).
2. See www.signify.com/warranties for details.

Decorative lamps

Breathtaking brilliance, sparkling white light

With a beautiful filament aesthetic and amazing light quality these lamps create an intimate atmosphere.



Why choose Decorative lamps?

- Installs into existing candelabra and medium base fixtures
- Select models feature incandescent emulation to offer a familiar feel
- Average life rating of 15,000 hours¹
- No mercury allowing for non-hazardous waste disposal
- Title 20 qualified for California applications
- 3-year limited warranty²



Lamps

Product Number	Model Number	Ordering Code	Watts (W)	Base	CRI (min)	CCT (K)	Lumens (lms)	Finish
A15 Glass lamps - 40W equivalent - dimming @ 120V								
549378	929002208104	3.8A15/PER/927-922/CL/G/E12/WGX1FB T20	3.8	E12	90	2700-2200	350	Clear
549386	929002208304	3.8A15/PER/927-922/CL/G/E26/WGX1FB T20	3.8	E26	90	2700-2200	350	Clear
G16.5 Glass lamps - 40W equivalent - dimming @ 120V								
549287	929002205104	3.8G16.5/PER/927-922/CL/G/E12/WGX 1FBT20	3.8	E12	90	2700-2200	350	Clear
549279	929002205004	3.8G16.5/PER/927-922/CL/G/E26/WGX 1FBT20	3.8	E26	90	2700-2200	350	Clear

1. Tested to B50 L70 requirement. LED lifetime means the length of time (in hours) until half of the LED light sources maintain at least 70% of their initial lumen output (B50, L70).

2. See www.signify.com/warranties for details.

Candle lamps

Breathtaking brilliance,
sparkling white light

Incorporates a revolutionary shaped prism allowing optics to radiate brilliant, sparkling white light. The light quality provides consistent color from every angle – even when dimmed.



Why choose Candle lamps?

- Installs into existing candelabra and medium base fixtures
- Average life rating of 15,000 hours¹
- No mercury allowing for non-hazardous waste disposal
- Title 20 qualified for California applications
- 3-year limited warranty²

Lamps

Product Number	Model Number	Ordering Code	Watts (W)	Base	CRI (min)	CCT (K)	Lumens (lms)	Finish
Candles Glass lamps – 40W equivalent – dimming @ 120V								
549568	929001969404	3.3B11/PER/927-922/CL/G/E12/WGX 1FB T20	3.3	E26	90	2700-2200	300	Clear
549584	929002047204	3.3B11/PER/927-922/CL/G/E26/WGX1FB T20	3.3	E26	90	2700-2200	300	Clear
549543	929001969204	3.3BA11/PER/927-922/CL/G/E12/WGX 1FB T20	3.3	E26	90	2700-2200	300	Clear
549550	929001969304	3.3BA11/PER/927-922/CL/G/E26/WGX 1FB T20	3.3	E26	90	2700-2200	300	Clear

1. Tested to B50 L70 requirement. LED lifetime means the length of time (in hours) until half of the LED light sources maintain at least 70% of their initial lumen output (B50, L70).

2. See www.signify.com/warranties for details.

G25 globes

Designed to radiate **brilliant light**

Filament models offer a light quality that provides consistent color from any angle. Perfect for vanities, pendant and other decorative applications.



Why choose G25 globes?

- Installs into existing candelabra and medium base fixtures
- Select models feature incandescent emulation to offer a familiar feel
- Average life rating of 15,000 hours¹
- No mercury allowing for non-hazardous waste disposal
- Title 20 qualified for California applications
- 3-year limited warranty²



Lamps

Product Number	Model Number	Ordering Code	Watts (W)	Base	CRI (min)	CCT (K)	Lumens (lms)	Finish
G25 Glass lamp - 40W equivalent - dimming @ 120V								
549501	929001969704	3.8G25/PER/927-922/CL/G/E26/WGX1FB T20	3.8	E26	90	2700-2200	350	Clear

1. Tested to B50 L70 requirement. LED lifetime means the length of time (in hours) until half of the LED light sources maintain at least 70% of their initial lumen output (B50, L70).
2. See www.signify.com/warranties for details.



CorePro high bay

Save energy, retain uniqueness

A direct replacement for 400W Metal Halide high bay lighting applications that delivers high lumens at substantial energy savings.



Why choose CorePro high bay?

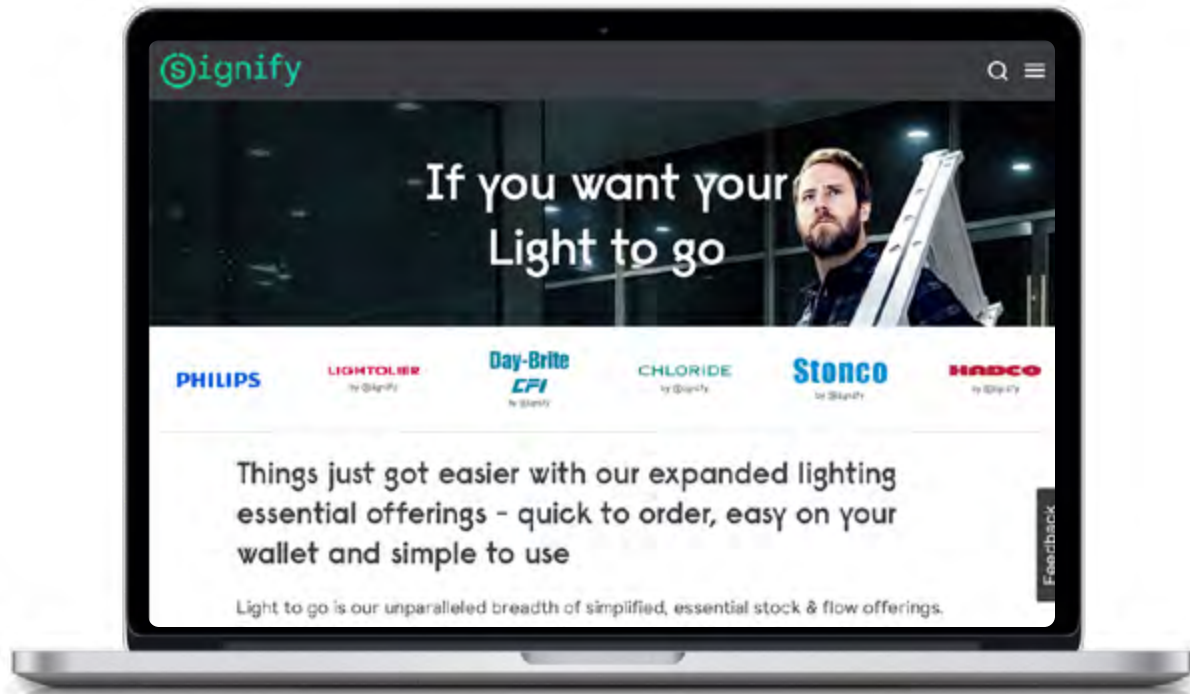
- Standard EX39 base to replace E and O rated metal halide lamps
- Works on probe and pulse start ballasts
- Over temp and 4KV surge protection
- Direct wire ballast bypass lamps
- Average life rating of 25,000 hours¹
- No mercury allowing for non-hazardous waste disposal
- Title 20 qualified for California applications
- 5-year limited warranty depending on operating hours²

Lamps

Product Number	Model Number	Ordering Code	Watts (W)	Base	CRI (min)	CCT (K)	Lumens (lms)	Beam Angle	Voltage	Case Qty	Pallet Qty
CorePro High Bay Type B											
54195-0	929001990004	25HB/LED/850/ND FB 6/1	25	E26	90	5000	2800	200°	120V	6	264
54196-0	929001990104	38HB/LED/850/ND FB 6/1	38	E26	90	5000	3800	200°	120V	6	144
54306-6	929001999104	25HB/LED/840/ND FB 6/1	25	E26	90	4000	2800	200°	120V	6	264
54307-4	929001999204	38HB/LED/840/ND FB 6/1	38	E26	90	4000	3800	200°	120V	6	144
54231-6	929001990504	75HB/LED/850/ND FB 4/1	75	EX39	90	5000	8500	240°	Universal 120/277V	6	192
54232-4	929001993104	75HB/LED/840/ND FB 4/1	75	EX39	90	4000	8500	240°	Universal 120/277V	6	192

1. Tested to B50 L70 requirement. LED lifetime means the length of time (in hours) until half of the LED light sources maintain at least 70% of their initial lumen output (B50, L70).
2. See www.signify.com/warranties for details.

Online resources



Access our complete selection of online resources at:

signify.com/lighttogo



Quick to Order

Light to go product selections are designed for easy ordering through Signify's MyLighting portal.



Easy on your wallet

Light to go is competitively priced to meet the demands of budget conscious projects focused on cost and energy.



Marketing Tools and Resources

Contact your Signify representative for in store merchandiser and promotional offerings.



Simple to use

Whether you are working on a retrofit project or new construction, Light to go products are easy to install with minimal steps.

Light to go



Things just got easier with our expanded lighting essential offerings – quick to order, easy on your wallet and simple to use.

Light to go is our unparalleled breadth of simplified, essential offerings focused on the fulfillment of the most popular and daily demands of core stock items for small projects as well as maintenance and repair opportunities.

Choose Signify for the broadest range of technology solutions from industry leading professional brands you can trust.

Because, every job matters



© 2020 Signify Holding. All rights reserved. The information provided herein is subject to change, without notice. Signify does not give any representation or warranty as to the accuracy or completeness of the information included herein and shall not be liable for any action in reliance thereon. The information presented in this document is not intended as any commercial offer and does not form part of any quotation or contract, unless otherwise agreed by Signify. All trademarks are owned by Signify Holding or their respective owners.

Signify North America Corporation
200 Franklin Square Drive,
Somerset, NJ 08873
Telephone 855-486-2216

Signify Canada Ltd.
281 Hillmount Road,
Markham, ON, Canada L6C 2S3
Telephone 800-668-9008