



Chloride Value+ LED emergency unit (VLLU) is an economically oriented emergency product that features a low profile design giving it a stylish appeal suitable for any general purpose application. The semi-recessed lamp heads offer a subtle appearance that is preferred over traditional units. Utilizing long life high-performing LEDs, the VLLU provides excellent emergency illumination at a reasonable price.

Project: _____
 Location: _____
 Cat.No: _____
 Type: _____
 Lamps: _____ Qty: _____
 Notes: _____

LED emergency unit - ordering guide

Model number	Voltage	Housing color	LED lamps	Remote capability
VLLU	3.6V	White	2 - 1W	None
VLLUR	3.6V	White	2 - 1W	2 - 1W or 1 - 2W heads
VLLU2	3.6V	White	2 - 2W	None

Accessories (order separately)

- **WG4** - Wire guard

VLL1R



VLL2R



VLL1RGO



VLL2RGO



LED remote lamp heads - ordering guide

Model number	Voltage	Housing color	LED lamps	Application
VLL1R	3.6V	Off-white	1 - 1W	Indoor
VLL2R	3.6V	Off-white	2 - 1W	Indoor
VLL1RGO	3.6V, 6V, 9.6V, or 12V	Gray	1 - 1W	Outdoor
VLL2RGO	3.6V, 6V, 9.6V, or 12V	Gray	2 - 1W	Outdoor

Light to go

Compatible configurations

Product

VLLU
VLLUR
VLLU2

Remote lamp heads

VLL1R
VLL2R
VLL1RGO
VLL2RGO

VLLU Value+ LED exit/unit combo

Economy grade

Specifications

Codes and standards

- UL Listed to Standard 924
- cUL Listed
- NFPA 101 (Life Safety Code)
- NFPA 70 (National Electric Code)
- Suitable for damp locations

Lamps

- VLLU/VLLUR emergency lighting units contain two 3.6VDC - 1W longlife LED lamp sources (6000K)
- VLLU2 emergency lighting units contain two 3.6VDC - 2W longlife LED lamp sources (6000K)
- Fully adjustable LED lamp heads provide 200 lumens.

Power consumption

- VLLU (120V) - 0.6W
- VLLUR (277V) - 0.78W

Construction

- Thermoplastic (off-white) ABS housing
- UL 94V-O flame rating
- Wall or ceiling mounted - provisions for surface mounted conduit to top of wall mounted unit
- Back plate keyhole slots are easily removable knockouts for securing to 4" jbox for easy mounting

Battery

- Maintenance-free sealed 3.6V nickel cadmium
- Manual test switch and LED light indicator
- Supplies emergency illumination for a minimum of 90 minutes
- Operating temperature range: 10°C (50°F) to 40°C (104°F)

Electronics

- 120/277VAC, 60Hz dual voltage selectable input
- Surge protected, solid state circuitry
- Charging systems are complete with low voltage disconnect (prevents deep discharge of battery), battery lockout (prevents discharge of battery during installation), and brownout protection

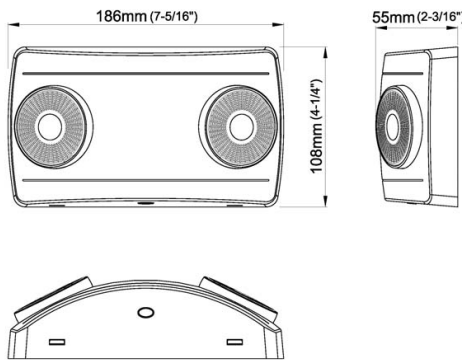
Remote capability

- VLLUR unit provides enough remote capability to supply 3.6V DC power to 2-1W (VLL1R) LED remote lamp heads or 1-2W (VLL2R) LED remote lamp head.
- VLLUR unit provides enough remote capability to supply 3.6V DC power to 2-1W (VLL1RGO) LED remote lamps heads or 1-2W (VLL2RGO) LED remote lamp head.

Warranty

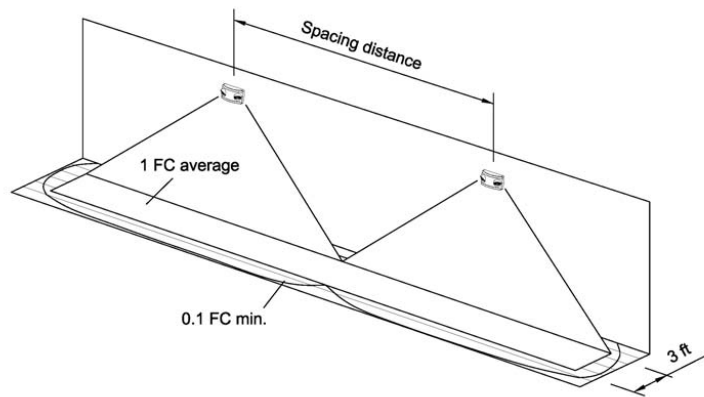
- Three year limited warranty on electronics, LEDs, and battery.

Dimensions



Spacing information

NFPA 101 requires 1.0 foot-candle average and 0.1 foot-candle minimum with a 40:1 maximum/minimum ratio. The corridor used is 100 feet long, 9 feet ceiling with a 6 feet wide walkway and 3 feet path of egress. The reflectance is 80% ceiling, 50% walls and 20% floors. The fixture mounting height is 7.5 feet.



Model	Spacing distance	Lumen output
VLLU, VLLUR	16 feet	150 lm
VLLU2	24 feet	250 lm

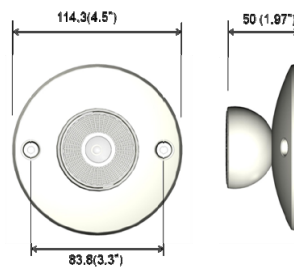
VLLU Value+ LED exit/unit combo

Economy grade

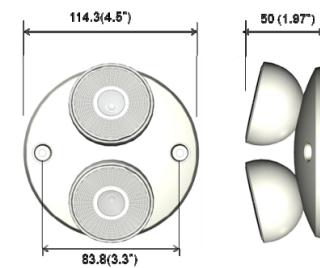
Indoor LED remote lamp heads

- VLL1R single LED remote lamp head contains a 3.6VDC 1W LED light source
- VLL2R dual LED remote lamp heads, each contain a 3.6VDC 1W LED light source
- VLL1R and VLL2R indoor LED remote lamp heads have an off-white finish
- Each VLL1R and VLL2R indoor LED remote lamp heads can accept power only from a VLLUR unit, VLLCR2R combo or VLLCG2R combo

VLL1R dimensions



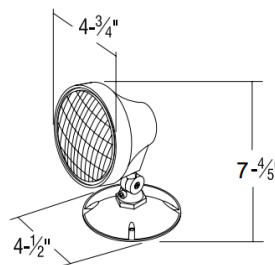
VLL2R dimensions



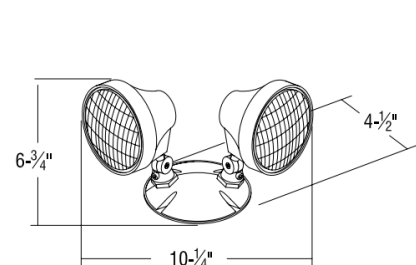
Outdoor LED remote lamp heads

- VLL1RGO single outdoor LED remote lamp head contains a 1W LED light source
- VLL2RGO dual outdoor LED remote lamp heads, each contain a 1W LED light source
- VLL1RGO and VLL2RGO power source can be either a 3.6, 6, 9.6 or 12VDC
- VLL1RGO and VLL2RGO outdoor LED remote lamp heads have a gray finish

VLL1RGO dimension



VLL2RGO dimensions



The information presented in this document is not intended as any commercial offer and does not form part of any quotation or contract.

