



Lightolier LyteCaster LED Accent shower light features a 3.5" luminaire height that conserves plenum space. The modular and interchangeable light engine allows for an easy future upgrade. The accent shower light is wet location listed and comes in 2 standard finish options.

Project: _____
 Location: _____
 Cat.No: _____
 Type: _____
 Lamps: _____ Qty: _____
 Notes: _____

Complete product = Frame-in kit + Light engine + Trim Order each separately

Ordering guide: Frame-In kit

Example: L3AE1

| Series | Frame type | Dimming | Input voltage |
|-------------------------|--|----------------------------|-------------------------------|
| L3 | <input type="checkbox"/> | <input type="checkbox"/> | <input type="checkbox"/> |
| L3 LyteCaster 3" Accent | A AirSeal IC, New Construction, Screw | E ELV/Triac dimming | 1 120V |
| | AN AirSeal IC, New Construction, Nail | | |
| | C Remodeler Non-IC | Z10 0-10V | U Universal (120-277V) |
| | N New Construction Non-IC | | |

Ordering guide: Light engine

Example: L308830NF

| Series | Lumens | CRI | CCT | Beam | Option |
|-------------------------|-----------|--------------------------|---|--|-----------------------------------|
| L3 | 08 | <input type="checkbox"/> | <input type="checkbox"/> | <input type="checkbox"/> | <input type="checkbox"/> |
| L3 LyteCaster 3" Accent | 08 800 | 8 80 | 27 2700K 30 3000K 35 3500K | S Spot, 43° NF Narrow flood, 44° F Flood, 50° | |
| | | 9 90 | 27 2700K 30 3000K ¹ | S Spot, 43° NF Narrow flood, 44° F Flood, 50° | CW CrispWhite ¹ |

Ordering guide: Round trim

Example: L3RSA

| Series | Shape | Luminaire type | Finish | Flange |
|-------------------------|----------------|-----------------------|--------------------------|-------------------------------------|
| L3 | R | S | <input type="checkbox"/> | <input type="checkbox"/> |
| L3 LyteCaster 3" Accent | R Round | S Shower light | | W White A Aluminum |

1. 3000K and CrispWhite must be ordered together.

Light to go

Compatible configurations

Frames

L3AE1
L3ANE1
L3CE1
L3NZ10U

Engines

L308827NF L308827F
L308830NF L308830F
L308835NF L308835F

Trims

L3RSW



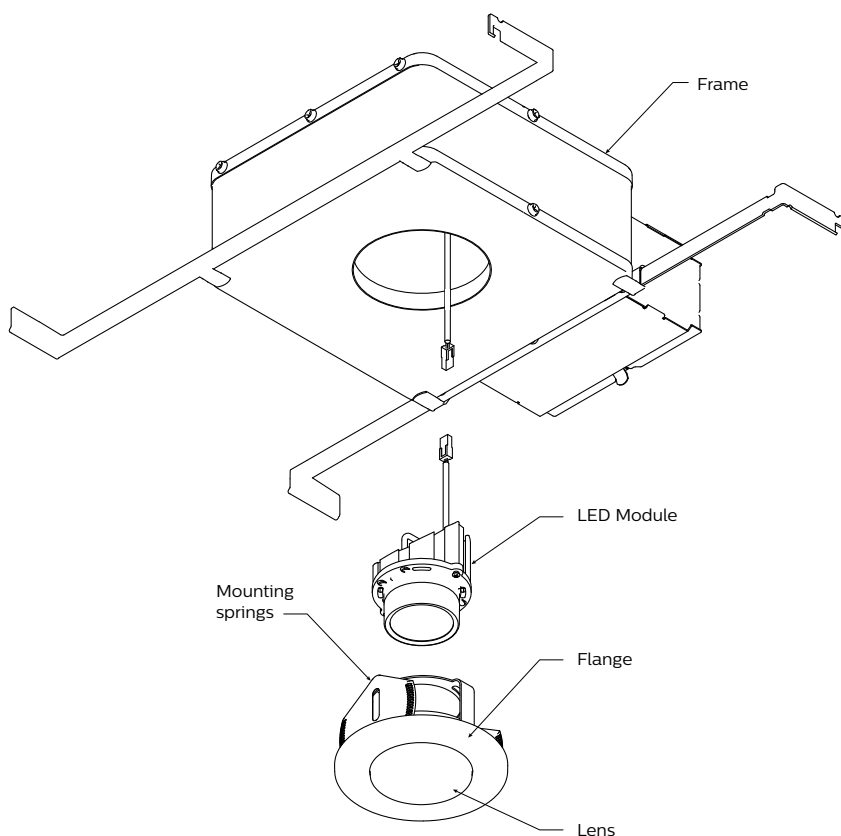
L3RS LyteCaster LED 3" Accent

Round Shower Light

Assembled configuration:

1. Frame Galvanized steel construction with internal access door for inspection of junction box.
2. LED Module Extruded Aluminum clear anodized finish heat sink with thermal interface material efficiently transfers heat away from LED. Includes strain relieved low voltage whip with snap interconnector for quick, tool less assembly of power connection. Tool-less assembly to trim.
3. LED Module can be installed before or after trim installation.
4. Mounting springs stainless steel mounting springs min 0.013" thick provide a universal mounting solution between the different frame offerings
5. Reflector: Aluminum Reflector Cone.
6. Die Cast Aluminum Trim Flange.
7. Lens: Frosted Glass

Note: LED module allows for field replaceable optics. Order separately.



Electrical Specifications

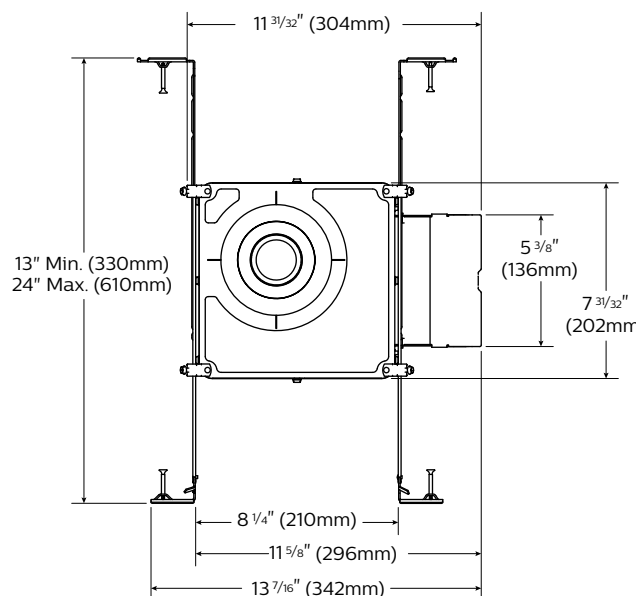
| Frame-in kit | Input volts | Input freq. | Input current | LED drive current | Input power | LED power | THD factor | Power factor |
|--------------|-------------|-------------|---------------|-------------------|-------------|-----------|------------|--------------|
| L3AE1 | 120V | 50/60Hz | .090 A | 260 ma | 10.64 W | 8.76 W | <20% | > .9 |
| L3ANE1 | 120V | 50/60Hz | .090 A | 260 ma | 10.64 W | 8.76 W | <20% | > .9 |
| L3CE1 | 120V | 50/60Hz | .090 A | 260 ma | 10.64 W | 8.76 W | <20% | > .9 |
| L3NZ10U | 120V | 50/60Hz | .102 A | 260 ma | 11.8 W | 9.74 W | <10% | > .8 |
| | 277V | 50/60Hz | .047 A | 260 ma | 11.8 W | 8.90 W | <10% | > .8 |

L3RS LyteCaster LED 3" Accent

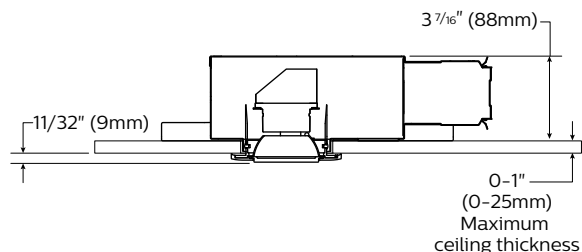
Round Shower Light

L3AE1 & L3ANE1 new construction in IC AirSeal frame-in kits

Bottom view

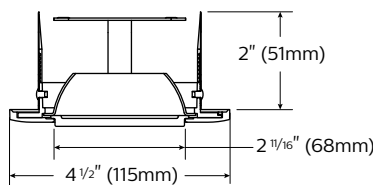


Side view

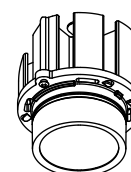


Round trim

Side view



Light engine



Features

- Housing:** #23 ga. (.026") thick Galvanized steel. cULus listed for direct contact with thermal insulation (IC rated). AirSeal housing minimizes air leakage to less than 2 CFM at 1.57PSF (or 75PA), which complies with Title 24, the International Energy Conservation Code, and Washington State Energy Code (Section 502.4). This helps to reduce heat loss and condensation in ceiling. Internal access door for inspection of junction box.
- Lower frame and top cover:** #23 ga. (.026") thick Galvanized steel. Accommodates ceilings up to 1" (25.4 mm) thick. Bottom cover provided with a .5" (6.2mm) lip and 4 embossed indicator lines to simplify alignment during installation. Housing can be locked into position on the mounting bars with locking screws.
- Junction box:** 2 1/2" (64mm) x 5 3/8" (137mm) x 2" (51mm) #21 ga. (.032") thick galvanized steel, cULus listed 90 degrees C rated supply conductors. Rated for branch circuit wiring supplying connected luminaires (daisy chaining).
- Mounting bars:** #16 ga. (.059") thick galvanized steel. Bars pivot for easy attachment and wire in from below the ceiling line. Bars can extend to accommodate 16" (406mm) to 24" (610mm) O.C. joist spacing. Bars can accommodate 12" (305mm) O.C. joist spacing after slight field modification (see instruction sheet). Features integral self-tapping screw phillips/square drive for attachment to wood or metal construction. Also available with integral nails (N). Attaches to T-bar ceilings without accessories. Bars installed on shortest dimension of frame can be easily rotated 90° from original position.
- Electronic dimming driver:** Class 2 electronic LED Driver, with less than 1 second start up, RoHS compliant, suitable for damp locations. 120v 50/06Hz >.9 power factor. Sound rating Class "A" (<24dB). Complies with FCC,CFR title 47 part 15 Class A for EMI/RFI. Dimmable with standard electronic low voltage (ELV) & Triac dimmers. Dims to less than or equal to 10% of relative high output. 5 year limited warranty.
- Ceiling cutout:** 3 3/4" diameter.

Electrical

Input voltage 120v, Input freq.: 50/60 hZ, Input current .25 amps, Input Power 12W, Power factor >.9

Warranty

5 year limited warranty. (visit philips.com/warranties for details)

Labels

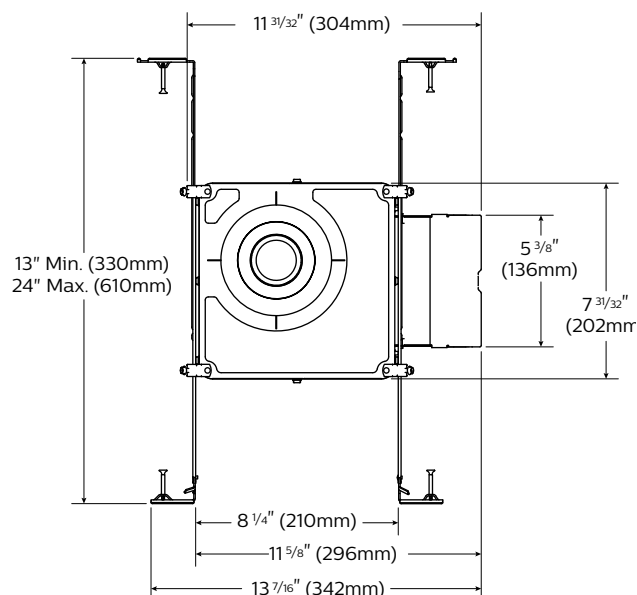
cULus type IC listed suitable for wet location. AirSeal.

L3RS LyteCaster LED 3" Accent

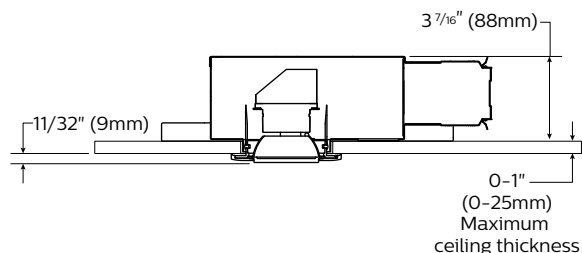
Round Shower Light

L3NZ10V New construction non IC 0-10V frame-in kit

Bottom view

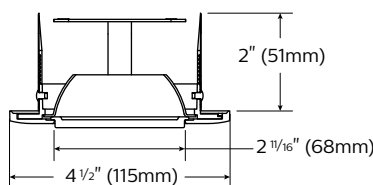


Side view

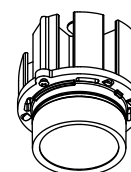


Round trim

Side view



Light engine



Features

- 1. Non-IC housing:** #23 ga. (.026") thick Galvanized steel. cULus listed for damp locations. AirSeal housing minimizes air leakage to less than 2CFM at 1.57 PSF (or 75PA), complies with Title 24, International Energy Conservation Code, and Washington State Energy Code (section 502.4) Frame provided with internal access door for inspection of junction box.
- 2. Lower frame and top cover:** #23 ga. (.026") thick Galvanized steel. Accommodates ceilings up to 1" (25.4 mm) thick. Bottom cover provided with a .5" (6.2mm) lip and 4 embossed indicator lines to simplify alignment during installation. Housing can be locked into position on the mounting bars with locking screws.
- 3. Junction box:** 2 1/2" (64mm) x 5 3/8" (137mm) x 2" (51mm) #21 ga. (.032") thick galvanized steel, cULus listed 90 degrees C rated supply conductors. Rated for branch circuit wiring supplying connected luminaires (daisy chaining).
- 4. Mounting bars:** #16 ga. (.059") thick galvanized steel. Bars pivot for easy attachment and wire in from below the ceiling line. Bars can extend to accommodate 16" (406mm) to 24" (610mm) O.C. joist spacing. Bars can accommodate 12" (305mm) O.C. joist spacing after slight field modification. (see instruction sheet) Features integral self-tapping screw phillips/square drive screws for attachment to wood or metal construction. Attaches to T-bar ceilings without accessories. Bars installed on shortest dimension of frame can be easily rotated 90° from original position.
- 5. Electronic dimming driver:** Class 2 electronic LED driver, RoHS compliant, suitable for damp location. 120/277v 50/06Hz >.9 power factor. MTP (module thermal protection) current cutback up to 10% to prevent overheating. Sound rating Class "A" (<24dB). Complies with FCC, CFR title 47 part 15 Class B for EMI/RFI. Dimming Protocol (0-10v). Dims to less than or equal to 10% of relative high output.
- 6. Ceiling cutout:** 3 3/4" diameter.

Electrical

Input voltage: 120/277, input freq.:50/60Hz. Input current .14A/06A Input Power 16.4W, Power factor >.9

Warranty

5 year limited warranty. (visit philips.com/warranties for details)

Labels

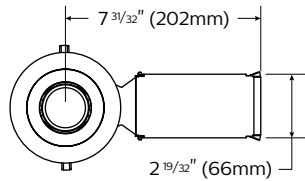
cULus listed suitable for wet location. AirSeal. Inherently Protected. IP rated.

L3RS LyteCaster LED 3" Accent

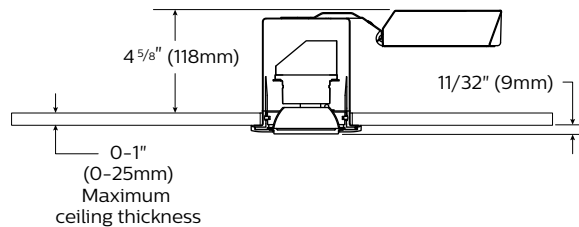
Round Shower Light

L3CE1 Non-IC Remodeler kit

Bottom view

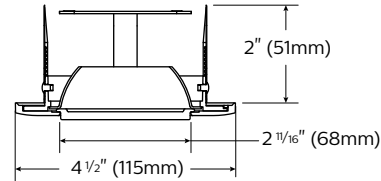


Side view

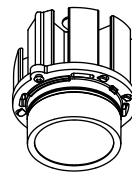


Round trim

Side view



Light engine



Features

- Non-IC housing:** #25 ga. (.025") thick Galvanized steel. Provided with 2 plates steel retaining springs that can accommodate ceiling thickness up to 1" (25.4mm) thick. Philips screw driver required to tighten springs that secure housing to ceiling.
- Junction box:** #22 ga. (.034") thick Galvanized steel. cULus, suitable for damp locations. Junction box assembly swivels for tight plenum spaces. Snap off cover permits wiring access.
- Electronic dimming driver** (same as new construction): Class 2 electronic LED Driver, with less than 1 second start up, RoHS compliant, suitable for damp locations. 120v 50/06Hz >.9 power factor. Sound rating Class "A" (<24dB). Complies with FCC, CFR title 47 part 15 Class B for EMI/RFI. Dimmable with standard electronic low voltage (ELV) & Triac dimmers. Dims to less than or equal to 10% of relative high output. 5 year limited warranty.
- Trim compatibility:** Not compatible with adjustable trims except for L3RG series Gimbals.
- Ceiling cutout** 3 3/4" diameter.

Electrical

Input voltage 120v, Input freq.: 50/60 hZ, Input current .25 amps, Input Power 12W, Power factor >.9

Warranty

5 year limited warranty. (visit philips.com/warranties for details)

Labels

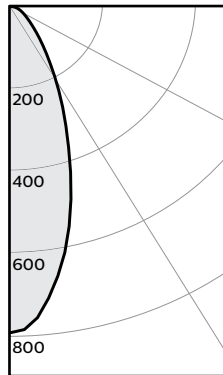
cULus listed suitable for wet location, inherently protected (IP rated).

L3RS LyteCaster LED 3" Accent

Round Shower Light

Beam spread: Spot

Candela Curves



| Angle | Mean CP | Lumens |
|-------|---------|--------|
| 0 | 790 | |
| 5 | 756 | 69 |
| 10 | 663 | |
| 15 | 551 | 152 |
| 20 | 427 | |
| 25 | 319 | 147 |
| 30 | 235 | |
| 35 | 169 | 107 |
| 40 | 123 | |
| 45 | 90 | 71 |
| 50 | 67 | |
| 55 | 52 | 47 |
| 60 | 41 | |
| 65 | 32 | 32 |
| 70 | 25 | |
| 75 | 19 | 21 |
| 80 | 14 | |
| 85 | 8 | 8 |
| 90 | 0 | |

Frame: L3NZ10U

Light engine: L308835S

Trim: L3RSA

Report no³: 543GFR

Output lumens: 654lm
Input Watts¹: 11.8W
Beam angle: 43°
Spacing Criterion: 0.7

Efficacy: 55.4lm/W
CCT²: 3500K
CRI: ≥80

Single unit data

| Height to Lighted Plane | Initial Center Beam Foot-Candles | Beam Dia. (ft) [*] |
|-------------------------|----------------------------------|-----------------------------|
| 5' | 32 | 3.5' |
| 6' | 22 | 4.2' |
| 7' | 16 | 4.9' |
| 8' | 12 | 5.6' |
| 9' | 10 | 6.3' |

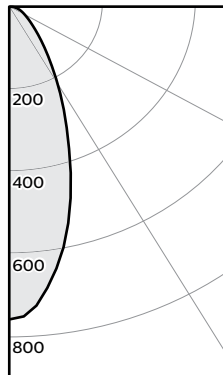
Zonal lumens & percentages

| Zone | Lumens | %Luminaire |
|------|--------|------------|
| 0-30 | 368 | 56.3% |
| 0-40 | 475 | 72.7% |
| 0-60 | 593 | 90.7% |
| 0-90 | 654 | 100.0% |

* Beam diameter is where foot-candles drop to 50% of maximum.

Beam spread: Narrow flood

Candela Curves



| Angle | Mean CP | Lumens |
|-------|---------|--------|
| 0 | 757 | |
| 5 | 727 | 67 |
| 10 | 644 | |
| 15 | 543 | 150 |
| 20 | 428 | |
| 25 | 324 | 149 |
| 30 | 242 | |
| 35 | 176 | 112 |
| 40 | 129 | |
| 45 | 95 | 75 |
| 50 | 71 | |
| 55 | 55 | 50 |
| 60 | 43 | |
| 65 | 34 | 34 |
| 70 | 27 | |
| 75 | 20 | 22 |
| 80 | 14 | |
| 85 | 8 | 9 |
| 90 | 0 | |

Frame: L3NZ10U

Light engine: L308835NF

Trim: L3RSA

Report no³: 532GFR

Output lumens: 665lm
Input Watts¹: 11.8W
Beam angle: 44°
Spacing Criterion: 0.7

Efficacy: 56.4lm/W
CCT²: 3500K
CRI: ≥80

Single unit data

| Height to Lighted Plane | Initial Center Beam Foot-Candles | Beam Dia. (ft) [*] |
|-------------------------|----------------------------------|-----------------------------|
| 5' | 30 | 3.5' |
| 6' | 21 | 4.2' |
| 7' | 15 | 4.9' |
| 8' | 12 | 5.6' |
| 9' | 9 | 6.3' |

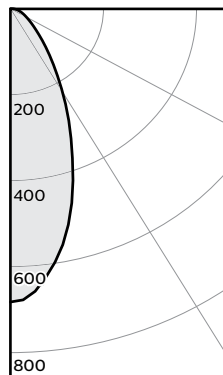
Zonal lumens & percentages

| Zone | Lumens | %Luminaire |
|------|--------|------------|
| 0-30 | 366 | 55.0% |
| 0-40 | 477 | 71.7% |
| 0-60 | 601 | 90.3% |
| 0-90 | 665 | 100.0% |

* Beam diameter is where foot-candles drop to 50% of maximum.

Beam spread: Flood

Candela Curves



| Angle | Mean CP | Lumens |
|-------|---------|--------|
| 0 | 683 | |
| 5 | 661 | 61 |
| 10 | 599 | |
| 15 | 521 | 144 |
| 20 | 426 | |
| 25 | 334 | 154 |
| 30 | 257 | |
| 35 | 191 | 121 |
| 40 | 142 | |
| 45 | 105 | 82 |
| 50 | 78 | |
| 55 | 60 | 54 |
| 60 | 46 | |
| 65 | 37 | 36 |
| 70 | 29 | |
| 75 | 22 | 23 |
| 80 | 15 | |
| 85 | 9 | 10 |
| 90 | 0 | |

Frame: L3NZ10U

Light engine: L308835F

Trim: L3RSA

Report no³: 524GFR

Output lumens: 684lm
Input Watts¹: 11.8W
Beam angle: 50°
Spacing Criterion: 0.8

Efficacy: 57.9lm/W
CCT²: 3500K
CRI: ≥80

Single unit data

| Height to Lighted Plane | Initial Center Beam Foot-Candles | Beam Dia. (ft) [*] |
|-------------------------|----------------------------------|-----------------------------|
| 5' | 27 | 4.0' |
| 6' | 19 | 4.8' |
| 7' | 14 | 5.6' |
| 8' | 11 | 6.4' |
| 9' | 8 | 7.2' |

Zonal lumens & percentages

| Zone | Lumens | %Luminaire |
|------|--------|------------|
| 0-30 | 359 | 52.5% |
| 0-40 | 479 | 70.0% |
| 0-60 | 615 | 89.9% |
| 0-90 | 684 | 100.0% |

* Beam diameter is where foot-candles drop to 50% of maximum.

1. Wattage: controlled to within ± 10%
2. Correlated Color Temperature: within specs as defined in ANSI_NEMA_ANSI C78.377-2008: Specifications for the Chromaticity of Solid State Lighting Products.
3. Tested using absolute photometry as specified in LM79: IESNA Approved Method for the Electrical and Photometric Measurements of Solid-State Lighting Products.

Adjustment factors

Color temperature (CCT)

| |
|--------------|
| 2700K = 88% |
| 3000K = 96% |
| 3500K = 100% |

Color Rendering Index (CRI)

| |
|---------------|
| 80 = 100% |
| 90 = 85% |
| 90 (CW) = 78% |
| Crisp White |

