



The Perfect LED Spot solution

LED MR16

Philips LED MR-16 lamps with single optic technology provide the look and color quality of traditional halogens while using a fraction of the energy. A perfect fit for spot lighting, they are compatible with most existing fixtures with MR16 GU5.3 holders and are designed as a retrofit replacement for halogen or incandescent spots.

Benefits

- Up to 80% energy saving compared with halogen lamps and lower maintenance costs
- Easy to replace/retro-fit. Broad compatibility with transformers
- “Perfect fit” in most current Halogen fixtures

Features

- Ranging between 15,000 to 40,000 hour LED Lifetime
- Easy to replace/retro-fit- “Perfect fit” in most current Halogen fixtures. Title 20 & Title 24 JA8 compliant versions options are available
- Optimized look and feel of product
- Compatible with most commonly available halogen transformers
- Ranging between 3-year to 5-year limited component warranty depending upon operating hours

Application

- Hotels, restaurants, bars, cafés, museums, shops
- Lobbies, corridors, stairwells, washrooms, reception areas , exhibitions, display cabinets

Light to go

Compatible configurations

Lamps

7.3MR16/LED/827/F35/DIM 12V 10/1FB
7.3MR16/LED/830/F35/DIM 12V 10/1FB
7.3MR16/LED/830/F25/DIM 12V 10/1FB
7.3MR16/LED/827/F25/DIM 12V 10/1FB

LED MR16

Versions



GU5.3 MR16



GU5.3 MR16



GU5.3 MR16



GU5.3 MR16



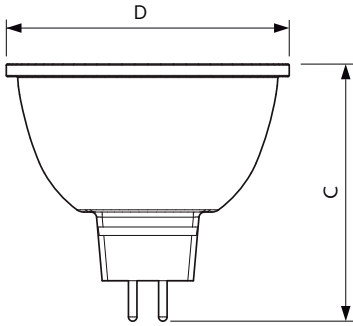
GU5.3 MR16



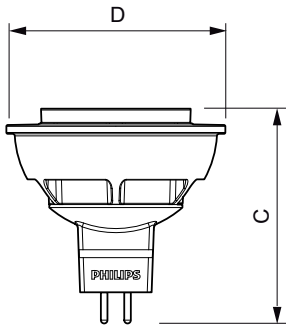
GU5.3 MR16

LED MR16

Dimensional drawing



Product	D	C
6.5MR16/LED/F25/930/D/EC/12V T20 10/1FB	50.5 mm	46 mm
6.5MR16/LED/F35/927/D/EC/12V T20 10/1FB	50.5 mm	46 mm
6.5MR16/LED/F25/927/D/EC/12V T20 10/1FB	50.5 mm	46 mm
8.5MR16/LED/830/F35/DIM 12V 10/1FB	50.5 mm	46.5 mm
8.5MR16/LED/827/F35/DIM 12V 10/1FB	50.5 mm	46.5 mm
8.5MR16/LED/840/F35/DIM 12V 10/1FB	50.5 mm	46.5 mm
7.3MR16/LED/827/F35/DIM 12V 10/1FB	50.5 mm	46.5 mm
7.3MR16/LED/830/F35/DIM 12V 10/1FB	50.5 mm	46.5 mm
8.5MR16/LED/840/F25/DIM 12V 10/1FB	50.5 mm	46.5 mm
7.3MR16/LED/827/F25/DIM 12V 10/1FB	50.5 mm	46.5 mm
8.5MR16/LED/827/F25/DIM 12V 10/1FB	50.5 mm	46.5 mm
8.5MR16/LED/830/F25/DIM 12V 10/1FB	50.5 mm	46.5 mm
7.3MR16/LED/830/F25/DIM 12V 10/1FB	50.5 mm	46.5 mm
7MR16 ExpertColor Retail S10 930 10/1	51 mm	46 mm
7MR16 ExpertColor Retail F35 930 10/1	51 mm	46 mm
7.8MR16/PER/927/F35/Dim/EC/12V 10/1FB	51 mm	46 mm
7.8MR16/PER/940/F35/Dim/EC/12V 10/1FB	51 mm	46 mm
7.8MR16/PER/930/F35/Dim/EC/12V 10/1FB	51 mm	46 mm
7.8MR16/PER/927/F25/Dim/EC/12V 10/1FB	51 mm	46 mm
7.8MR16/PER/940/F25/Dim/EC/12V 10/1FB	51 mm	46 mm
7.8MR16/PER/930/F25/Dim/EC/12V 10/1FB	51 mm	46 mm
7.8MR16/PER/940/S10/Dim/EC/12V 10/1FB	51 mm	46 mm
7.8MR16/PER/930/S10/Dim/EC/12V 10/1FB	51 mm	46 mm
7.8MR16/PER/927/S10/Dim/EC/12V 10/1FB	51 mm	46 mm
6.5MR16/LED/F35/930/D/EC/12V T20 10/1FB	50.5 mm	46 mm



Product	D	C
6.4MR16/F35/3000 DIM 12V	51 mm	51 mm
6.4MR16/F25/3000 DIM 12V	51 mm	51 mm
6.5MR16/F35/2700-2200 DIM 12V	51 mm	50 mm
6.5MR16/F25/2700-2200 DIM 12V	51 mm	50 mm

General Information

Cap-Base	GU5.3
Switching Cycle	50000X

Light Technical

Llmf At End Of Nominal Lifetime (Nom)	70 %
---------------------------------------	------

Mechanical and Housing

Bulb Shape	MR16
------------	------

Approval and Application

LED MR16

Order Code	Full Product Name	Energy Consumption kWh/1000 h	Energy Efficiency Label (EEL)
454538	6.5MR16/F25/2700-2200 DIM 12V 10/1	- kWh	Not applicable
454546	6.5MR16/F35/2700-2200 DIM 12V 10/1	7 kWh	Not applicable
470336	6.4MR16/F25/3000 DIM 12V 10/1	-	Not applicable
470344	6.4MR16/F35/3000 DIM 12V 10/1	-	Not applicable
470229	7MR16 ExpertColor Retail S10 930 10/1	-	-
479139	6.5MR16/LED/F25/927/D/EC/12V T20 10/1FB	-	-
479147	6.5MR16/LED/F25/930/D/EC/12V T20 10/1FB	-	-
479162	6.5MR16/LED/F35/927/D/EC/12V T20 10/1FB	-	-
479170	6.5MR16/LED/F35/930/D/EC/12V T20 10/1FB	-	-
470138	7.8MR16/PER/927/S10/Dim/EC/12V 10/1FB	-	-
470146	7.8MR16/PER/930/S10/Dim/EC/12V 10/1FB	-	-
470153	7.8MR16/PER/940/S10/Dim/EC/12V 10/1FB	-	-
470161	7.8MR16/PER/927/F25/Dim/EC/12V 10/1FB	-	-

Order Code	Full Product Name	Energy Consumption kWh/1000 h	Energy Efficiency Label (EEL)
470179	7.8MR16/PER/930/F25/Dim/EC/12V 10/1FB	-	-
470187	7.8MR16/PER/940/F25/Dim/EC/12V 10/1FB	-	-
470195	7.8MR16/PER/927/F35/Dim/EC/12V 10/1FB	-	-
470203	7.8MR16/PER/930/F35/Dim/EC/12V 10/1FB	-	-
470211	7.8MR16/PER/940/F35/Dim/EC/12V 10/1FB	-	-
470245	7MR16 ExpertColor Retail F35 930 10/1	-	-
533117	7.3MR16/LED/827/F25/DIM 12V 10/1FB	-	-
533125	7.3MR16/LED/830/F25/DIM 12V 10/1FB	-	-
533141	7.3MR16/LED/827/F35/DIM 12V 10/1FB	-	-
533158	7.3MR16/LED/830/F35/DIM 12V 10/1FB	-	-
533182	8.5MR16/LED/827/F35/DIM 12V 10/1FB	-	-
533190	8.5MR16/LED/830/F35/DIM 12V 10/1FB	-	-
533331	8.5MR16/LED/840/F35/DIM 12V 10/1FB	-	-
533513	8.5MR16/LED/827/F25/DIM 12V 10/1FB	-	-
533174	8.5MR16/LED/830/F25/DIM 12V 10/1FB	-	-
533521	8.5MR16/LED/840/F25/DIM 12V 10/1FB	-	-

Controls and Dimming

Order Code	Full Product Name	Dimmable
454538	6.5MR16/F25/2700-2200 DIM 12V 10/1	Yes
454546	6.5MR16/F35/2700-2200 DIM 12V 10/1	Yes
470336	6.4MR16/F25/3000 DIM 12V 10/1	Yes
470344	6.4MR16/F35/3000 DIM 12V 10/1	Yes
470229	7MR16 ExpertColor Retail S10 930 10/1	No
479139	6.5MR16/LED/F25/927/D/EC/12V T20 10/1FB	Yes
479147	6.5MR16/LED/F25/930/D/EC/12V T20 10/1FB	Yes
479162	6.5MR16/LED/F35/927/D/EC/12V T20 10/1FB	Yes
479170	6.5MR16/LED/F35/930/D/EC/12V T20 10/1FB	Yes
470138	7.8MR16/PER/927/S10/Dim/EC/12V 10/1FB	Yes
470146	7.8MR16/PER/930/S10/Dim/EC/12V 10/1FB	Yes
470153	7.8MR16/PER/940/S10/Dim/EC/12V 10/1FB	Yes
470161	7.8MR16/PER/927/F25/Dim/EC/12V 10/1FB	Yes
470179	7.8MR16/PER/930/F25/Dim/EC/12V 10/1FB	Yes
470187	7.8MR16/PER/940/F25/Dim/EC/12V 10/1FB	Yes

Order Code	Full Product Name	Dimmable
470195	7.8MR16/PER/927/F35/Dim/EC/12V 10/1FB	Yes
470203	7.8MR16/PER/930/F35/Dim/EC/12V 10/1FB	Yes
470211	7.8MR16/PER/940/F35/Dim/EC/12V 10/1FB	Yes
470245	7MR16 ExpertColor Retail F35 930 10/1	No
533117	7.3MR16/LED/827/F25/DIM 12V 10/1FB	Yes
533125	7.3MR16/LED/830/F25/DIM 12V 10/1FB	Yes
533141	7.3MR16/LED/827/F35/DIM 12V 10/1FB	Yes
533158	7.3MR16/LED/830/F35/DIM 12V 10/1FB	Yes
533182	8.5MR16/LED/827/F35/DIM 12V 10/1FB	Yes
533190	8.5MR16/LED/830/F35/DIM 12V 10/1FB	Yes
533331	8.5MR16/LED/840/F35/DIM 12V 10/1FB	Yes
533513	8.5MR16/LED/827/F25/DIM 12V 10/1FB	Yes
533174	8.5MR16/LED/830/F25/DIM 12V 10/1FB	Yes
533521	8.5MR16/LED/840/F25/DIM 12V 10/1FB	Yes

Operating and Electrical

Order Code	Full Product Name	Input Frequency	Voltage (Nom)	Wattage Equivalent	Power (Rated) (Nom)	Starting Time (Nom)
454538	6.5MR16/F25/2700-2200 DIM 12V 10/1	50 to 60 Hz	12 V	-	6.5 W	0.5 s
454546	6.5MR16/F35/2700-2200 DIM 12V 10/1	50 to 60 Hz	12 V	-	6.5 W	0.5 s
470336	6.4MR16/F25/3000 DIM 12V 10/1	-	12 V	35 W	6.4 W	0.5 s
470344	6.4MR16/F35/3000 DIM 12V 10/1	-	12 V	35 W	6.4 W	0.6 s
470229	7MR16 ExpertColor Retail S10 930 10/1	-	12 V	30 W	7 W	0.5 s

LED MR16

Order Code	Full Product Name	Input Frequency	Voltage (Nom)	Wattage Equivalent	Power (Rated) (Nom)	Starting Time (Nom)
479139	6.5MR16/LED/F25/927/D/EC/12V T20 10/1FB	-	ac electronic 12 V	42 W	6.5 W	0.5 s
479147	6.5MR16/LED/F25/930/D/EC/12V T20 10/1FB	-	ac electronic 12 V	42 W	6.5 W	0.5 s
479162	6.5MR16/LED/F35/927/D/EC/12V T20 10/1FB	-	ac electronic 12 V	42 W	6.5 W	0.5 s
479170	6.5MR16/LED/F35/930/D/EC/12V T20 10/1FB	-	ac electronic 12 V	42 W	6.5 W	0.5 s
470138	7.8MR16/PER/927/S10/Dim/EC/12V 10/1FB	-	ac electronic 12 V	35 W	7.8 W	0.5 s
470146	7.8MR16/PER/930/S10/Dim/EC/12V 10/1FB	-	ac electronic 12 V	35 W	7.8 W	0.5 s
470153	7.8MR16/PER/940/S10/Dim/EC/12V 10/1FB	-	ac electronic 12 V	35 W	7.8 W	0.5 s
470161	7.8MR16/PER/927/F25/Dim/EC/12V 10/1FB	-	ac electronic 12 V	50 W	7.8 W	0.5 s
470179	7.8MR16/PER/930/F25/Dim/EC/12V 10/1FB	-	ac electronic 12 V	50 W	7.8 W	0.5 s
470187	7.8MR16/PER/940/F25/Dim/EC/12V 10/1FB	-	ac electronic 12 V	50 W	7.8 W	0.5 s
470195	7.8MR16/PER/927/F35/Dim/EC/12V 10/1FB	-	ac electronic 12 V	50 W	7.8 W	0.5 s
470203	7.8MR16/PER/930/F35/Dim/EC/12V 10/1FB	-	ac electronic 12 V	50 W	7.8 W	0.5 s
470211	7.8MR16/PER/940/F35/Dim/EC/12V 10/1FB	-	ac electronic 12 V	50 W	7.8 W	0.5 s
470245	7MR16 ExpertColor Retail F35 930 10/1	-	12 V	42 W	7 W	0.5 s
533117	7.3MR16/LED/827/F25/DIM 12V 10/1FB	-	ac electronic 12 V	50 W	7.3 W	0.5 s
533125	7.3MR16/LED/830/F25/DIM 12V 10/1FB	-	ac electronic 12 V	50 W	7.3 W	0.5 s
533141	7.3MR16/LED/827/F35/DIM 12V 10/1FB	-	ac electronic 12 V	50 W	7.3 W	0.5 s
533158	7.3MR16/LED/830/F35/DIM 12V 10/1FB	-	ac electronic 12 V	50 W	7.3 W	0.5 s
533182	8.5MR16/LED/827/F35/DIM 12V 10/1FB	-	ac electronic 12 V	75 W	8.5 W	0.5 s
533190	8.5MR16/LED/830/F35/DIM 12V 10/1FB	-	ac electronic 12 V	75 W	8.5 W	0.5 s
533331	8.5MR16/LED/840/F35/DIM 12V 10/1FB	-	ac electronic 12 V	75 W	8.5 W	0.5 s
533513	8.5MR16/LED/827/F25/DIM 12V 10/1FB	-	ac electronic 12 V	75 W	8.5 W	0.5 s
533174	8.5MR16/LED/830/F25/DIM 12V 10/1FB	-	ac electronic 12 V	75 W	8.5 W	0.5 s
533521	8.5MR16/LED/840/F25/DIM 12V 10/1FB	-	ac electronic 12 V	75 W	8.5 W	0.5 s

General Information

Order Code	Full Product Name	Nominal Lifetime (Nom)	Order Code	Full Product Name	Nominal Lifetime (Nom)
454538	6.5MR16/F25/2700-2200 DIM 12V 10/1	25000 h	470195	7.8MR16/PER/927/F35/Dim/EC/12V 10/1FB	25000 h
454546	6.5MR16/F35/2700-2200 DIM 12V 10/1	25000 h	470203	7.8MR16/PER/930/F35/Dim/EC/12V 10/1FB	25000 h
470336	6.4MR16/F25/3000 DIM 12V 10/1	25000 h	470211	7.8MR16/PER/940/F35/Dim/EC/12V 10/1FB	25000 h
470344	6.4MR16/F35/3000 DIM 12V 10/1	25000 h	470245	7MR16 ExpertColor Retail F35 930 10/1	40000 h
470229	7MR16 ExpertColor Retail S10 930 10/1	40000 h	533117	7.3MR16/LED/827/F25/DIM 12V 10/1FB	25000 h
479139	6.5MR16/LED/F25/927/D/EC/12V T20 10/1FB	25000 h	533125	7.3MR16/LED/830/F25/DIM 12V 10/1FB	25000 h
479147	6.5MR16/LED/F25/930/D/EC/12V T20 10/1FB	25000 h	533141	7.3MR16/LED/827/F35/DIM 12V 10/1FB	25000 h
479162	6.5MR16/LED/F35/927/D/EC/12V T20 10/1FB	25000 h	533158	7.3MR16/LED/830/F35/DIM 12V 10/1FB	25000 h
479170	6.5MR16/LED/F35/930/D/EC/12V T20 10/1FB	25000 h	533182	8.5MR16/LED/827/F35/DIM 12V 10/1FB	25000 h
470138	7.8MR16/PER/927/S10/Dim/EC/12V 10/1FB	25000 h	533190	8.5MR16/LED/830/F35/DIM 12V 10/1FB	25000 h
470146	7.8MR16/PER/930/S10/Dim/EC/12V 10/1FB	25000 h	533331	8.5MR16/LED/840/F35/DIM 12V 10/1FB	25000 h
470153	7.8MR16/PER/940/S10/Dim/EC/12V 10/1FB	25000 h	533513	8.5MR16/LED/827/F25/DIM 12V 10/1FB	25000 h
470161	7.8MR16/PER/927/F25/Dim/EC/12V 10/1FB	25000 h	533174	8.5MR16/LED/830/F25/DIM 12V 10/1FB	25000 h
470179	7.8MR16/PER/930/F25/Dim/EC/12V 10/1FB	25000 h	533521	8.5MR16/LED/840/F25/DIM 12V 10/1FB	25000 h
470187	7.8MR16/PER/940/F25/Dim/EC/12V 10/1FB	25000 h			

Light Technical

Order Code	Full Product Name	Beam Angle	Correlated Color		Color Rendering		Luminous Intensity
		(Nom)	Color Code	Temperature (Nom)	Index (Nom)	Luminous Flux (Nom)	(Nom)
454538	6.5MR16/F25/2700-2200 DIM 12V 10/1	25 °	822-827	2200-2700 K	80	410 lm	1800 cd
454546	6.5MR16/F35/2700-2200 DIM 12V 10/1	35 °	822-827	2200-2700 K	80	410 lm	900 cd
470336	6.4MR16/F25/3000 DIM 12V 10/1	25 °	830	3000 K	80	450 lm	1800 cd

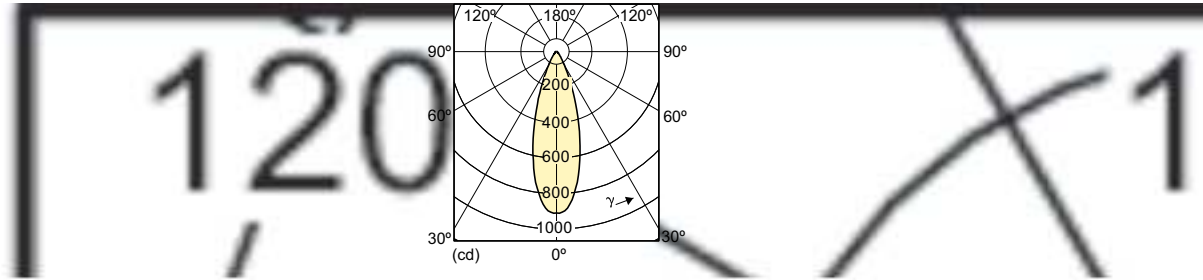
LED MR16

Order Code	Full Product Name	Beam Angle	Correlated Color		Color Rendering		Luminous Intensity
		(Nom)	Color Code	Temperature (Nom)	Index (Nom)	Luminous Flux (Nom)	(Nom)
470344	6.4MR16/F35/3000 DIM 12V 10/1	35 °	830	3000 K	80	450 lm	1000 cd
470229	7MR16 ExpertColor Retail S10 930 10/1	10 °	930	3000 K	90	430 lm	4600 cd
479139	6.5MR16/LED/F25/927/D/EC/12V T20 10/1FB	25 °	927	2700 K	91	485 lm	1960 cd
479147	6.5MR16/LED/F25/930/D/EC/12V T20 10/1FB	25 °	930	3000 K	91	485 lm	1960 cd
479162	6.5MR16/LED/F35/927/D/EC/12V T20 10/1FB	35 °	927	2700 K	91	485 lm	1110 cd
479170	6.5MR16/LED/F35/930/D/EC/12V T20 10/1FB	35 °	930	3000 K	91	485 lm	1110 cd
470138	7.8MR16/PER/927/S10/Dim/EC/12V 10/1FB	10 °	927	2700 K	95	480 lm	5300 cd
470146	7.8MR16/PER/930/S10/Dim/EC/12V 10/1FB	10 °	930	3000 K	95	480 lm	5300 cd
470153	7.8MR16/PER/940/S10/Dim/EC/12V 10/1FB	10 °	940	4000 K	95	540 lm	5900 cd
470161	7.8MR16/PER/927/F25/Dim/EC/12V 10/1FB	25 °	927	2700 K	95	480 lm	2330 cd
470179	7.8MR16/PER/930/F25/Dim/EC/12V 10/1FB	25 °	930	3000 K	95	480 lm	2330 cd
470187	7.8MR16/PER/940/F25/Dim/EC/12V 10/1FB	25 °	940	4000 K	95	540 lm	2600 cd
470195	7.8MR16/PER/927/F35/Dim/EC/12V 10/1FB	35 °	927	2700 K	95	480 lm	1320 cd
470203	7.8MR16/PER/930/F35/Dim/EC/12V 10/1FB	35 °	930	3000 K	95	480 lm	1320 cd
470211	7.8MR16/PER/940/F35/Dim/EC/12V 10/1FB	35 °	940	4000 K	95	540 lm	1450 cd
470245	7MR16 ExpertColor Retail F35 930 10/1	35 °	930	3000 K	90	430 lm	1300 cd
533117	7.3MR16/LED/827/F25/DIM 12V 10/1FB	25 °	827	2700 K	80	515 lm	2400 cd
533125	7.3MR16/LED/830/F25/DIM 12V 10/1FB	25 °	830	3000 K	80	515 lm	2500 cd
533141	7.3MR16/LED/827/F35/DIM 12V 10/1FB	35 °	827	2700 K	80	515 lm	1350 cd
533158	7.3MR16/LED/830/F35/DIM 12V 10/1FB	35 °	830	3000 K	80	515 lm	1350 cd
533182	8.5MR16/LED/827/F35/DIM 12V 10/1FB	35 °	827	2700 K	80	600 lm	1700 cd
533190	8.5MR16/LED/830/F35/DIM 12V 10/1FB	35 °	830	3000 K	80	620 lm	1700 cd
533331	8.5MR16/LED/840/F35/DIM 12V 10/1FB	35 °	841	4000 K	80	660 lm	1800 cd
533513	8.5MR16/LED/827/F25/DIM 12V 10/1FB	25 °	827	2700 K	80	600 lm	3100 cd
533174	8.5MR16/LED/830/F25/DIM 12V 10/1FB	25 °	830	3000 K	80	620 lm	3250 cd
533521	8.5MR16/LED/840/F25/DIM 12V 10/1FB	25 °	841	4000 K	80	660 lm	3350 cd

Temperature

Order Code	Full Product Name	T-Case Maximum (Nom)	Order Code	Full Product Name	T-Case Maximum (Nom)
454538	6.5MR16/F25/2700-2200 DIM 12V 10/1	-	533141	7.3MR16/LED/827/F35/DIM 12V 10/1FB	90 °C
454546	6.5MR16/F35/2700-2200 DIM 12V 10/1	-	533158	7.3MR16/LED/830/F35/DIM 12V 10/1FB	90 °C
470336	6.4MR16/F25/3000 DIM 12V 10/1	100 °C	533182	8.5MR16/LED/827/F35/DIM 12V 10/1FB	100 °C
470344	6.4MR16/F35/3000 DIM 12V 10/1	100 °C	533190	8.5MR16/LED/830/F35/DIM 12V 10/1FB	100 °C
470229	7MR16 ExpertColor Retail S10 930 10/1	90 °C	533331	8.5MR16/LED/840/F35/DIM 12V 10/1FB	100 °C
479139	6.5MR16/LED/F25/927/D/EC/12V T20 10/1FB	92 °C	533513	8.5MR16/LED/827/F25/DIM 12V 10/1FB	100 °C
479147	6.5MR16/LED/F25/930/D/EC/12V T20 10/1FB	92 °C	533174	8.5MR16/LED/830/F25/DIM 12V 10/1FB	100 °C
479162	6.5MR16/LED/F35/927/D/EC/12V T20 10/1FB	92 °C	533521	8.5MR16/LED/840/F25/DIM 12V 10/1FB	100 °C
479170	6.5MR16/LED/F35/930/D/EC/12V T20 10/1FB	92 °C			
470138	7.8MR16/PER/927/S10/Dim/EC/12V 10/1FB	105 °C			
470146	7.8MR16/PER/930/S10/Dim/EC/12V 10/1FB	105 °C			
470153	7.8MR16/PER/940/S10/Dim/EC/12V 10/1FB	105 °C			
470161	7.8MR16/PER/927/F25/Dim/EC/12V 10/1FB	105 °C			
470179	7.8MR16/PER/930/F25/Dim/EC/12V 10/1FB	105 °C			
470187	7.8MR16/PER/940/F25/Dim/EC/12V 10/1FB	105 °C			
470195	7.8MR16/PER/927/F35/Dim/EC/12V 10/1FB	105 °C			
470203	7.8MR16/PER/930/F35/Dim/EC/12V 10/1FB	105 °C			
470211	7.8MR16/PER/940/F35/Dim/EC/12V 10/1FB	105 °C			
470245	7MR16 ExpertColor Retail F35 930 10/1	90 °C			
533117	7.3MR16/LED/827/F25/DIM 12V 10/1FB	90 °C			
533125	7.3MR16/LED/830/F25/DIM 12V 10/1FB	90 °C			

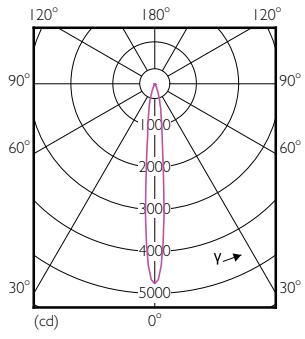
LED MR16



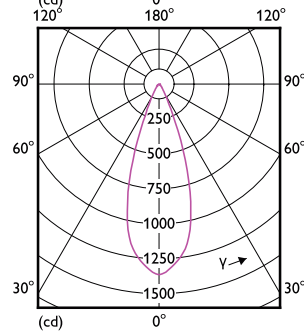
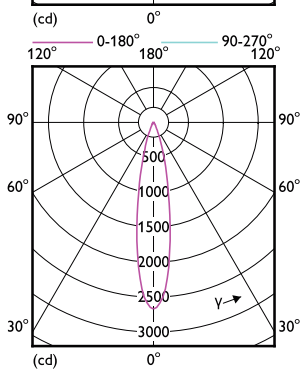
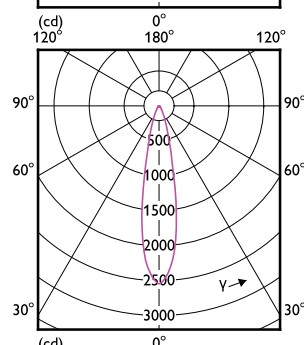
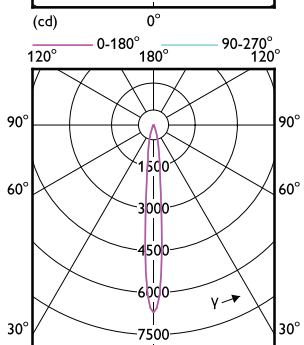
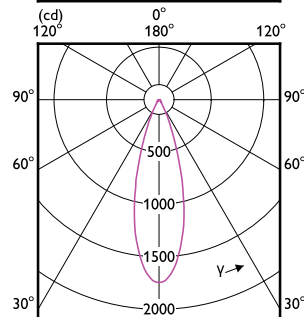
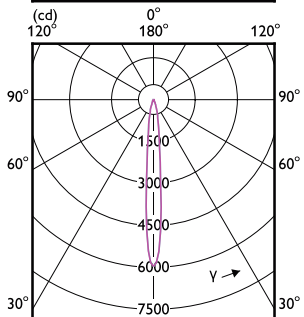
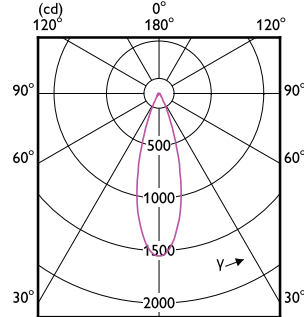
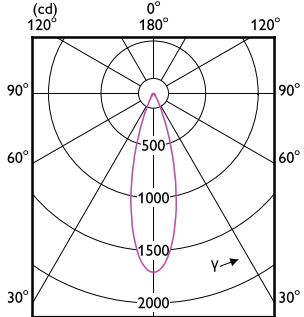
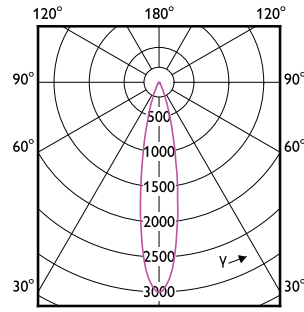
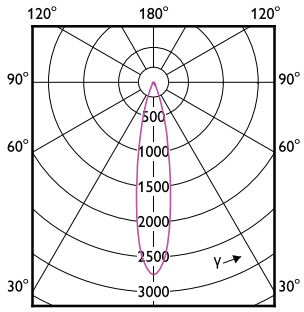
120
/

120
/

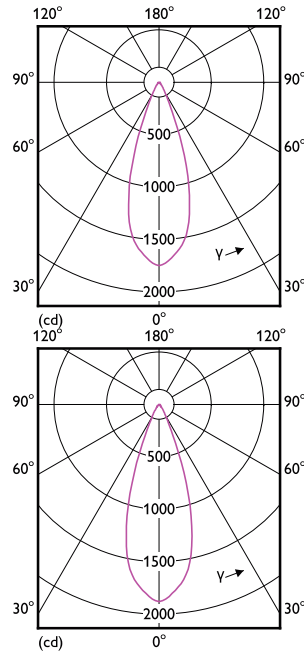
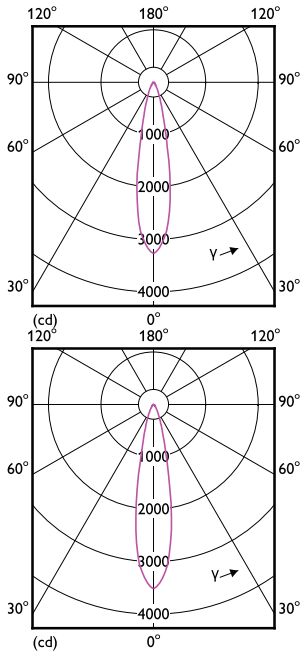
LED MR16



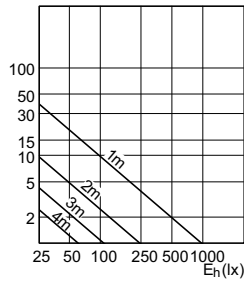
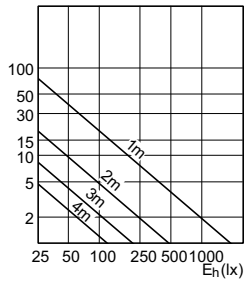
LED MR16



LED MR16



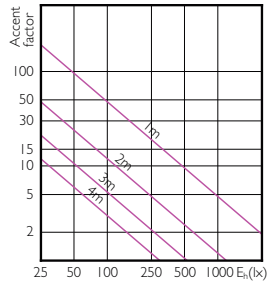
Accent Diagrams



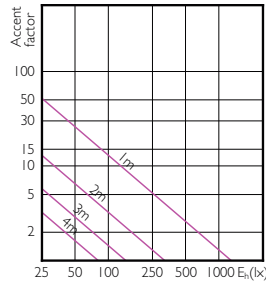
SDAC_LEDspotL_0109-Accent diagram

LED MR16

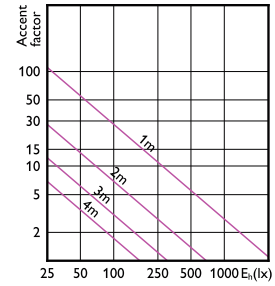
Accent Diagrams



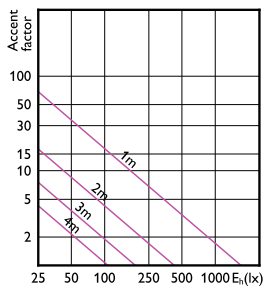
LEDSpots MR16 7W 930 430lm 10D



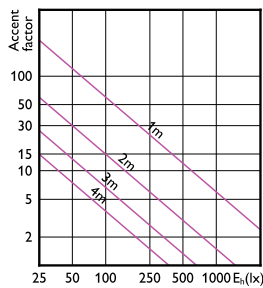
LEDSpots MR16 7W 930 430lm 35D



LEDspot 6.5W GU5.3 MR16 927 25D DIM



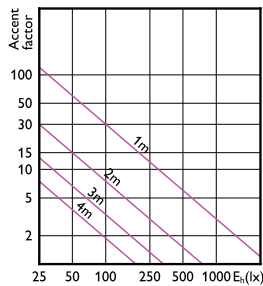
LEDspot 6.5W GU5.3 MR16 927 35D DIM



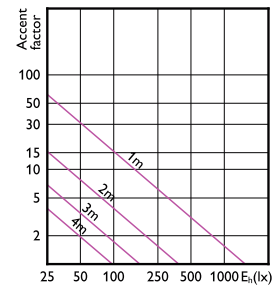
LEDspot 7.8W GU5.3 MR16 927 10D DIM



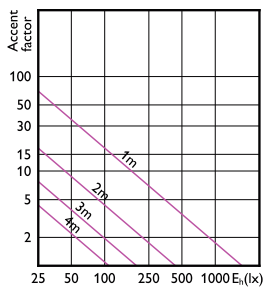
LEDspot 7.8W GU5.3 MR16 940 10D DIM



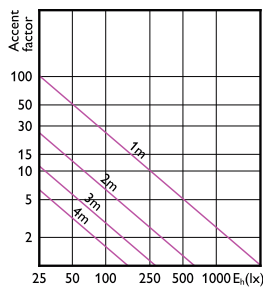
LEDspot 7.8W GU5.3 MR16 940 25D DIM



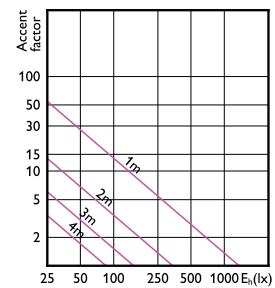
LEDspot 7.8W GU5.3 MR16 927 35D DIM



LEDspot 7.8W GU5.3 MR16 940 35D DIM



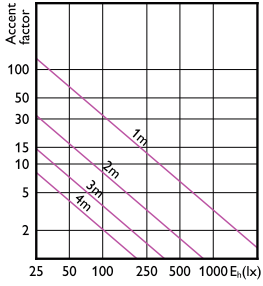
LEDspot 7.3W GU5.3 MR16 827 25D DIM



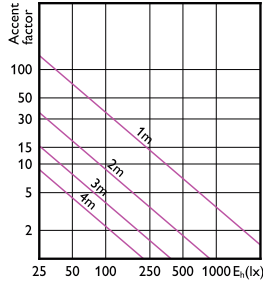
LEDspot 7.3W GU5.3 MR16 827 35D DIM

LED MR16

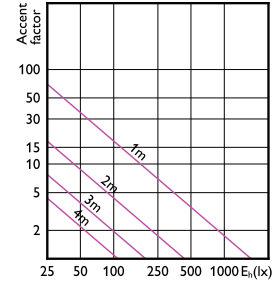
Accent Diagrams



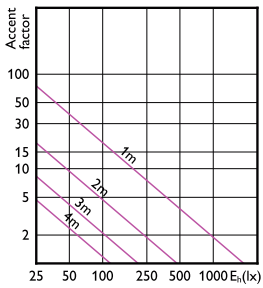
8-50W GU5-3 MR16 24D 827 2700K



LEDspot MAS 8-50W GU5,3 MR16 840 24D DIM

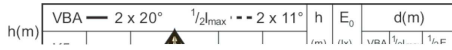


8-50W GU5-3 MR16 36D 827 2700K

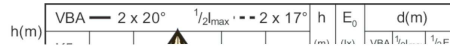


8-50W GU5-3 MR16 36D 840 4000K

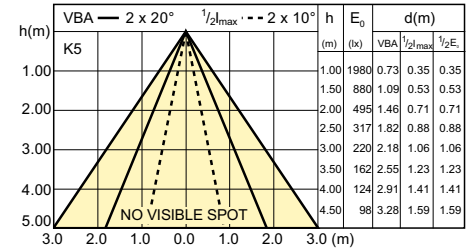
Beam Diagrams



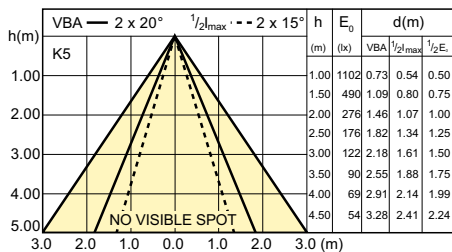
SDBE_LEDspotL_0108-Beam diagram



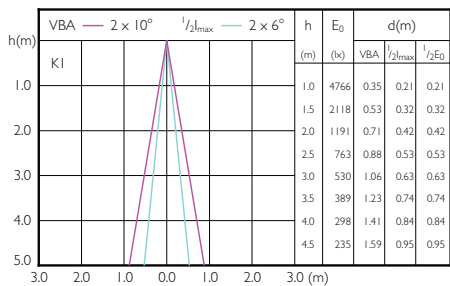
SDBE_LEDspotL_0109-Beam diagram



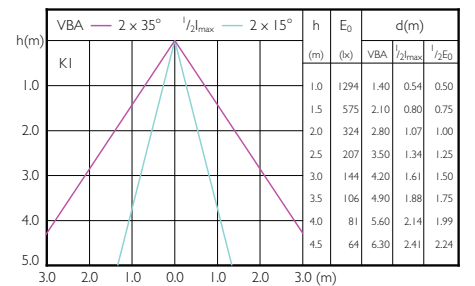
SDBE_LEDspotL_0127-Beam diagram



SDBE_LEDspotL_0130-Beam diagram



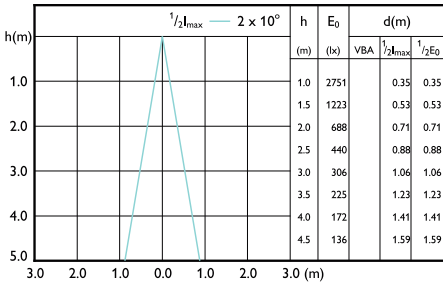
LEDspots MR16 7W 930 430lm 10D



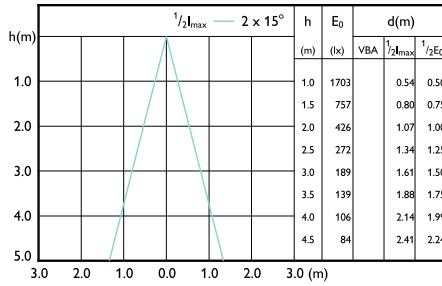
LEDspots MR16 7W 930 430lm 35D

LED MR16

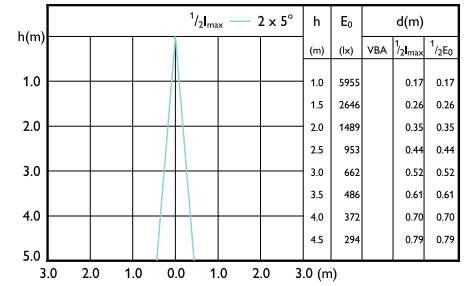
Beam Diagrams



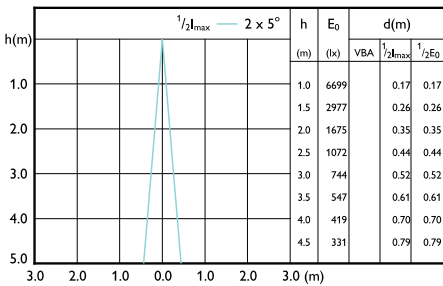
LEDspot 6.5W GU5.3 MR16 927 25D DIM



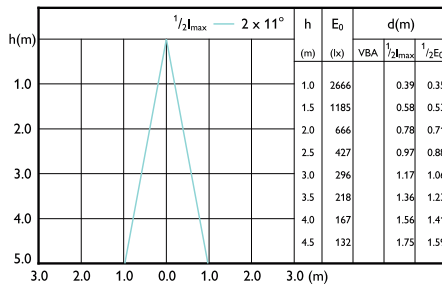
LEDspot 6.5W GU5.3 MR16 927 35D DIM



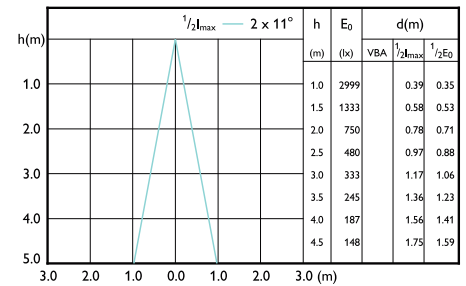
LEDspot 7.8W GU5.3 MR16 927 10D DIM



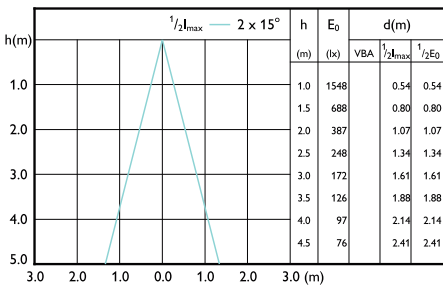
LEDspot 7.8W GU5.3 MR16 940 10D DIM



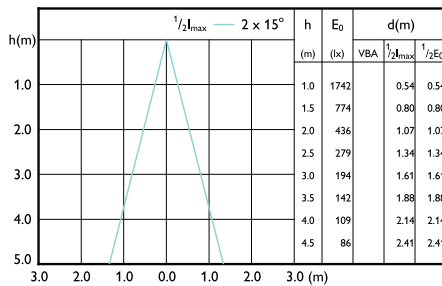
LEDspot 7.8W GU5.3 MR16 927 25D DIM



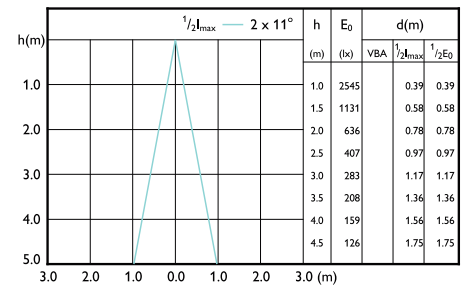
LEDspot 7.8W GU5.3 MR16 940 25D DIM



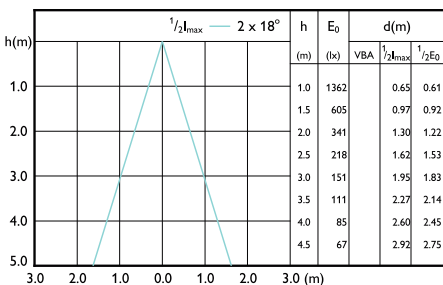
LEDspot 7.8W GU5.3 MR16 927 35D DIM



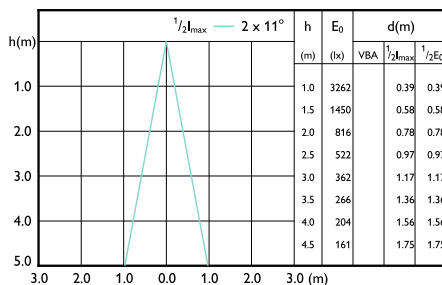
LEDspot 7.8W GU5.3 MR16 940 35D DIM



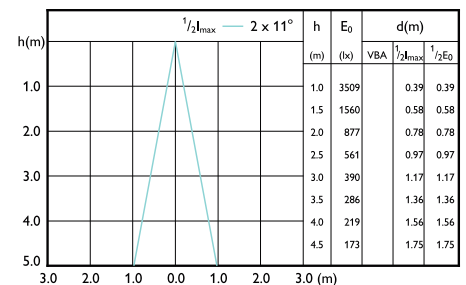
LEDspot 7.3W GU5.3 MR16 827 25D DIM



LEDspot 7.3W GU5.3 MR16 827 35D DIM



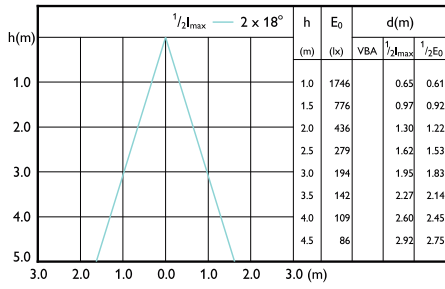
8-50W GU5-3 MR16 24D 827 2700K



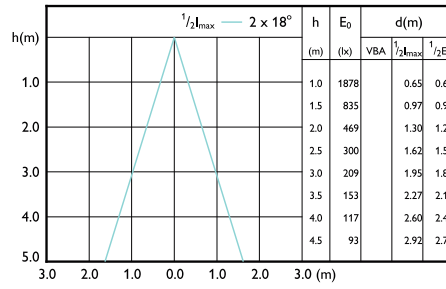
LEDspot MAS 8-50W GU5.3 MR16 840 24D DIM

LED MR16

Beam Diagrams



8-50W GU5-3 MR16 36D 827 2700K



8-50W GU5-3 MR16 36D 840 4000K

