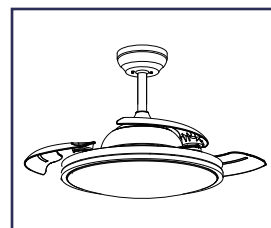


Removability Induction on Disposal at End of Life



Composition Explanation – Fan ceiling

Plastic part	Electrical part	Metal part
Diffuser 	Remote Control PCB 	Cover and Iron Ring <p style="text-align: right;">if have</p>
Blade 	Light Source: PCB 	Hanging Frame
Remote Control Housing 	Driver 	Hanger rod
LED Lens 	Capacitor 	Motor Assembly
Other Rubber Apron Terminal Cap Wire Plug 	Wire 	Spring and Screws

Dismantling

- Steps: refer to disassembly instruction
- Type: without permanent damage

Recommendation on disposal

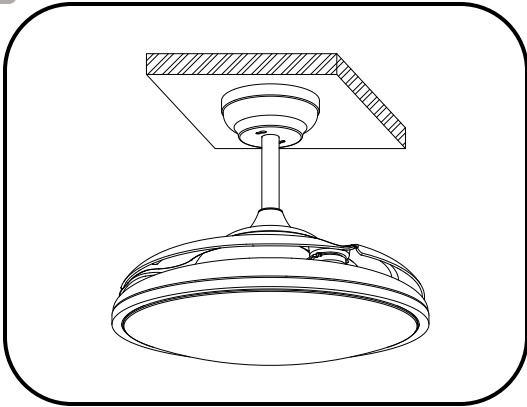
- Plastic part :reuse and recycling
- Electrical part :incineration and disposal
- Metal part :recycling
- Battery part: recycling

Removability Induction on Disposal at End of Life

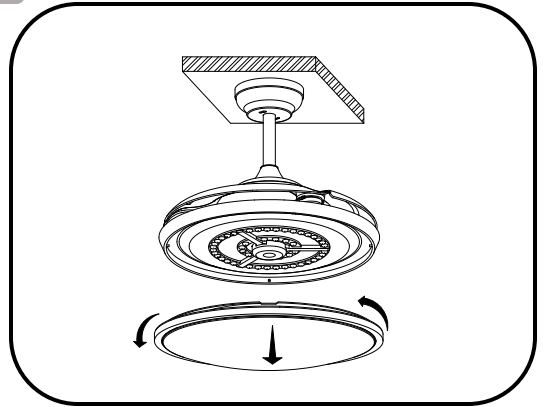


•Composition Explanation –Fan ceiling

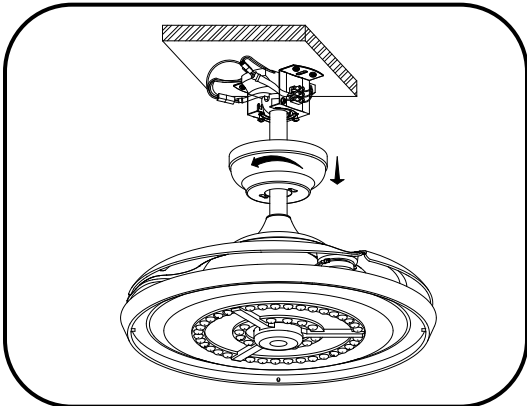
1



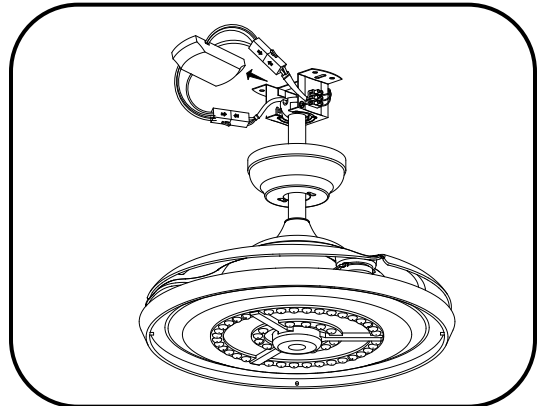
2



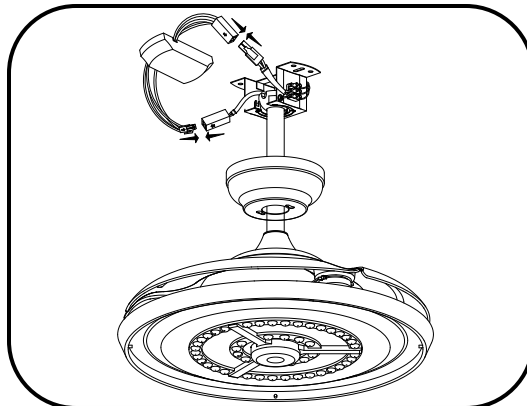
3



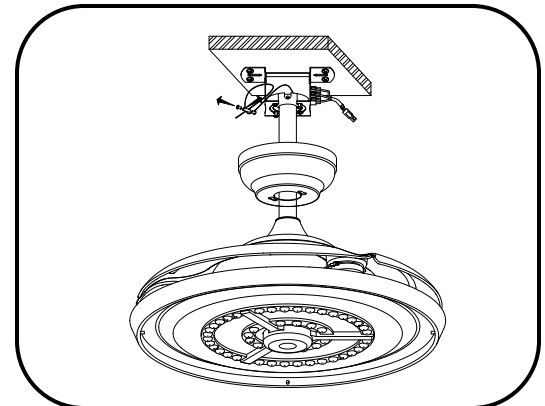
4



5



6

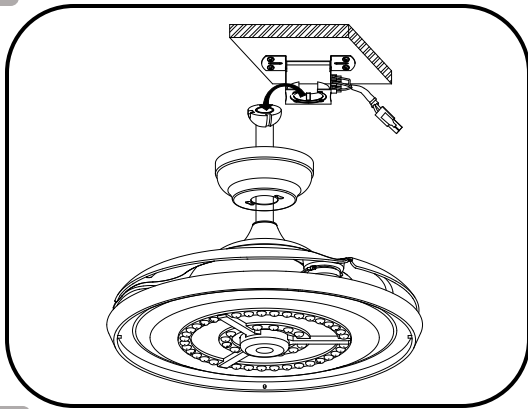


Removability Induction on Disposal at End of Life

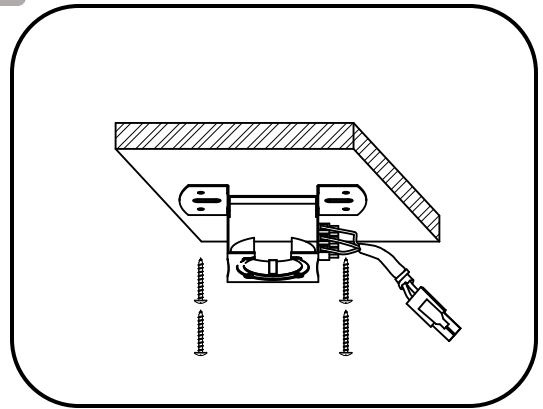
•Composition Explanation –Fan ceiling



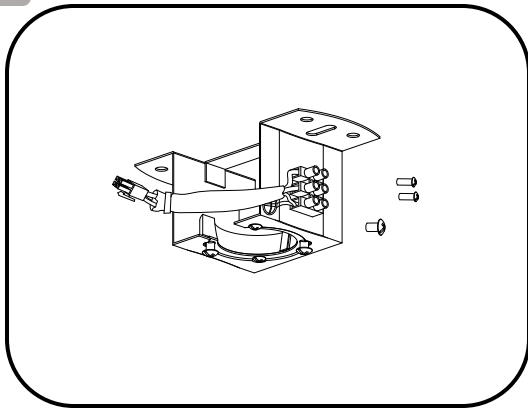
7



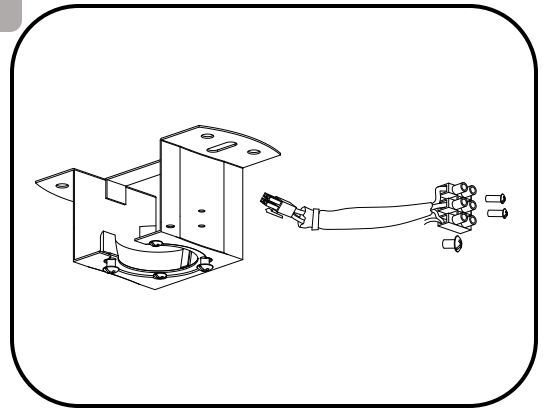
8



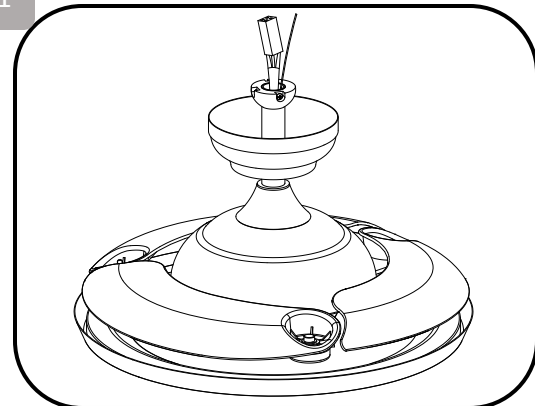
9



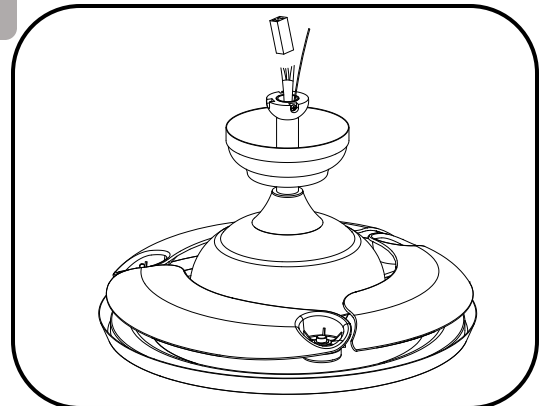
10



11



12

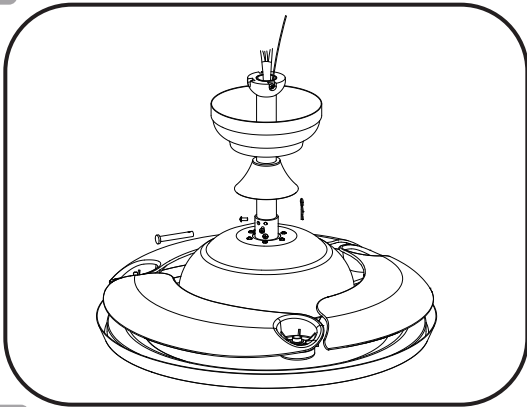


Removability Induction on Disposal at End of Life

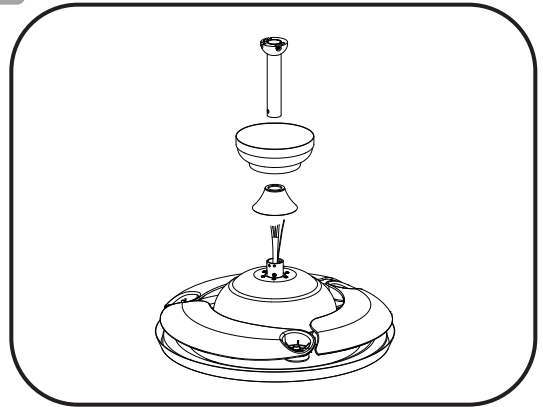
•Composition Explanation –Fan ceiling



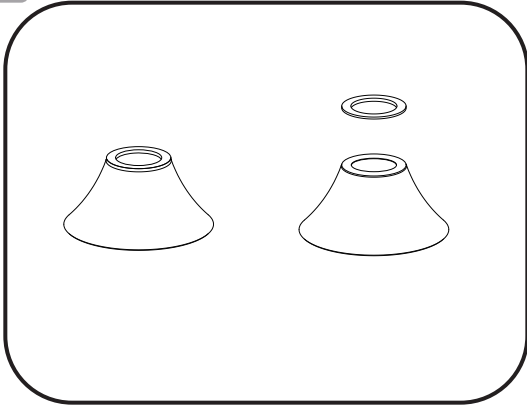
13



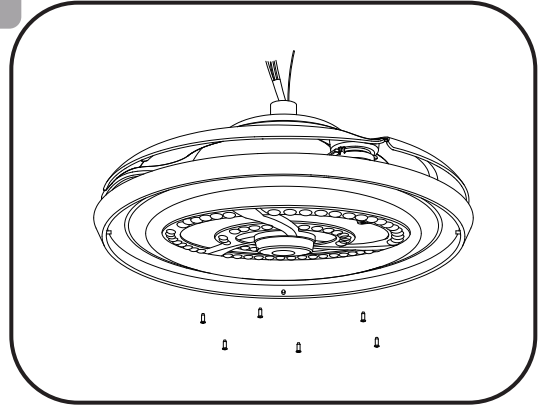
14



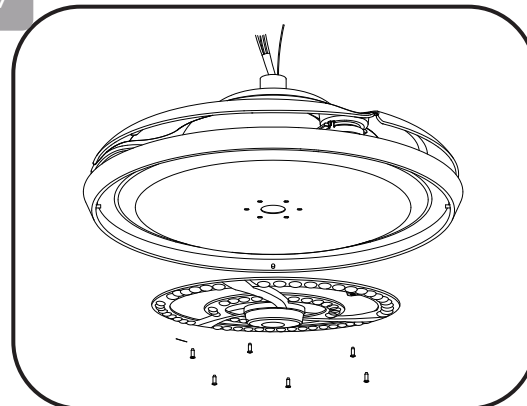
15



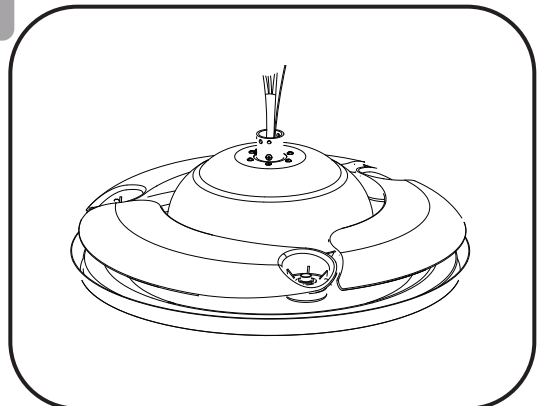
16



17



18

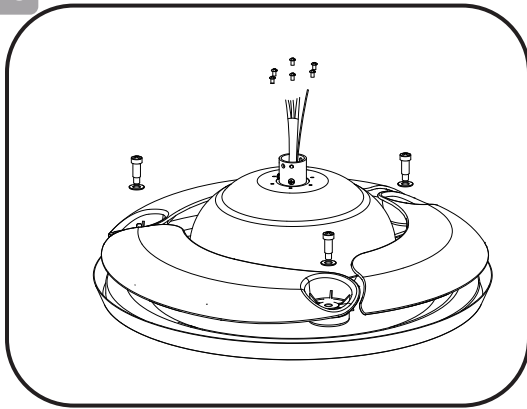


Removability Induction on Disposal at End of Life

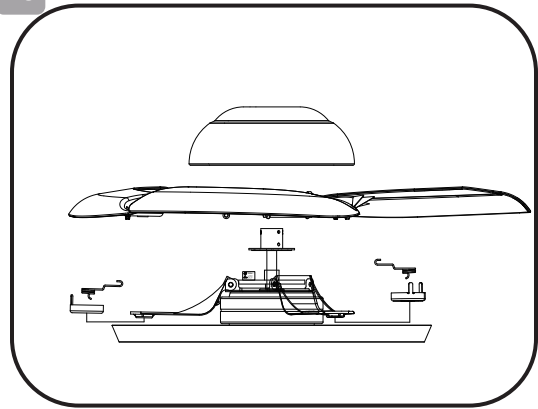
•Composition Explanation –Fan ceiling



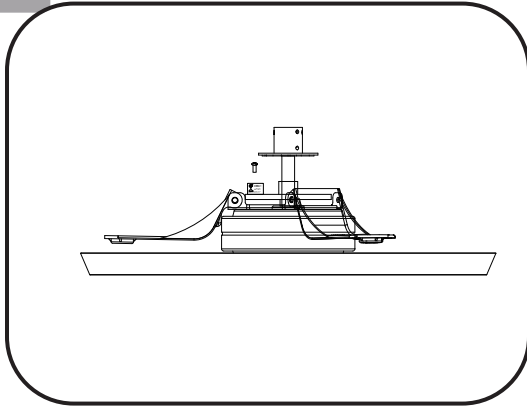
19



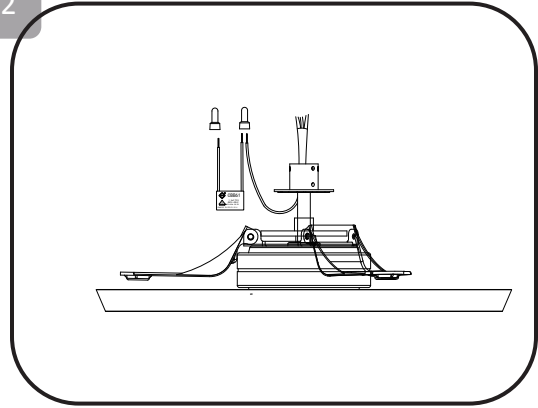
20



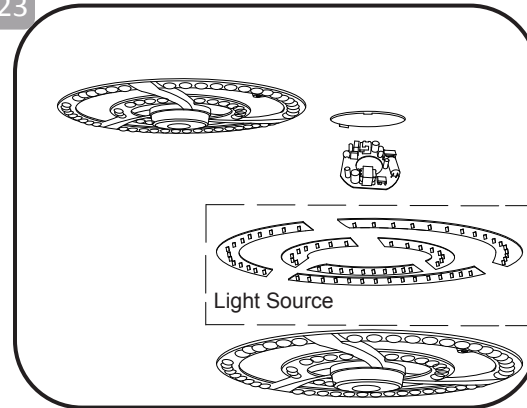
21



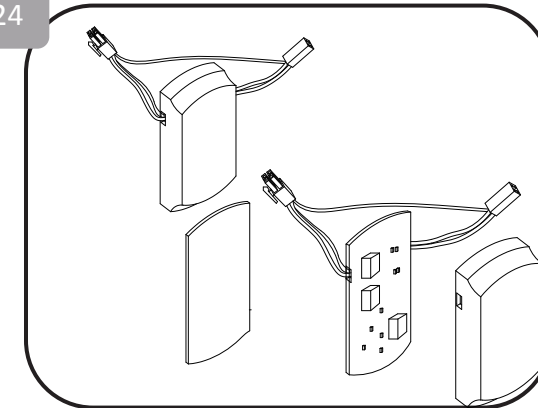
22



23



24

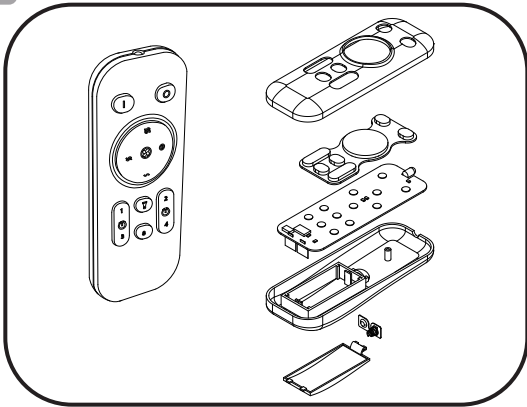


Removability Induction on Disposal at End of Life

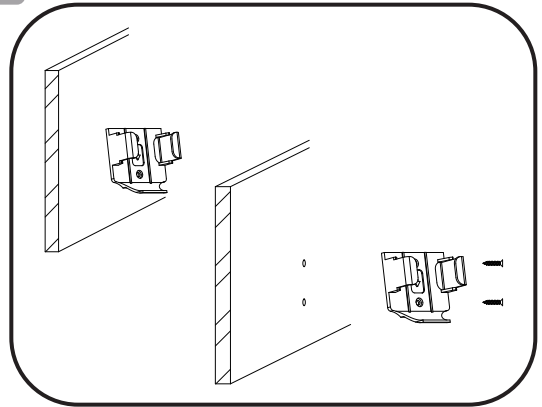
•Composition Explanation –Fan ceiling



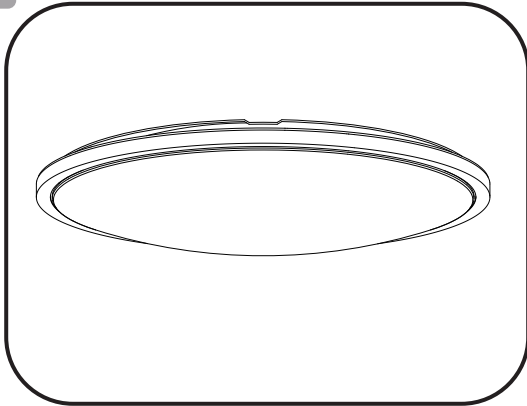
25



26



27



28

