

Coreline Trunking LL120X O

Mounting instructions

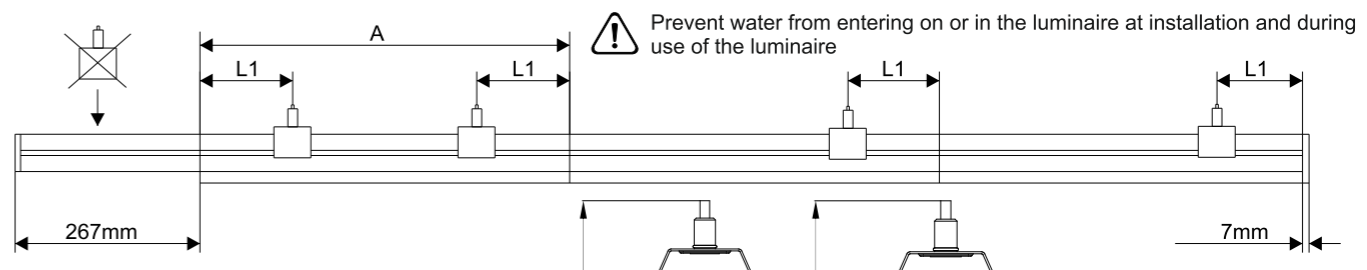
Instructions de montage
 Montageanleitung
 Montage instrukcic
 Istruzioni di montaggio

Instrucciones de montaje
 Instruções de montagem
 Monteringsinstruktioner
 Monteringsvejledning

Kokoonpano- ja kiinnitysohjeet
 Montaj yönergesi
 Szerelési utasítások
 Instrucja montażu

Návod k montáži
 Návod k montáži

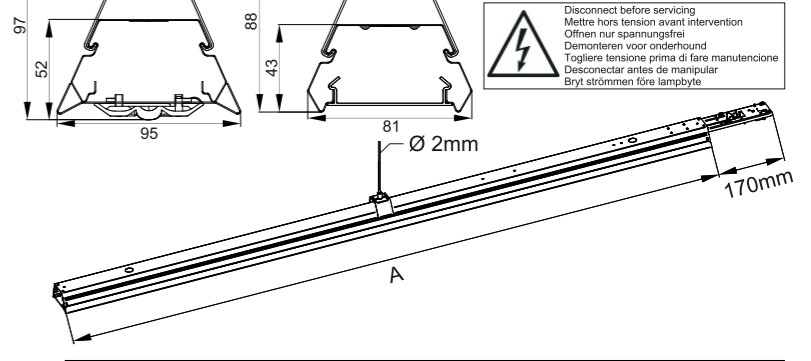
~220V...240V
 50 Hz/60 Hz



LL120Z MB-SW 2xEP CU7 WH

max 2,5 mm²

*Second connector is to supply power in the middle of line or second end.

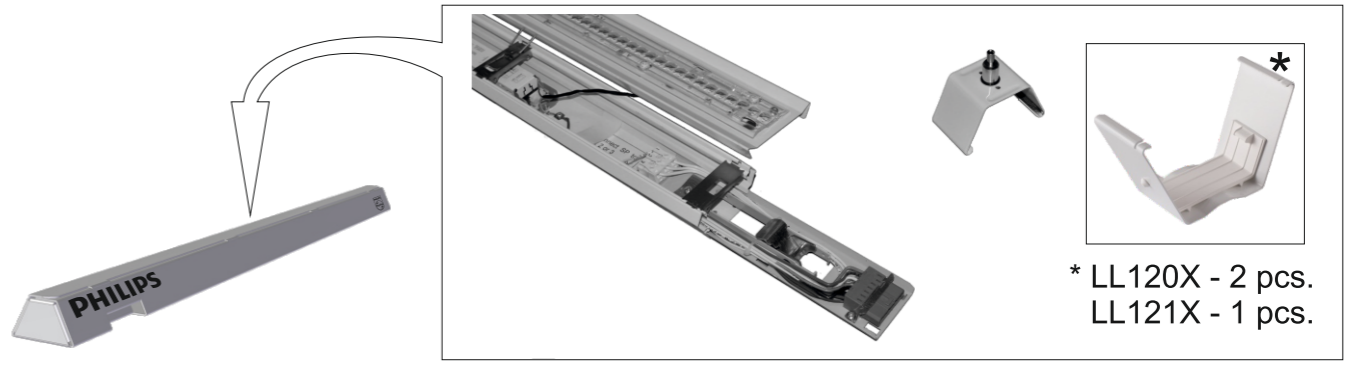


Luminaire type	Max No. of luminaires on MCB (16a type-B)			Inrush Current Peak [A/μs]	
	PSD	PSU	No driver + PSU or PSD	PSD	PSU
LL120X	12	12	15	22/2750	19/280
LL121X	24	24	30		

AWARE! LET SHORTCUT DALI INTERFACE IF NOT USED

$I_{L1max} = I_{L2max} = I_{L3max} = 16A$ (MCB B type)
 Max current load of each phase line in luminaire.

Luminaire type		SYSTEM FLUX	Wattage	Ta	A [m]	L1 [m]	kg max
LL120X O	LED84S/840/865	8400	64	-20°C to +35°C	3,45	0,50 - 0,80	7,5
	LED150S/840/865	15000	108	-20°C to +35°C			
LL121X O	LED42S/840/865	4200	32	-20°C to +35°C	1,73	0,30 - 0,50	4,5
	LED75S/840/865	7500	54	-20°C to +35°C			



4427 102 01154
 © 01/2019 Signify Holding. All rights reserved
 Data subject to change without notice
 Printed in Poland
 www.philips.com/lighting



