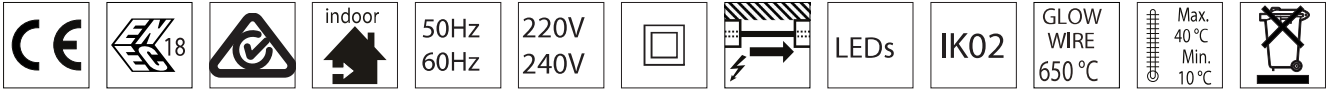
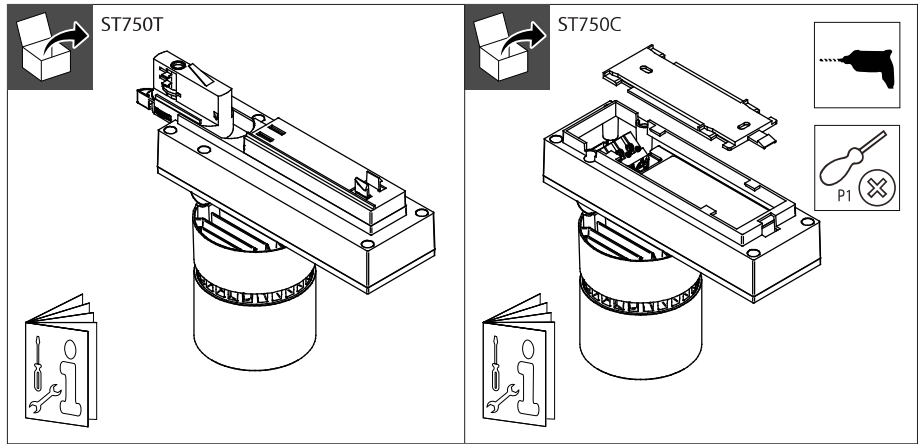


PHILIPS

StyllID
Performance

ST750T/ST750C



| Housing | Lumen package | Color temperature | Driver type | | Product Info Label |
|--|---------------|----------------------------|-------------|-----|--------------------|
| ST750T StyllID Performance Track mounted | LED19S | ROSE | PSU/PSD-VLC | 1,5 | |
| | LED27S | CRW/FMT/ROSE/CH | PSU/PSD-VLC | 1,5 | |
| | LED39S | 827/830/840/930/CRW/FR/PC9 | PSU/PSD-VLC | 1,5 | |
| | LED49S | 827/830/840/930 | PSU/PSD-VLC | 1,5 | |
| ST750C StyllID Performance Surface mounted | LED19S | ROSE | PSU/PSD-VLC | 1,6 | |
| | LED27S | CRW/FMT/ROSE/CH | PSU/PSD-VLC | 1,6 | |
| | LED39S | 827/830/840/930/CRW/FR/PC9 | PSU/PSD-VLC | 1,6 | |
| | LED49S | 827/830/840/930 | PSU/PSD-VLC | 1,6 | |

Main dimensions

ST750C
Surface mounted

ST750T - 3C track

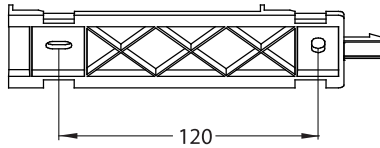
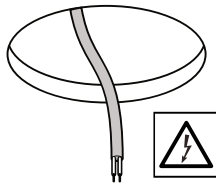
ST750T - DALI PULSE Track

LUMINAIRES MUST BE INSTALLED OUT OF ARM REACH DISTANCE/HEIGHT! THE SPOT HEAD CAN BE PERCEIVED AS HOT. ADJUST THE SPOTHEAD AFTER THE LUMINAIRE IS COOLED DOWN OR WHEN USING HEAT INSULATING GLOVES. LUMINAIRE CAN NOT BE OPENED, LIGHTSOURCE CAN NOT BE REPLACED!

| Housing | Adapter type | Driver type | A(mm) | B(mm) | C(mm) | D(mm) | E(mm) |
|---------|----------------------------------|-------------|-------|-------|-------|-------|-------|
| ST750C | Surface mounted | PSU/PSD-VLC | 252 | 119 | 94 | 145 | 231 |
| ST750T | GLOBAL 3C Track - GA69 | PSU | 292 | 119 | 94 | 145 | 220 |
| | GLOBAL Pulse Dali Track - GAC600 | PSD-VLC | 322 | 119 | 94 | 145 | 251 |



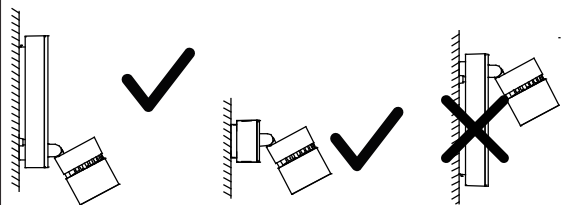
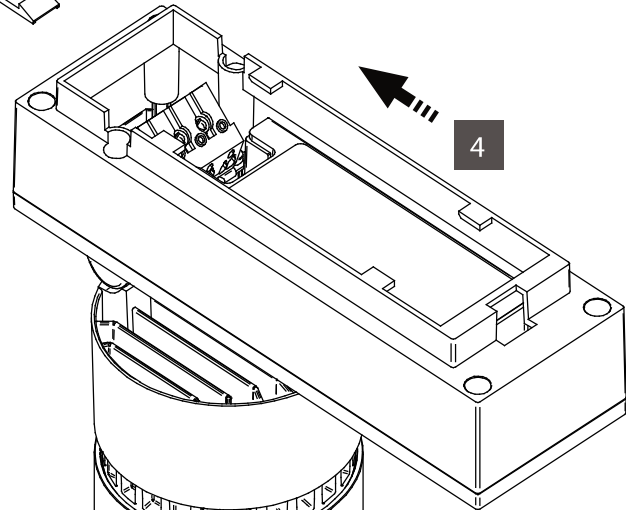
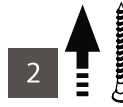
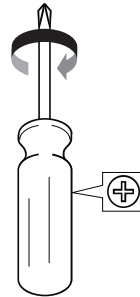
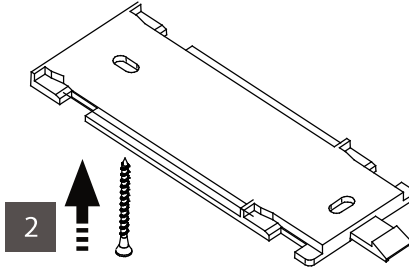
ST750C installation



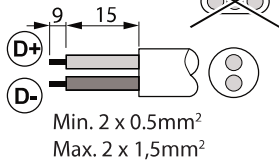
ø maximum 5mm



1

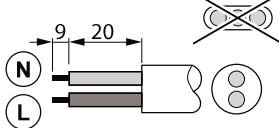


DALI control cable:

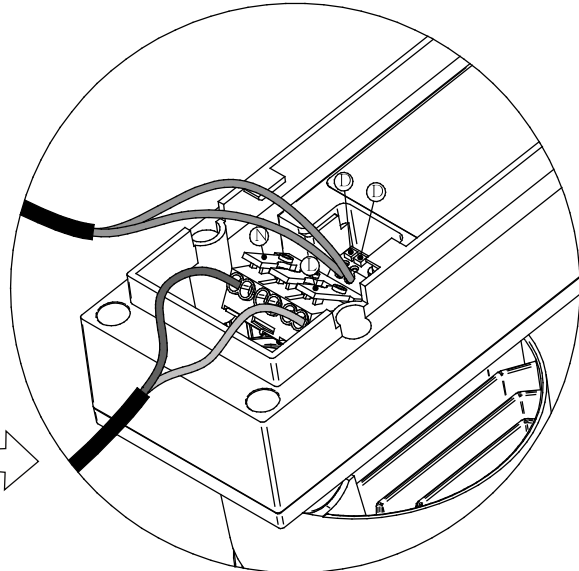


Min. 2 x 0,5mm²
Max. 2 x 1,5mm²

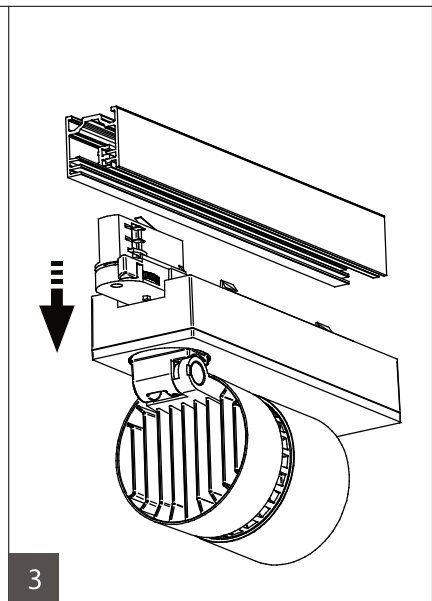
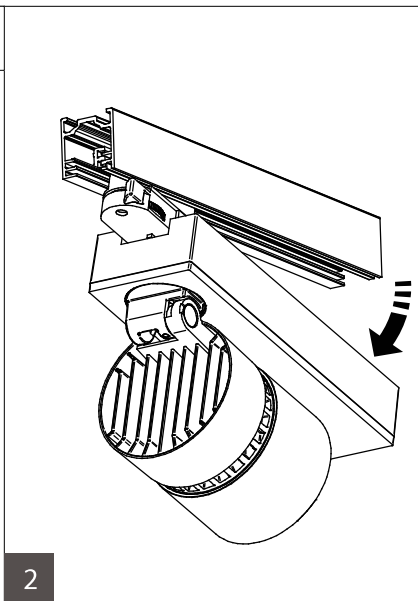
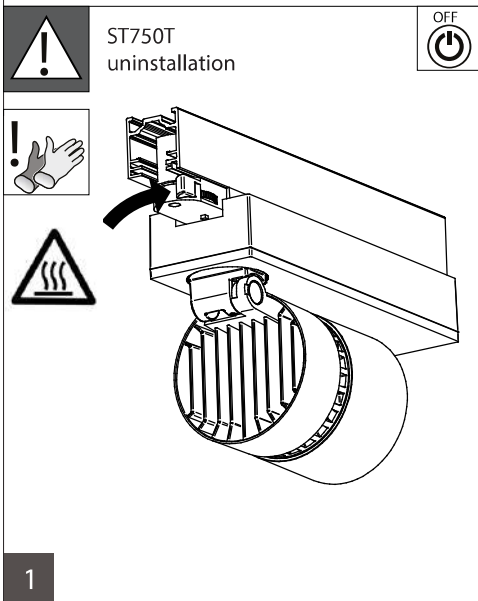
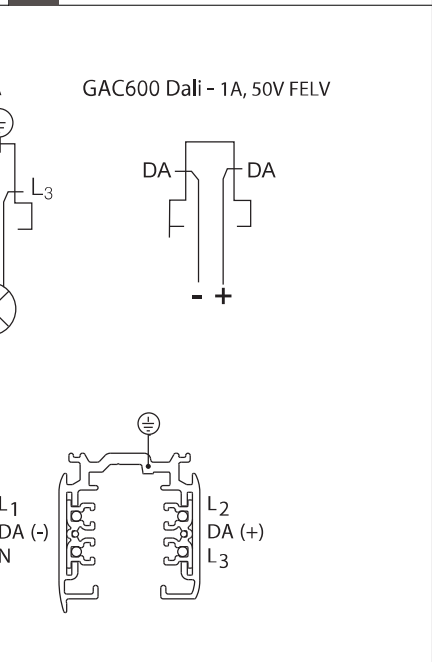
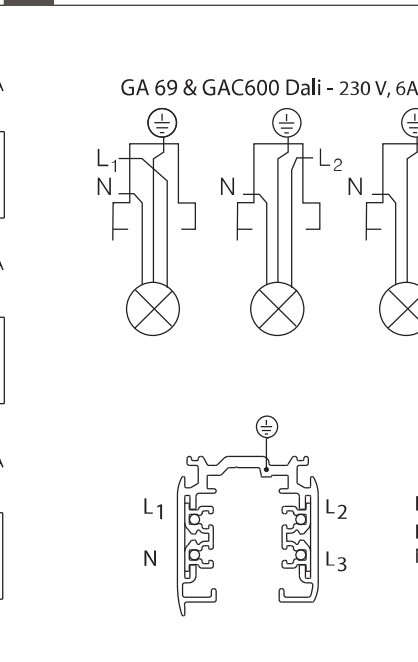
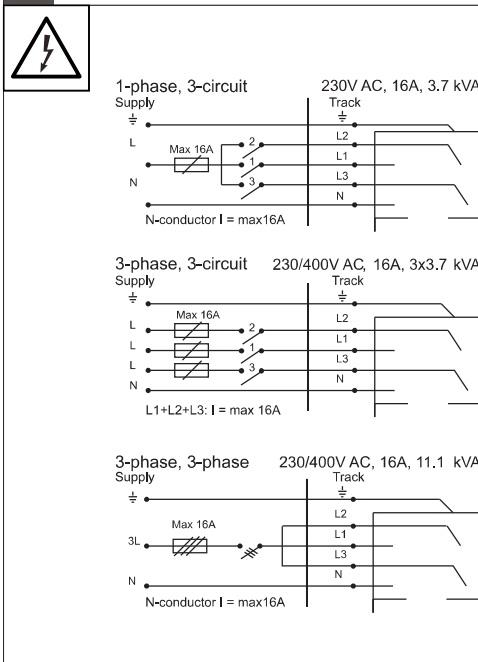
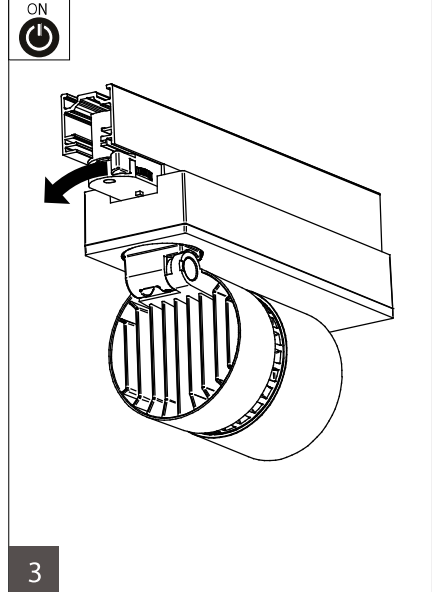
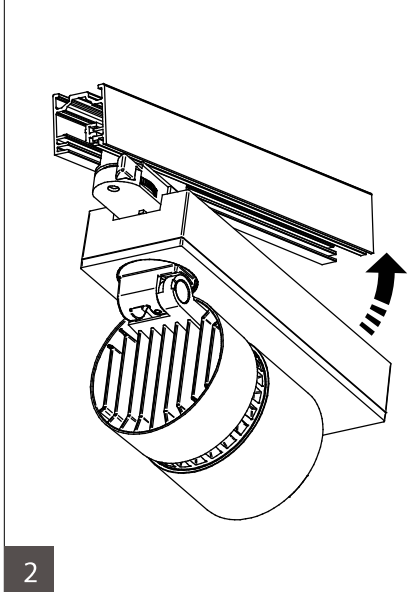
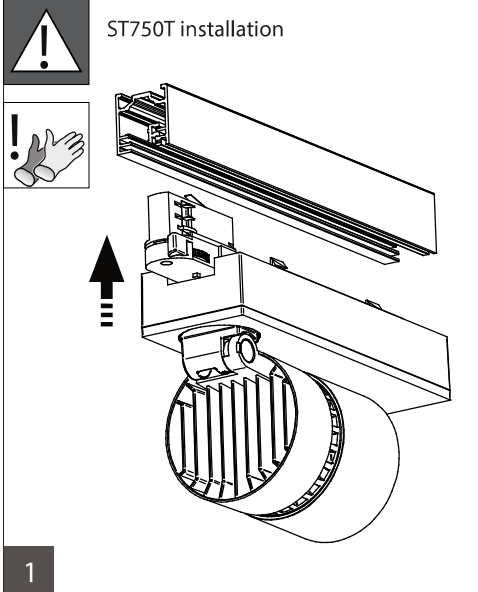
Mains cable (~220-240V):

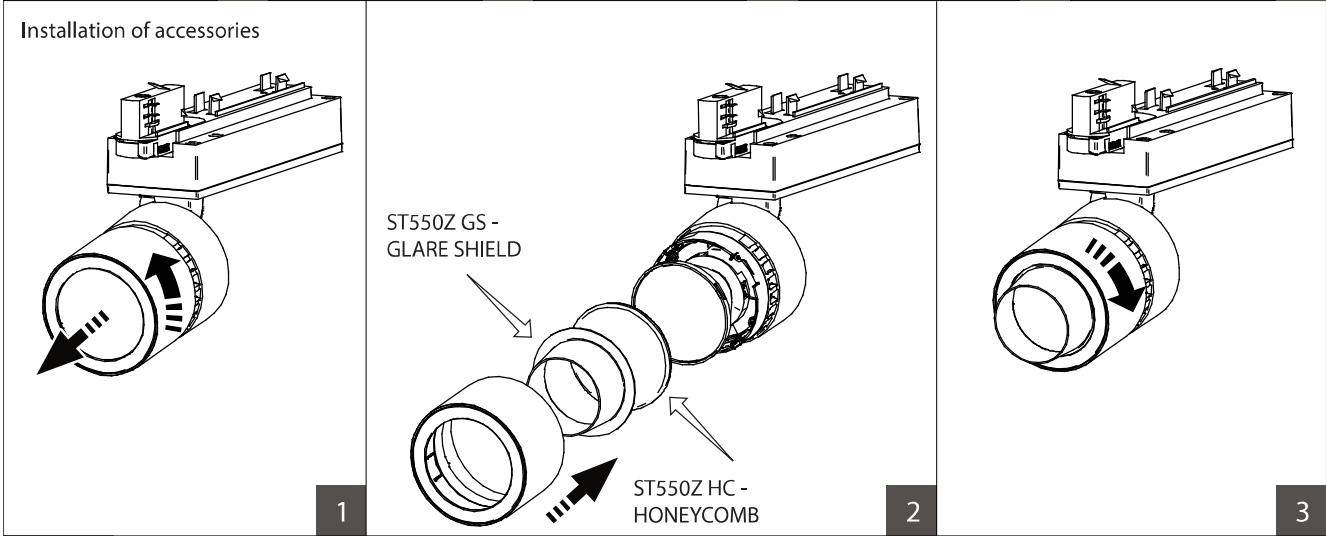
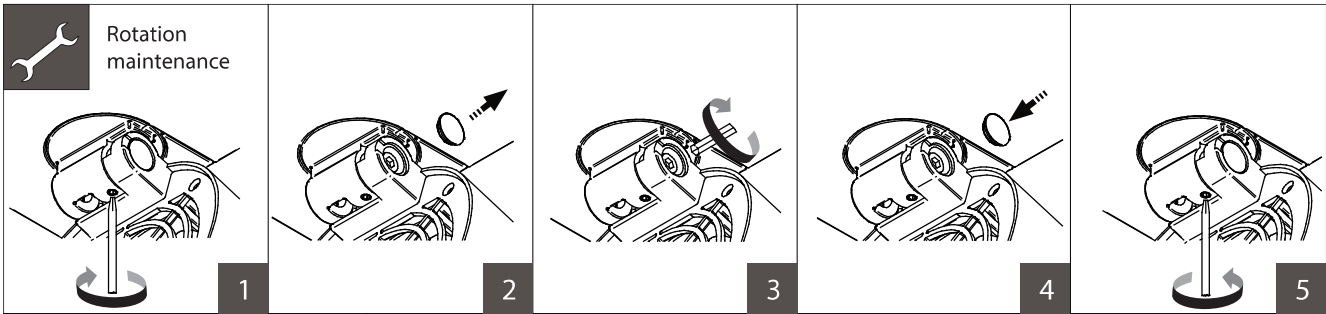


Min. 2 x 0,5mm²
Max. 2 x 1,5mm²



3





| Xitanium 50W/m 0,5-1,5A 48V 230V (PSU) | | |
|--|----------------------|-----------------------|
| Lum. Pack | CCT | I _{nom.} (A) |
| LED27S | FMT | 0,173 |
| LED27S | CRW | 0,191 |
| LED39S (NB) | 930 | 0,212 |
| LED39S (MB, WB, VWB) | 930/PC9 | 0,148 |
| LED39S (MB, WB, VWB) | CRW | 0,215 |
| LED49S | 827/830/840 | 0,164 |
| LED49S | 930 | 0,206 |
| I _{max.} (A) | 18 | |
| T _{ref.} (us) | 250 | |
| MCB | Max. Products (pcs)* | |
| B-16A | 30 | |

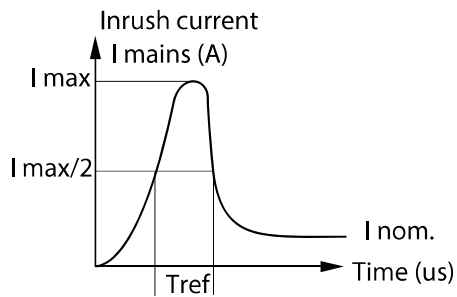
| Xitanium 36W/m 0,3-1,05A 48V 230V (PSU) | | |
|---|----------------------|-----------------------|
| Lum. Pack | CCT | I _{nom.} (A) |
| LED19S | ROSE | 0,092 |
| LED27S | ROSE | 0,129 |
| LED39S (NB) | 827/830/840 | 0,157 |
| I _{max.} (A) | 18 | |
| T _{ref.} (us) | 250 | |
| MCB | Max. Products (pcs)* | |
| B-16A | 34 | |

| Xitanium 28W/m 0,6A 46V SC 230V (PSU) | | |
|---------------------------------------|----------------------|-----------------------|
| Lum. Pack | CCT | I _{nom.} (A) |
| LED27S | CH | 0,093 |
| I _{max.} (A) | 6,1 | |
| T _{ref.} (us) | 310 | |
| MCB | Max. Products (pcs)* | |
| B-16A | 34 | |

| Xitanium 34W/m 0,8A 42V SC 230V (PSU) | | |
|---------------------------------------|----------------------|-----------------------|
| Lum. Pack | CCT | I _{nom.} (A) |
| LED39S (MB, WB, VWB) | 827/830/840/FR | 0,124 |
| I _{max.} (A) | 11 | |
| T _{ref.} (us) | 306 | |
| MCB | Max. Products (pcs)* | |
| B-16A | 34 | |

| XITANIUM 50W WH 0,7-1,5A 54V TD/IS CL (PSD-VLC) | | |
|---|----------------------|-----------------------|
| Lum. Pack | CCT | I _{nom.} (A) |
| LED27S | FMT | 0,173 |
| LED27S | CRW | 0,191 |
| LED39S (NB) | 930 | 0,212 |
| LED39S (MB, WB, VWB) | 930/PC9 | 0,148 |
| LED39S (MB, WB, VWB) | CRW | 0,215 |
| LED49S | 827/830/840 | 0,164 |
| LED49S | 930 | 0,206 |
| I _{max.} (A) | 24,9 | |
| T _{ref.} (us) | 186 | |
| MCB | Max. Products (pcs)* | |
| B-16A | 27 | |

| XITANIUM 36W WH 0,3-1A 54V TD/IS CL (PSD-VLC) | | |
|---|----------------------|-----------------------|
| Lum. Pack | CCT | I _{nom.} (A) |
| LED19S | ROSE | 0,092 |
| LED27S | ROSE | 0,129 |
| LED27S | CH | 0,093 |
| LED39S (NB) | 827/830/840 | 0,157 |
| LED39S (MB, WB, VWB) | 827/830/840/FR | 0,124 |
| I _{max.} (A) | 20,4 | |
| T _{ref.} (us) | 195 | |
| MCB | Max. Products (pcs)* | |
| B-16A | 24 | |



*According to:
IEC60555 test conditions