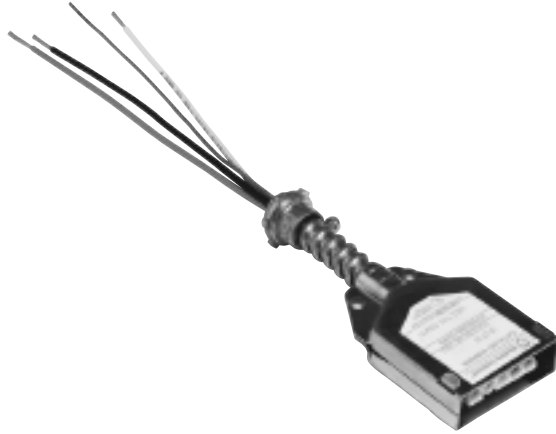


# LIGHTING DISTRIBUTION CABLE



**SAMPLE CATALOG NUMBER: LD-27-1E-09**

<b>LD</b>	
<u>DESIGNATOR</u>	<u>WIRING CONFIGURATION</u>
<b>LD</b> – Lighting Distribution Cable	<b>1E</b> – 1 circuit <b>2E</b> – 2 circuit <b>3E</b> – 3 circuit <b>NE</b> – 2 circuit, 2 neutral
	<u>VOLTAGE</u>
	<b>12</b> – 120v <b>20</b> – 208v* <b>24</b> – 240v* <b>27</b> – 277v <b>34</b> – 347v <b>48</b> – 480v*
	<u>LENGTH</u>
	<b>Blank</b> – 3 inches <b>09</b> – 9' <b>15</b> – 15' <b>20</b> – 20'

\*Consult factory for these applications.

## APPLICATION

- The LD cable is the starting point for the Electro/Connect wiring system and distributes branch lighting circuits from a junction box.
- For optional (LI) Lighting Interface Plate, refer to sheet number ECC1060.

## ELECTRICAL

- UL/cUL listed.

## CONSTRUCTION

- Pre-wired with female (power-out) connector, opposite end has 6" leads and 1/2" K.O. connector for mounting to a junction box in a standard 1/2" (7/8" diameter) knockout.
- Internal wires are #12 AWG THHN stranded copper, 600 volt, plus a bare #12 AWG solid tinned copper ground conductor.
- Cable head is 18 gauge steel, zinc plated.
- Single circuit, two circuit, and three circuit cable sets are available.

**Job Name:**

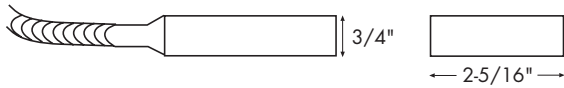
Catalog Number:

Type:

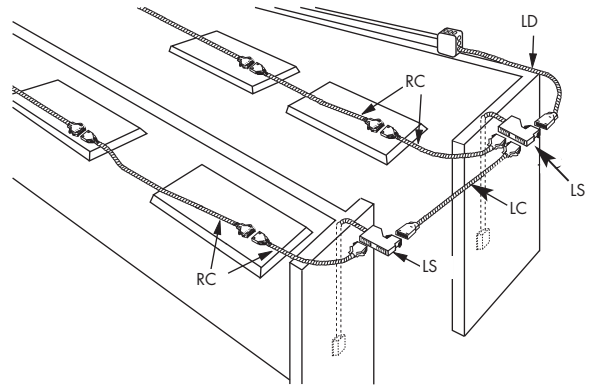
Notes:

**ecc1015**

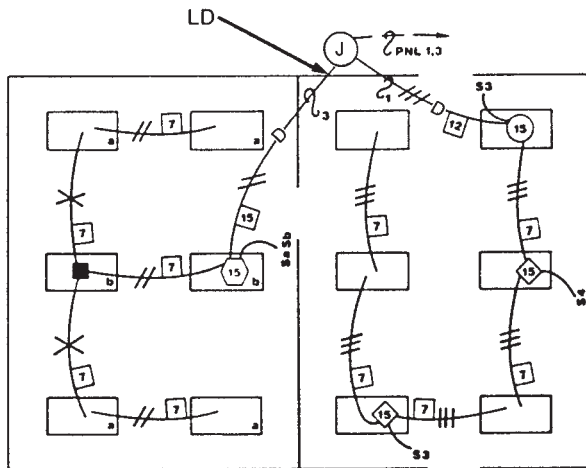
**DIMENSIONS**



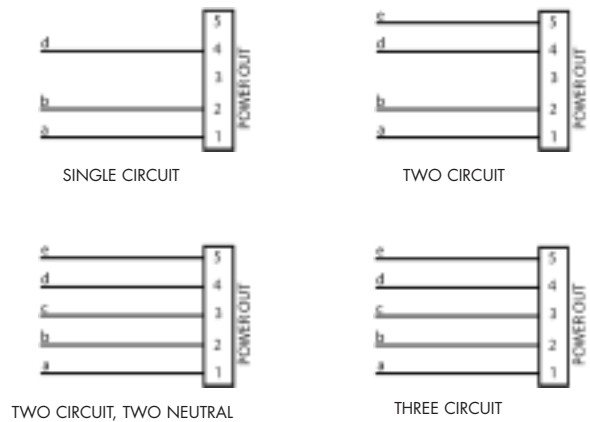
**APPLICATION**



**WIRING**



**WIRING DIAGRAM**



WIRING COLOR LEGEND		
	120V	277V
a	black	orange
b	white	white
c	blue*	yellow
d	ground	ground
e	red	brown

**\*Exception:** In Two Circuit, Two Neutral Application, wire C will be grey or white with a black stripe.