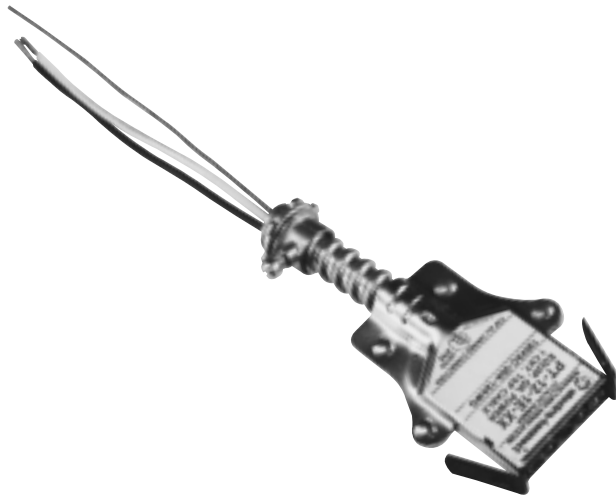


**POWER TAP**



**SAMPLE CATALOG NUMBER: PT-12-1E-10**

<b>PT</b>	<b>12</b>		
<u>DESIGNATOR</u> PT – Power Tap	<u>WIRING CONFIGURATION</u>		
	<b>1E</b> – 1 circuit equipment ground <b>2E</b> – 2 circuit equipment ground <b>3E</b> – 3 circuit equipment ground <b>1I</b> – 1 circuit isolated ground <b>2I</b> – 2 circuit isolated ground <b>NE</b> – 2 circuit/2 neutral		
	<u>VOLTAGE</u> <b>12</b> – 120v	<u>LENGTH</u>	
		<b>10</b> – 10' <b>15</b> – 15' <b>20</b> – 20'	

**APPLICATION**

- Pre-fabrication tap cables replace conventional conduit and wire between the junction box housing a receptacle and the power circuit distribution.

**ELECTRICAL**

- UL/cUL listed.

**CONSTRUCTION**

- Pre-wired with male (power-in)connector with 6" leads opposite end with 1/2" K.O. connector for mounting to a junction box by snapping into a standard 1/2" (7/8" diameter) knockout.
- Internal wires are #12 AWG THHN copper, 600 volt, plus a bare #12 AWG solid tinned copper ground conductor.
- Cable head is 18 gauge steel, zinc plated.
- Spring steel latches are on the male (power-in) cable head.
- Single circuit, two circuit and three circuit cable sets are available.

**Job Name:**

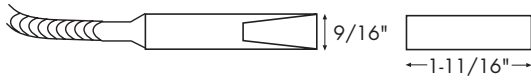
Catalog Number:

Type:

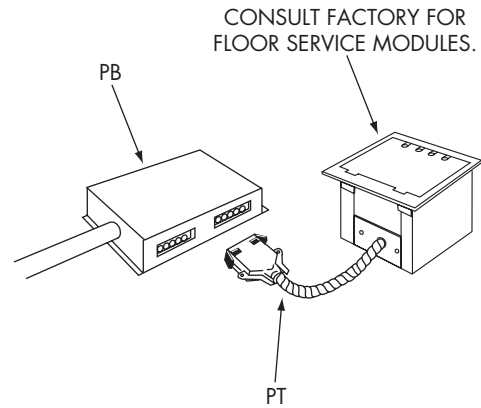
Notes:

**ecp5025**

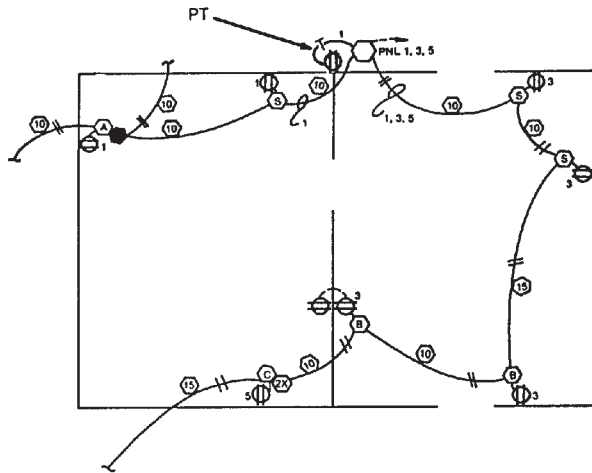
**DIMENSIONS**



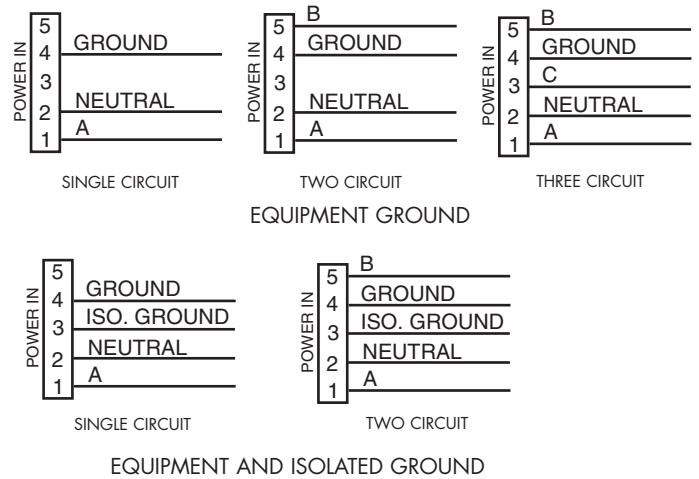
**APPLICATION**



**WIRING**



**WIRING DIAGRAM**



**Color Legend**

A	Black
B	Red
C	*Blue
G	Green
N	White

**\*Exception:** In Two Circuit, Two Neutral Application (not shown), wire C will be grey or white with a black stripe.