

Project: \_\_\_\_\_

Location: \_\_\_\_\_

Cat.No: \_\_\_\_\_

Type: \_\_\_\_\_

Lamps: \_\_\_\_\_ Qty: \_\_\_\_\_

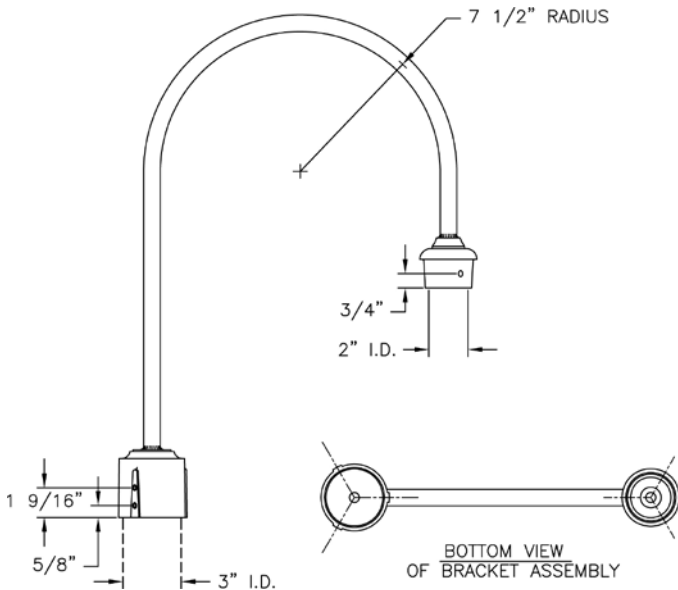
Notes: \_\_\_\_\_

### Ordering Guide

Example: 254 ABS 50H E

Product Code	254	Bracket Arm	
<b>Finish</b>	ABS	Antique Brass	
	ACP	Antique Copper	
	ARD	Antique Red	
	ASI	Antique Silver	
	BLK	Black	
	BRN	Brown	
	BRZ	Bronze	
	FGN	Forest Green	
	GRA	Granite	
	IRN	Ironstone	
	RBZ	Rustic Bronze	
	SRT	Shadow Rust	
	VBZ	Verde Bronze	
	VCP	Verde Copper	
	VGN	Verde	
	VTC	Vintage Copper	
	WBZ	Weathered Bronze	
	WHT	White	
<b>Wattage/Source</b>	50H	50W MH	*1
	35S	35W HPS	*1
	50S	50W HPS	*1
	70S	70W HPS	
	60I	60W INC.	*1
<b>Voltage</b>	E	120V	
	F	208V	
	G	240V	
	H	277V	

\*1 (E) 120V option only



### Specifications

#### CONSTRUCTION:

Cast aluminum 2" I.D. splicing fitter. 1/2 Schedule 40 aluminum pipe welded to 2" splicing fitter and ballast housing. Two-piece cast aluminum cover plate. Cast aluminum ballast housing.

#### FINISH:

Resilient TGIC thermoset polyester powdercoat paint is electrostatically applied to every fixture. Specially formulated for Philips Outdoor Lighting, it provides UV protection, and the highest temperature rating in the industry. In addition to the standard color choices shown, a spectrum of custom colors is available.

#### BALLAST:

Ballast is factory installed, pre-wired, and tested. (Customer must specify wattage and voltage.)

#### MOUNTING:

Mounting Hardware is supplied. See template for dimensions & mounting instructions.

#### WARRANTY:

Three-year limited warranty.

# 254 Bracket arm

## Arm bracket

### Specifications

---

**Height:**

30 3/4"

**Width:**

4 7/8"

**Projection:**

18 5/8"

**Max. Weight:**

