

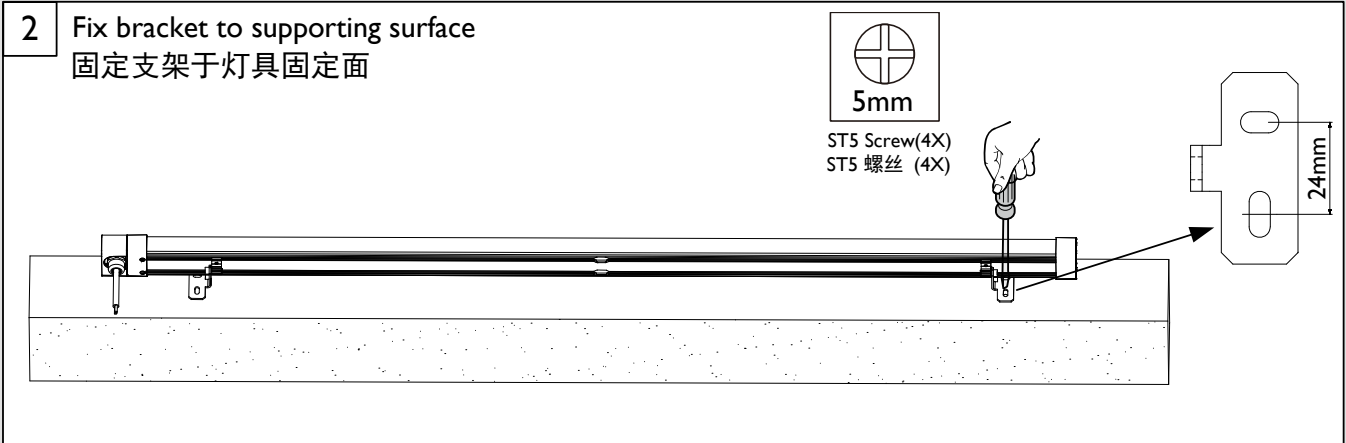
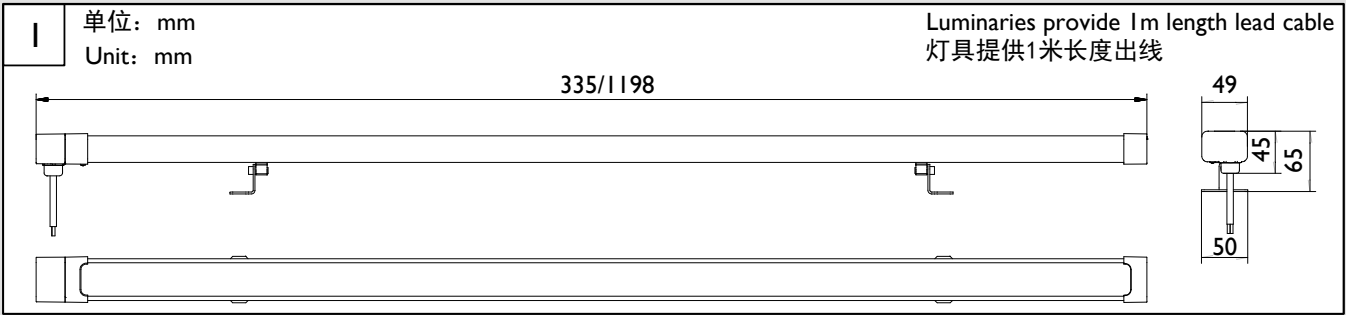
BCP280 G3

Mounting instruction/ 安装说明

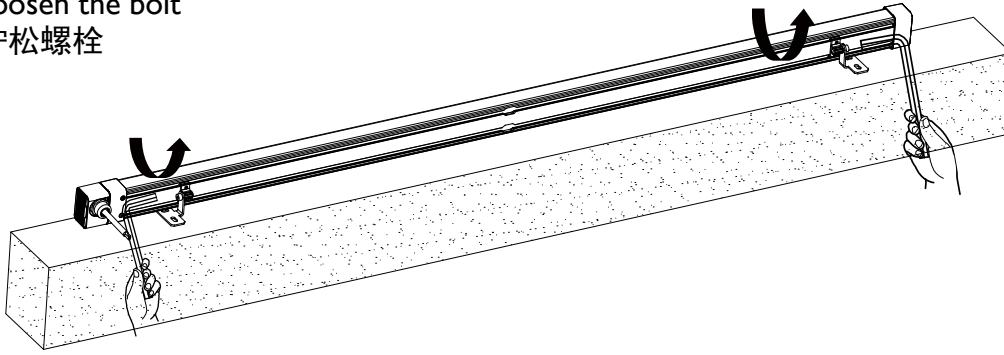
444100006461

IEC 60598	GB 7000		ta 35°	IP66	IK06	24V DC	
---------------------	-------------------	--	------------------	-------------	-------------	-------------------------	--

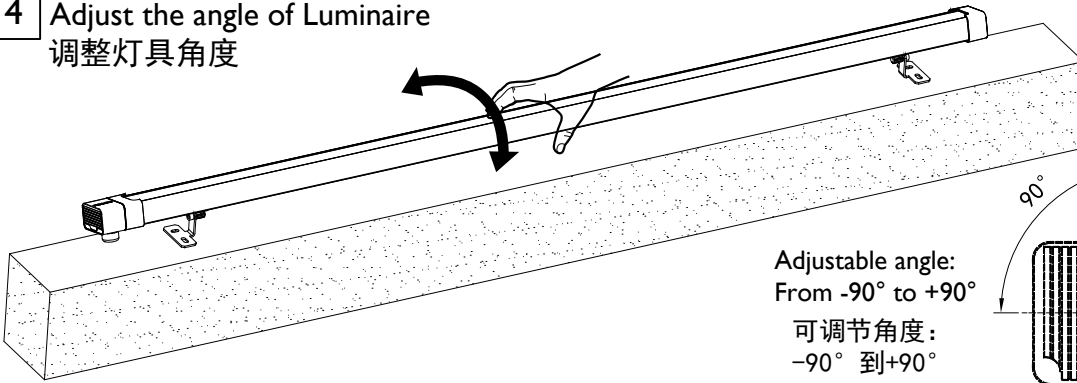
Type Number 产品型号	Beam angle 出光角度	CCT / Color 色温/颜色		LEDs Qty LED 颗粒数	Typic Power 典型功率	Voltage 输入电压
BCP280 5LED Mono	15°x55°	2700k	0.55	5	9.6	24V
		3000k				
		4000k				
	45°	2700k				
		3000k				
		4000k				
BCP280 5LED DMX	15°x55°	2700k	0.65	5	9.6	24V
		3000k				
		4000k				
	45°	2700k				
		3000k				
		4000k				
BCP280 20LED Mono	15°x55°	2700k	1.5	20	40	24V
		3000k				
		4000k				
	45°	2700k				
		3000k				
		4000k				
BCP280 20LED DMX	15°x55°	2700k	1.65	20	40	24V
		3000k				
		4000k				
	45°	2700k				
		3000k				
		4000k				



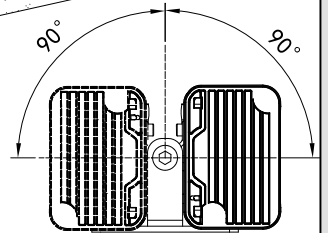
3 Loosen the bolt
拧松螺栓



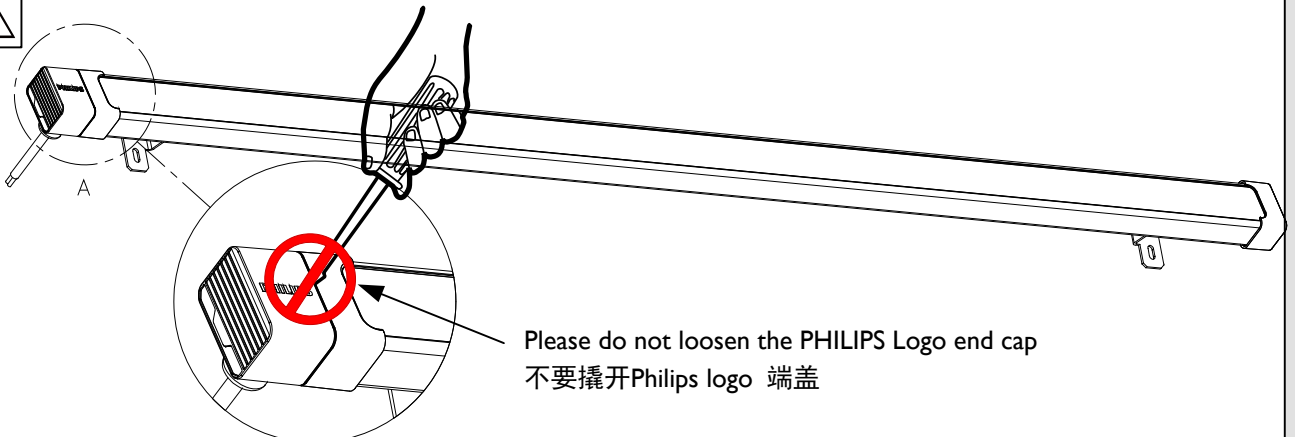
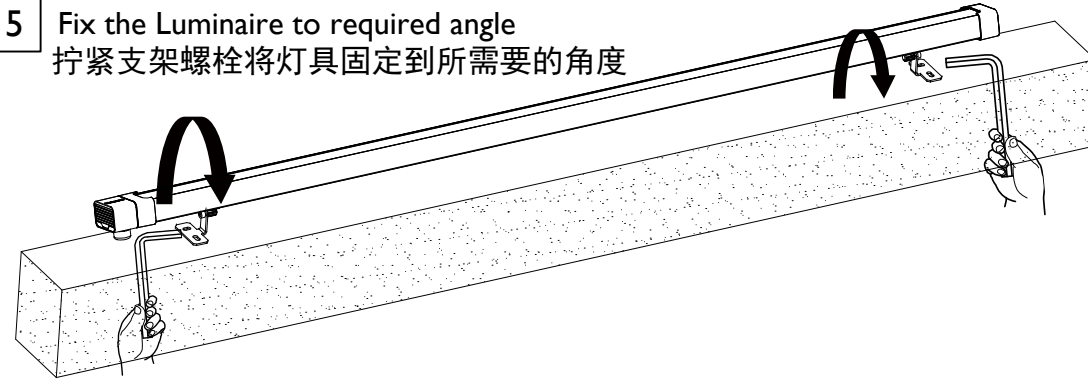
4 Adjust the angle of Luminaire
调整灯具角度



Adjustable angle:
From -90° to +90°
可调节角度：
-90° 到+90°

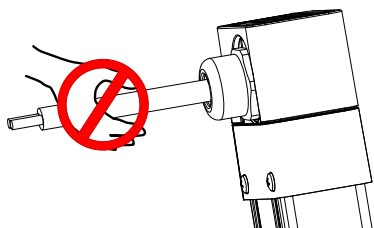


5 Fix the Luminaire to required angle
拧紧支架螺栓将灯具固定到所需要的角度

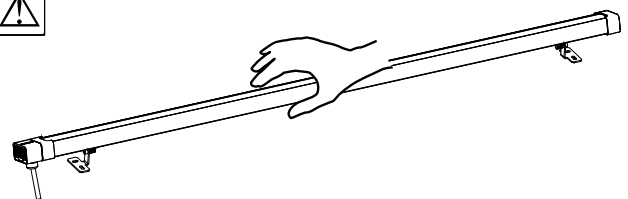


Please do not loosen the PHILIPS Logo end cap
不要撬开Philips logo 端盖

Detail A 放大图 A

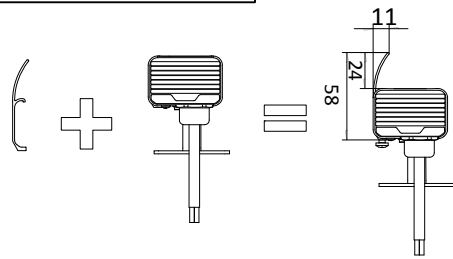


Please do not use cable to carry out luminaires
不要用线去搬运灯具

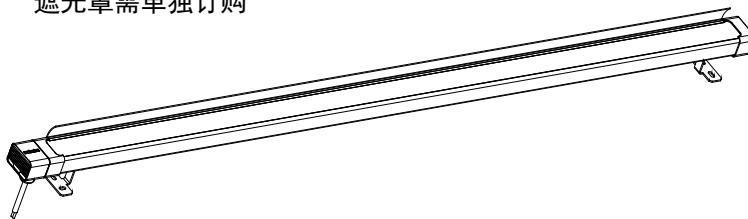


Recommend above way to carry out luminaires
推荐上图的搬运灯具方式

Accessories / 配件

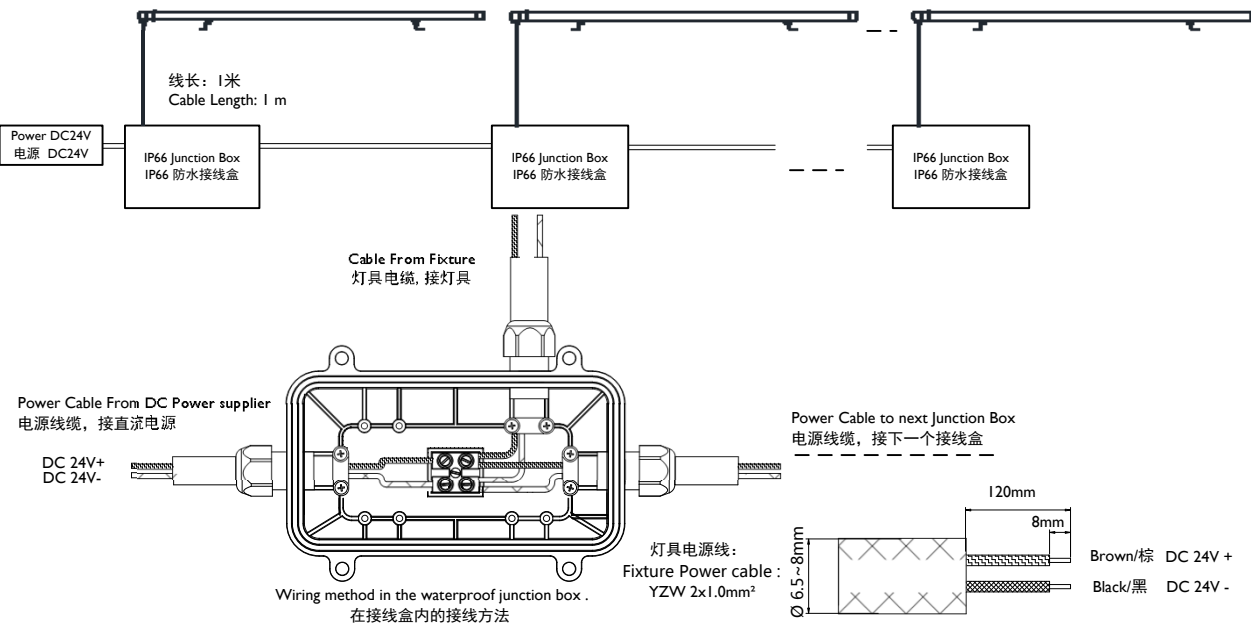


Note:
Addition order for optical glare shield
遮光罩需单独订购



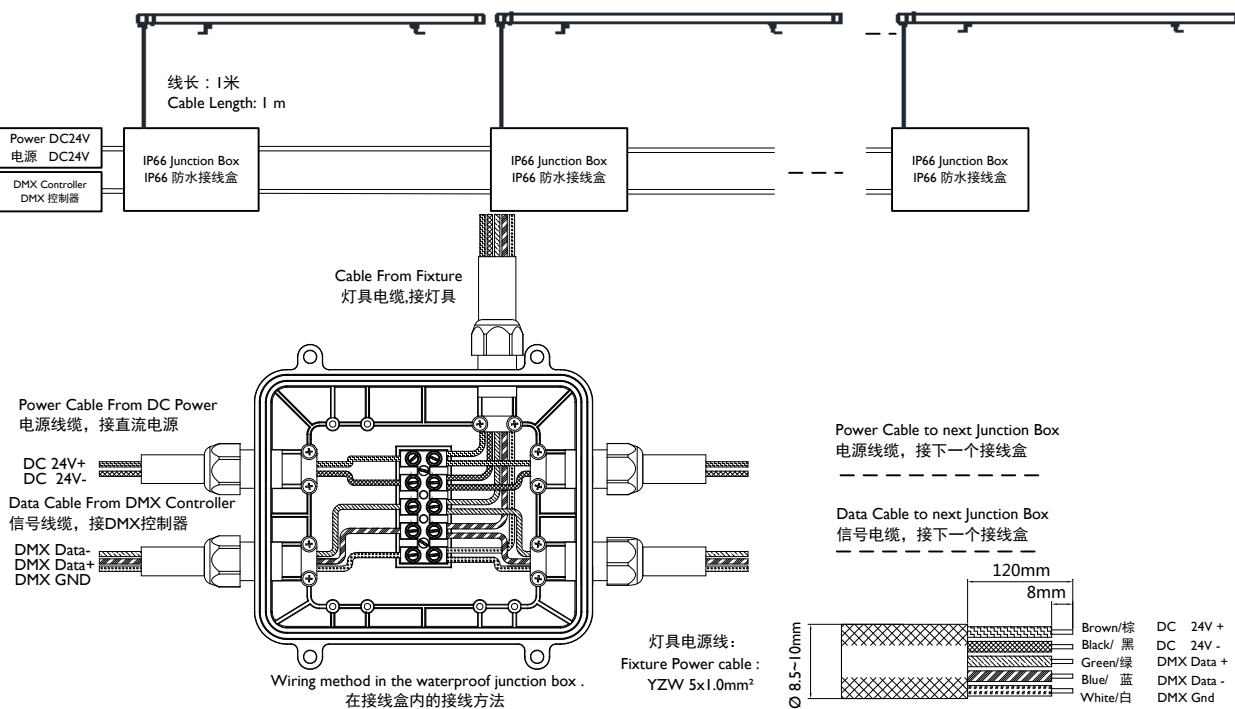
ON/OFF Luminaires wiring / 非调光灯具接线图

Suggest to use Philips power supply, about the details, please consulting philips sales department.
建议使用 Philips 电源, 详细请咨询 Philips 销售部。



DMX Luminaires wiring / 调光灯具接线图

Suggest to use Philips power supply, about the details, please consulting philips sales department.
建议使用 Philips 电源, 详细请咨询 Philips 销售部。





Disclaimer
免责声明

1.Explanation of color of cable on DMX Controller:

DMX controller in line with ESTA Standard: DMX data+(White&Orange), DMX D-(Orange), DMX Ground(Brown and White&Brown),

Philips iPlayer3 controller: DMX Data+(Orange), DMX Data-(White&Orange), DMX Ground(Green and White&Green)

DMX 控制器输出端导线颜色说明:

符合ESTA 标准的DMX控制器: DMX Data+ (白橙色), DMX Data- (橙色), DMX Ground(棕色和白棕色);

Philips iPlayer3 控制器: DMX Data+ (橙色), DMX Data- (白橙色), DMX Ground(绿色和白绿色)。

2. When more than one fixture be connected together, please ensure power supply is able to drive all the fixtures.

当多个灯具连接时, 使用的电源要与所连灯具的总功率相匹配, 建议电源功率根据实际情况留出余量。

3. Maximum DMX data run from DMX source to last fixture in chain is 100m, maximum 32 fixtures unless booster or repeater is used.

从DMX控制器到灯串最后一个灯具的最大传输距离是100米。若不使用放大器或中继器, 一个DMX控制器最多可控制32个灯具

4. Please use IP66 junction boxes (purchased by customer).

请使用防水等级IP66的接线盒(需客户自购)。

5. The wire connection method is determined by local electrical codes and regulations. Typical method is to use either wire, nuts or screw terminal blocks.

接线方式取决于当地电气法规及规定, 一般是使用螺纹旋紧型导线连接器或螺钉接线端子。

6. Advise using Philips adaptor.This device complies with CE EMC directive 2004/108/EC.

If improper adaptor being used.

i) The luminaire may cause harmful interference,

ii) The luminaire may be influenced by any interference received.

建议使用飞利浦电源, 灯具已通过CE EMC参照2004/108/EC,

如果使用其它电源型号:

i) 灯具可能产生有害的电磁干扰。

ii) 灯具可能收到外界的电磁干扰。

7. The luminaire should be installed by a qualified electrician and wired in accordance with the latest IEE electrical regulations or the national requirements.

灯具应由有资格的电工安装, 接线要符合IEE电气标准或国家标准。

8. Do not switch on before complete installation.

接线过程中切勿通电。

9. Don't hot swap. Don't operate when power on.

不能热插拔, 不能带电操作。

10. The external cable of this luminaire cannot be replaced. If the cord is damaged, the luminaire should be destroyed.

此灯具的外部伸出线缆不能替换。如果线缆损坏, 该灯具即报废。

11. The cable gland of connection box must be suitable for luminaire lead cable.

接线盒的进线接头必须和灯具提供的引线相匹配。

12.The light source of luminaire is not replaceable; when the light source reaches its end of life the whole luminaire shall be replaced

灯具光源不可更换。当光源寿命达到最终使用寿命, 需要更换整个灯具

13.Regularly check; Regularly clean, etc.

定期检测, 定期清洗等。