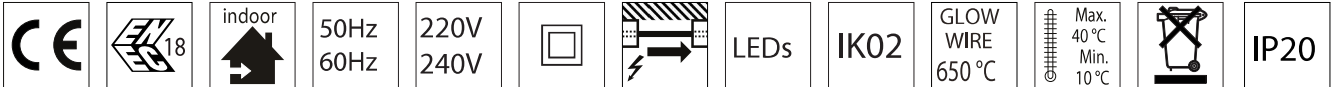
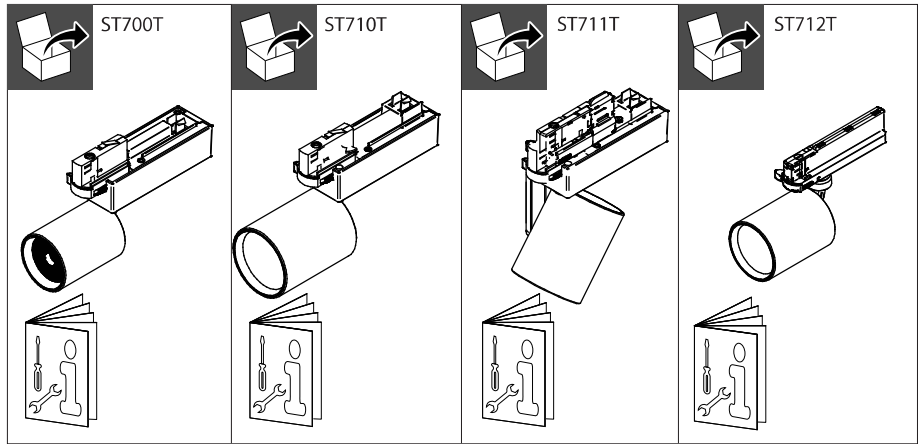


PHILIPS

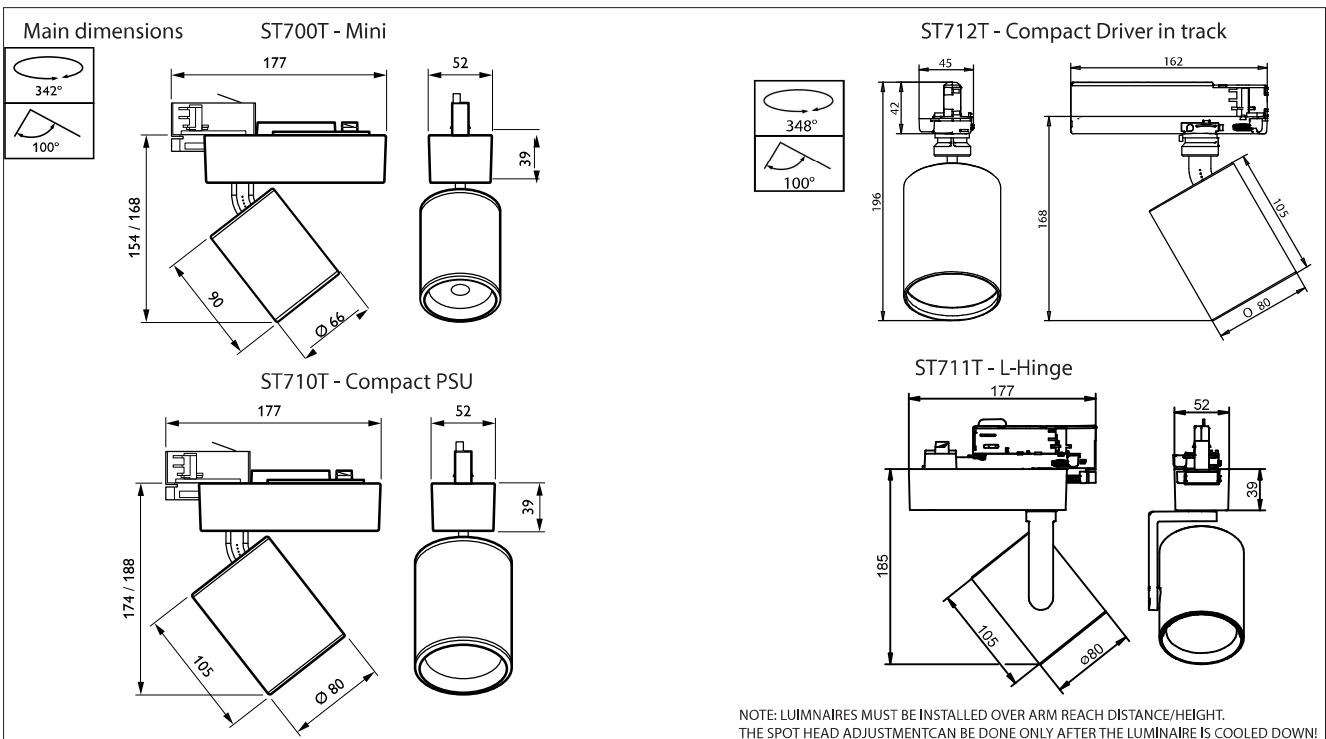
TrueFashion
PremiumColor

ST700T/ST710T/
ST711T/ST712T



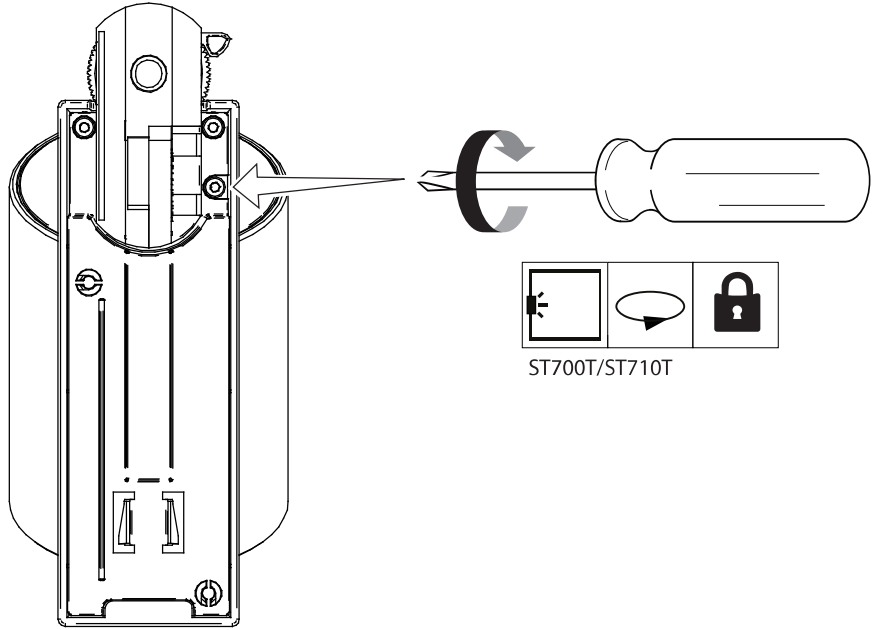
Housing	Lumen package	Color temperature [K]	kg	P _{nom.}	Driver type	Beam angle (CLM-Collimator, FR-Reflector)					
						12	18	24	30	36	60
ST700T TrueFashion Mini	LED17S	PC9	0,52	26,0W	PSU/PSD	CLM			CLM		
		DNM	0,52	26,0W	PSU/PSD	CLM			CLM		
ST710T/ST711T TrueFashion Compact	LED20S	PC9	0,61	31,5W	PSU/PSD	FR					
		DNM	0,61	31,5W	PSU/PSD	FR					
ST710T/ST711T TrueFashion Compact	LED27S	PC9	0,61	32,5W	PSU/PSD		FR	FR	FR	FR	FR
		DNM	0,61	32,5W	PSU/PSD		FR	FR	FR	FR	FR
ST712T TrueFashion Driver in track	LED20S	PC9	0,61	30,5W	PSU		FR	FR	FR	FR	FR
		DNM	0,61	30,5W	PSU		FR	FR	FR	FR	FR
ST712T TrueFashion Driver in track	LED24S	PC9	0,61	28,0W	PSU		FR	FR	FR	FR	FR
		DNM	0,61	28,0W	PSU		FR	FR	FR	FR	FR

Lorel





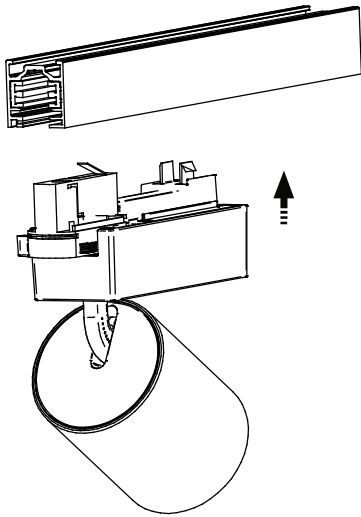
Installation



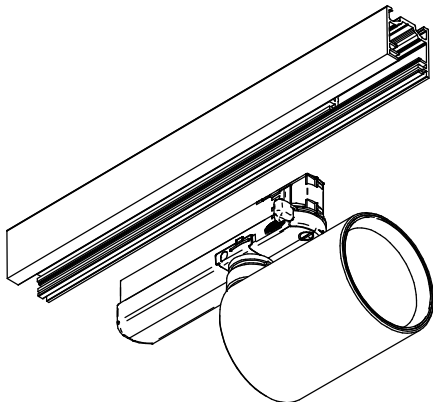
sum

1

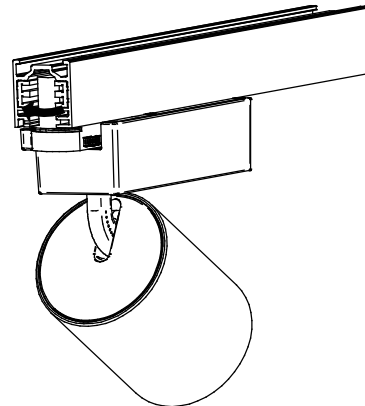
ST700T/ST710T/ST711T



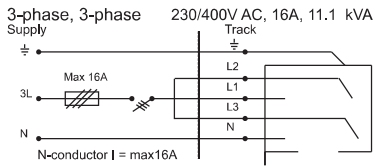
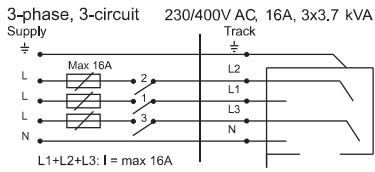
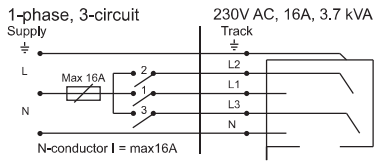
ST712T



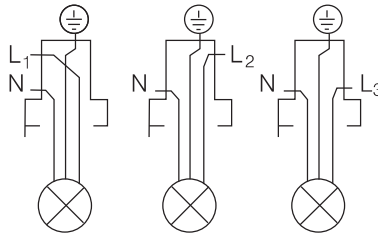
2



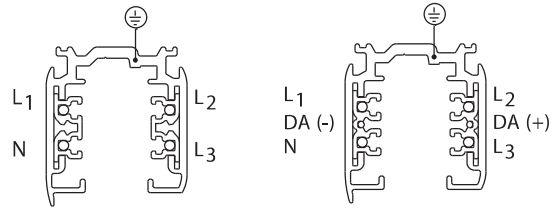
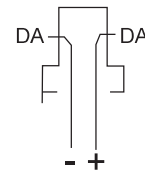
3



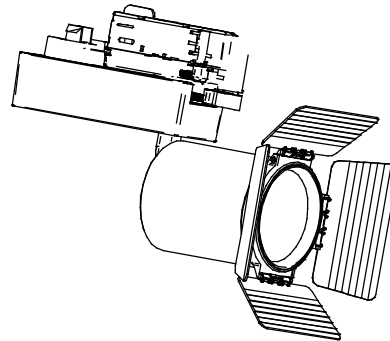
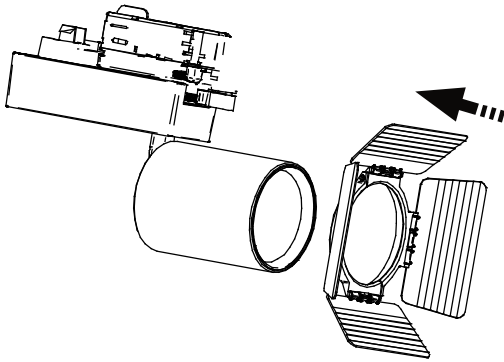
GA 69 & GAC69 Dali - 230 V, 6A



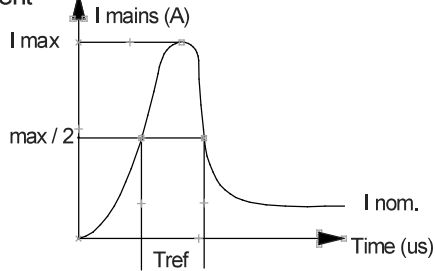
GAC69 Dali - 1A, 50V FELV



ST700Z BD BK Accessory installation



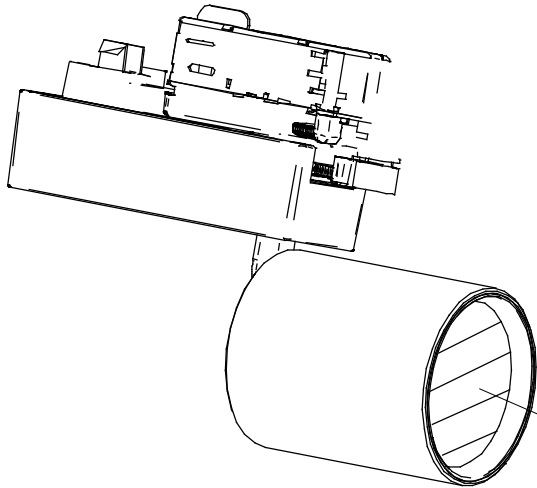
Inrush current



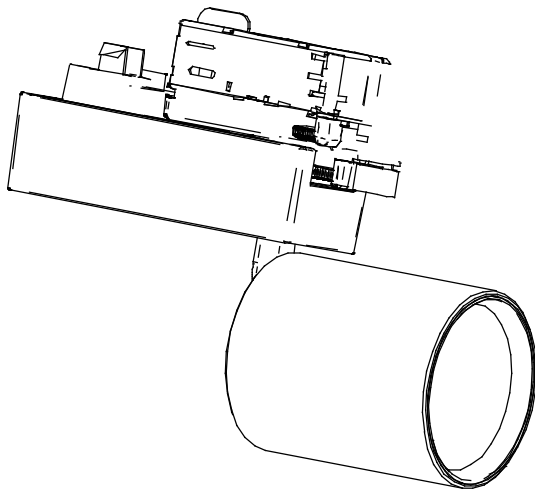
CA/TRACK ADAPTER GA17 DRIVER IN TRACK	
I _{peak} [A]	5
T _{ref} [us]	50
MCB	Max products [pcs]*
B-16 A type B	50

Xit 36W/m0.3-1.05A 929001415106 PSU	
I _{peak} [A]	18.6
T _{ref} [us]	240
MCB	Max products [pcs]*
B-16 A type B	34

Xitanium 36W/m 0.3-1.05A 54V TD 230V 929001419106 PSD	
I _{peak} [A]	18
T _{ref} [us]	250
MCB	Max products [pcs]*
B-16A type B	34

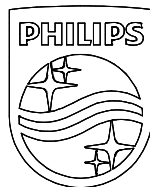


Remove protection foil
after installation



Only with soft cloths!

The light source contained in these luminaires shall only be replaced by manufacturer or his service agent or a similar qualified person!



© 2018 Signify Holding.
All rights reserved. This document contains information relating to the product portfolio of Signify which information may be subject to change. No representation or warranty as to the accuracy or completeness of the information included herein is given and any liability for any action in reliance thereon is disclaimed. The information presented in this document is not intended as any commercial offer and does not form part of any quotation or contract. Philips and the Philips Shield Emblem are registered trademarks of Koninklijke Philips N.V.. All other trademarks are owned by Signify Holding or their respective owners.

Signify Holding.
The Netherlands