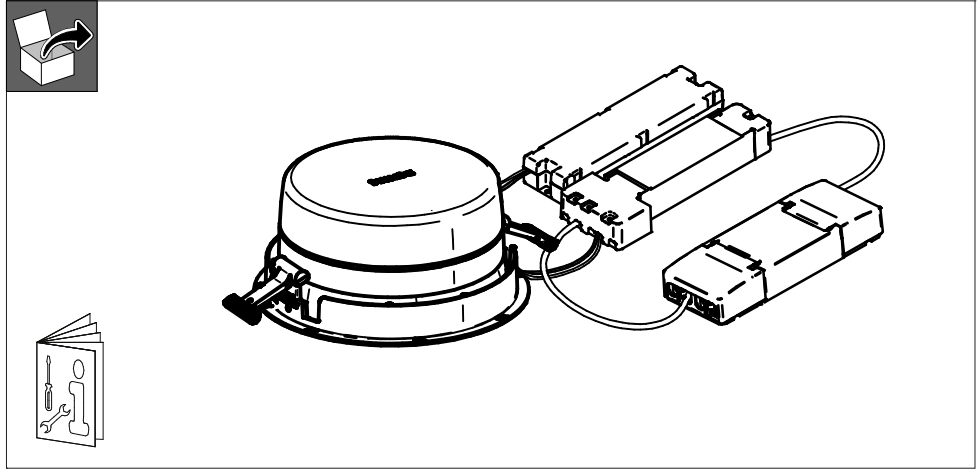


PHILIPS

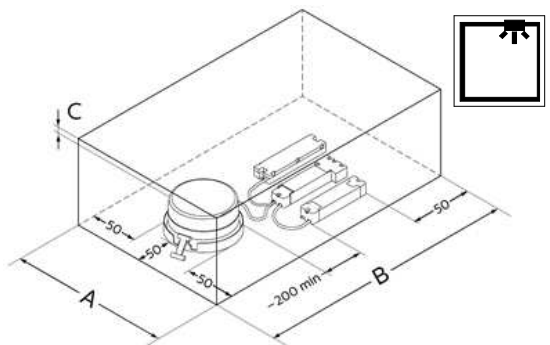
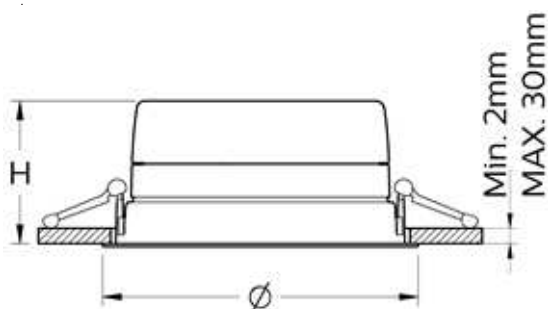
Luxspace Emergency

DN560B/561B/570B/571B

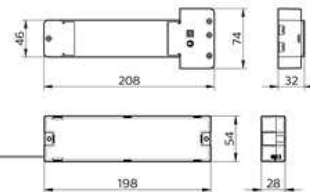


Model	Lumen package	Color Temperature [K]	kg
DN560B DN561B	LED8S	830/840/927/930/940	1,1
	LED12S	830/840/927/930/940	1,1
	LED20S	830/840/927/930/940	1,1
DN570B DN571B	LED12S	830/840/927/930/940	1,5
	LED20S	830/840/927/930/940	1,5
	LED24S	830/840/927/930/940	1,5
	LED40S	830/840	1,5
	LED60S	830/840	1,5

Product info



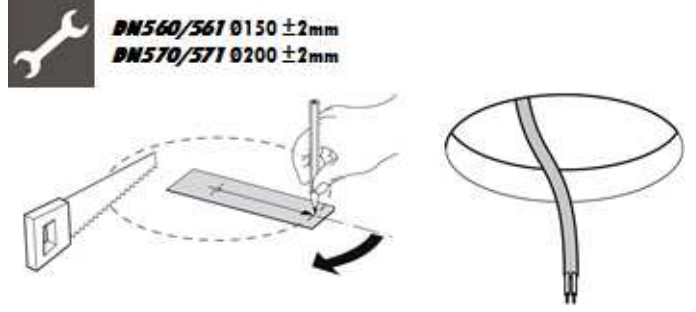
	H [mm]	mm	Ø [mm]	A [mm]	B [mm]	C [mm]
DN560B	72	150	164	250	550	>3
DN561B	86	150	164	250	550	>3
DN570B	96,5	200	214	300	700	>3
DN571B	119	200	214	300	700	>3





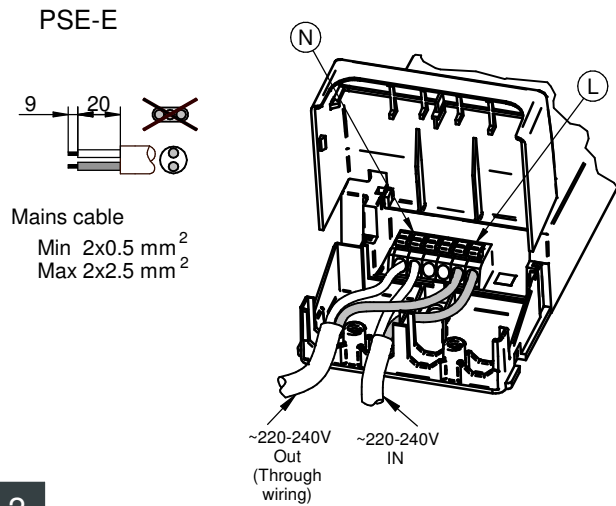
- RIMLESS Housing
- PG or PGO Front Face Covers
- Suspended Glass Deco Accessories

1a



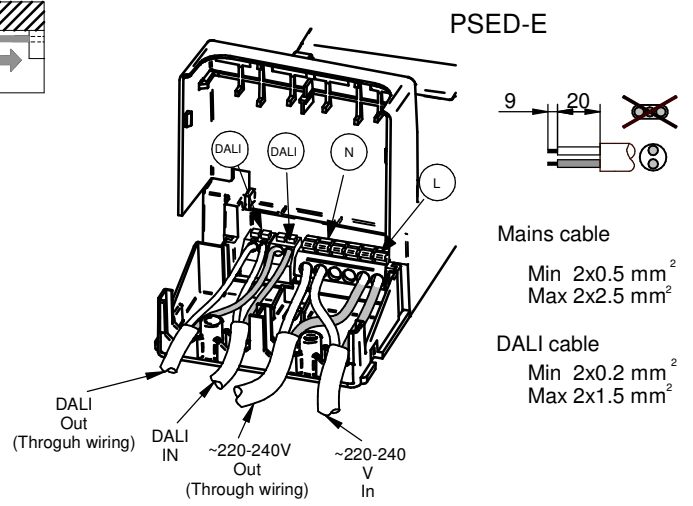
BN560/561 Ø150 ±2mm
BN570/571 Ø200 ±2mm

1b



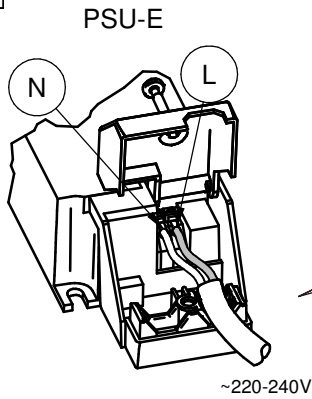
Mains cable
Min 2x0.5 mm²
Max 2x2.5 mm²

2



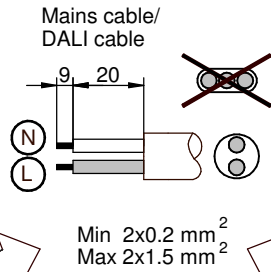
Mains cable
Min 2x0.5 mm²
Max 2x2.5 mm²
DALI cable
Min 2x0.2 mm²
Max 2x1.5 mm²

2

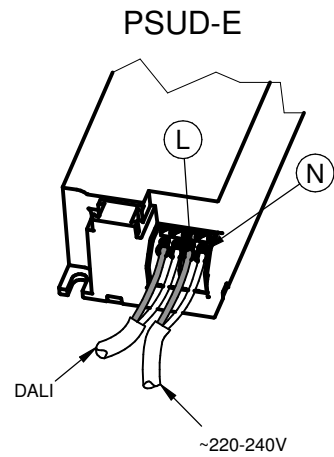


PSU-E

~220-240V



Min 2x0.2 mm²
Max 2x1.5 mm²



PSUD-E

~220-240V

2b

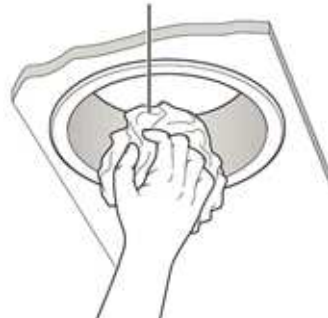
DN560B/561B/570B/571B + PG
DN560B/561B/570B/571B + PGO

IP20

IP54

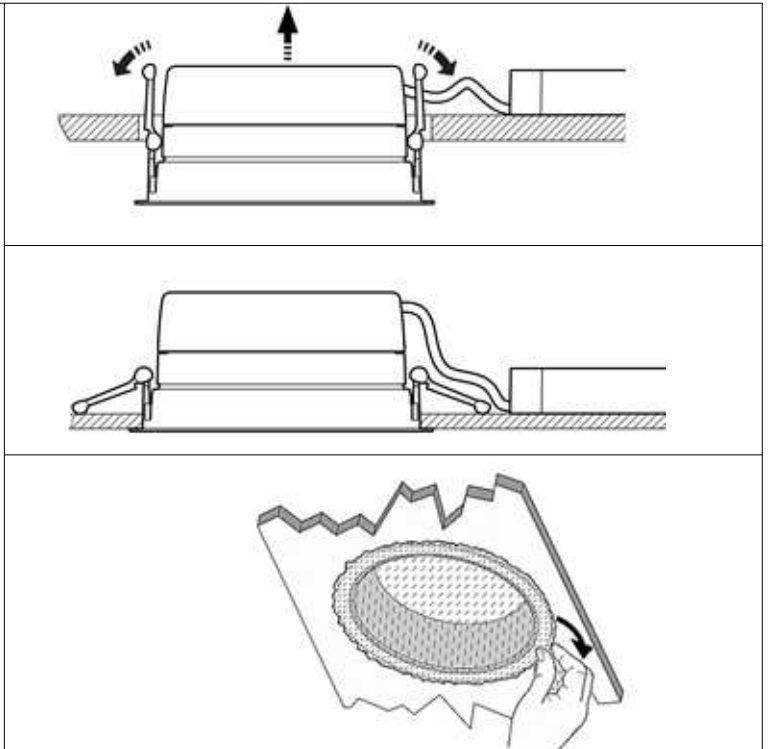
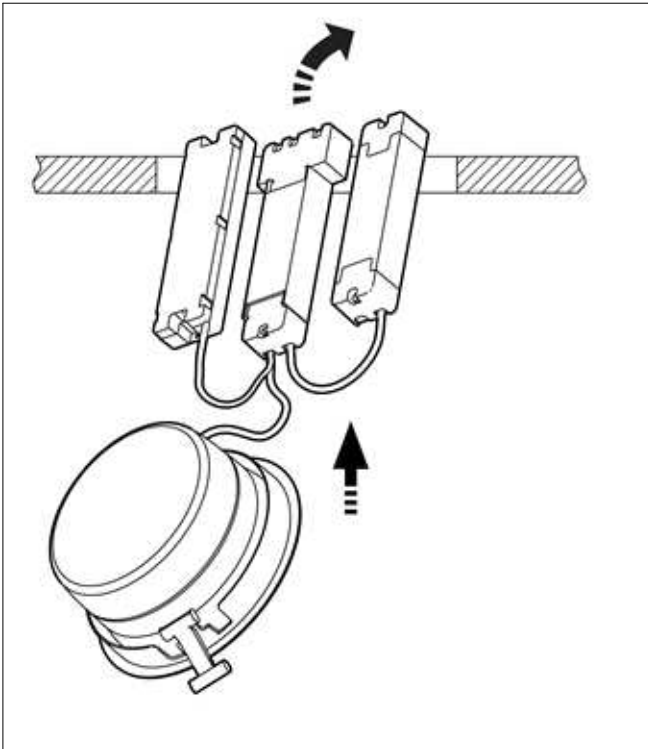


ZBS260 OCS.

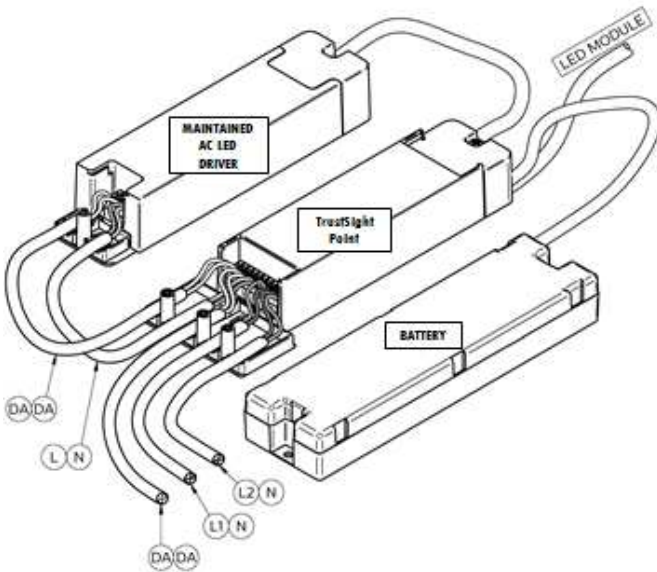


Soft cloth

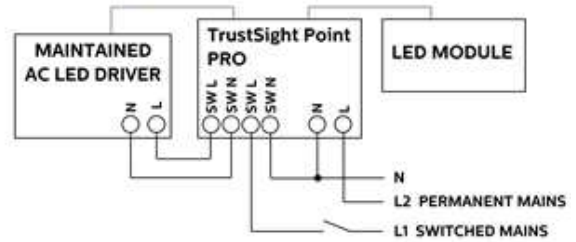




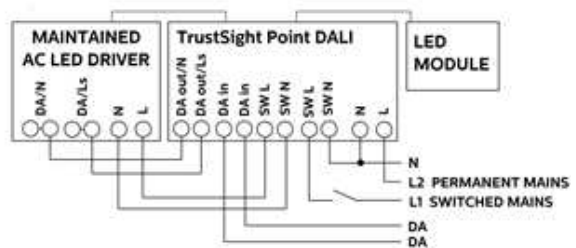
! SERVICE WARNING: DISCONNECT !



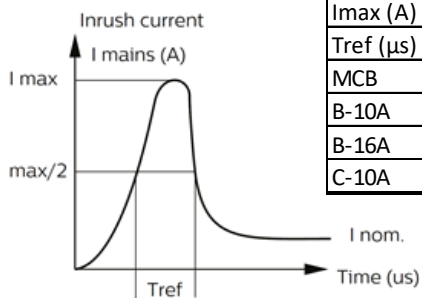
TrustSight PRO



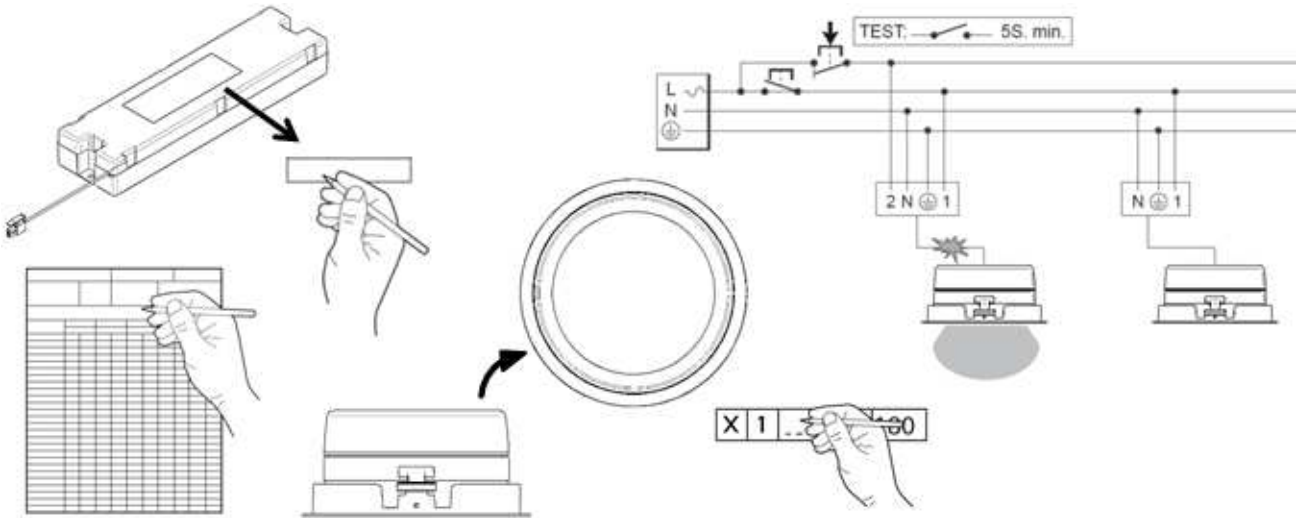
TrustSight DALI



DALI dimming range 1-100%



	Xitanium 20W/m 0.15- 0.5A 54V 230V	Xitanium 36W/m 0.3- 1.05A 54V 230V	Xitanium 20W WH 0.15-0.5A 54V Is	Xitanium 36W WH 0.3- 1.05A 54V Is	Xitanium 20W WH 0.15-0.5A 54V TD/Is CL	Xitanium 36W WH 0.3- 1A 54V TD/Is CL	XITANIUM 36W/M 0.3- 1.05A 54V TD 230V
Inom (A)	0.12	0.2	0.11	0.19	0.11	0.19	0.2
I max (A)	18	18	15.8	16	20.4	20.4	18
Tref (μs)	250	250	224	216	195	195	250
MCB	Max number of drivers						
B-10A	x21	x21	x21	x21	x15	x15	x21
B-16A	x34	x34	x36	x36	x24	x24	x34
C-10A	x34	x34	x34	x34	x24	x24	x34

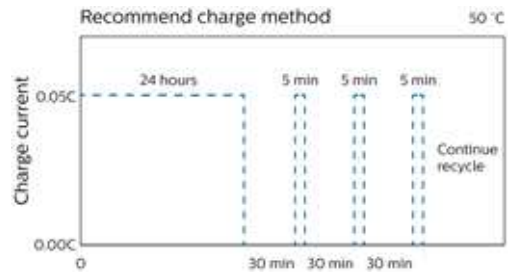


BATTERY CHARGE

Initially the battery is charged with a constant current, according to the manufacturer's specification.
 After 24 hours the battery will be fully charged and the charger will switch over to pulse-charging to keep the battery fully charged.
 The pulse charge scheme is given in the picture to the left.



High temperature NiMH 7,2V 2500mAh.
 Change batteries when the allocated light level or duration is no longer satisfied.
 TrustSight Battery Box P/N : 9137 007 68266.



UNIT		LUXSPACE		
Battery		Accu NiMH		
Charge time		24h00		
Temps de charge		24h00		
Aufladezeit		24h00		
Oplaadtijd		24h00		
Tempo di ricarica		24h00		
Tiempo de carga		24h00		
LEDs	T° K	Number of cells Numero de baterias Anzahl der Akkus Aantal batterijen Numero ele-menti batteria	Nominal voltage Tension nominal Nenn Spannung Nominale Spanning Tension nominale	Rated lumen output Flujo emergencia Nenn lichtstrom Nominale Lichtstrom Flusso lum. In
		3H	3H	3H
DN560 / DN561	830	6	7,2V	440 lm
	840	6	7,2V	463 lm
DN570 / DN571	827	6	7,2V	397 lm
	930	6	7,2V	352 lm

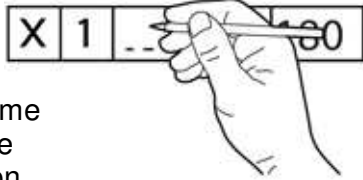
CLO Version

		CCT/CRI	Pmax (W)	Pmax (W)
			@ t=0h	@ t=50kh
DN560B/DN561B	LED8S	830/840	9	11
DN560B/DN561B	LED12S	830/840	12	14,6
DN560B/DN561B	LED12S	927/930	12	14,6
DN570B/DN571B	LED12S	830/840	11	14
DN570B/DN571B	LED12S	927/930	14	17
DN570B/DN571B	LED20S	830/840	16	20,6
DN570B/DN571B	LED20S	927/930	20	24,8
DN570B/DN571B	LED24S	830/840	20	24,8
DN570B/DN571B	LED24S	927/930	24	29,8
DN570B/DN571B	LED40S	830/840	28	35,6

CLO Table

Ste	time	
p	(h)	P %
	0	80%
1	3000	81%
2	7000	83%
3	10000	84%
4	13000	85%
5	17000	87%
6	20000	88%
7	23000	89%
8	27000	91%
9	30000	92%
10	33000	93%
11	37000	95%
12	40000	96%
13	43000	97%
14	47000	99%
15	50000	100%

Date of installation
 Date d'installation
 Installationsdatum
 Datum ingebruikname
 Data di installazione
 Fecha de instalacion



Log book
 Carnet d'entretien
 Logbuch
 Lodboæk
 Libretto di manutenzione
 Ficha de registr

Job nr		Location		Installer
Full recharge time	Duration	Date	Installation engineers test (Full charge & discharge cycle)	

Routine test record

	Years 1		Years 2		Years 3		Years 4		Years 5	
	Signed	Date	Signed	Date	Signed	Date	Signed	Date	Signed	Date
Functional										
Functional										
Functional										
Functional										
Functional										
Functional										
Functional										
Functional										
Functional										
Functional										
Functional										
Functional										
Functional										
Functional										
Functional										
Functional										
Functional										
Functional										
Functional										
Functional										
Functional										
Functional										
Functional										
Functional										
Functional										
Functional										
Functional										



DO NOT REPROGRAM THE DRIVER

Constant light Output Option stopped @ 50 000h

The light source contained in this luminaire shall only be replaced by the manufacturer or his service agent or a similar qualified person

© 2018 Signify Holding.

All rights reserved. This document contains information relating to the product portfolio of Signify which information may be subject to change. No representation or warranty as to the accuracy or completeness of the information included herein is given and any liability for any action in reliance thereon is disclaimed. The information presented in this document is not intended as any commercial offer and does not form part of any quotation or contract. Philips and the Philips Shield Emblem are registered trademarks of Koninklijke Philips N.V.. All other trademarks are owned by Signify Holding or their respective owners.

Signify Holding.
The Netherlands