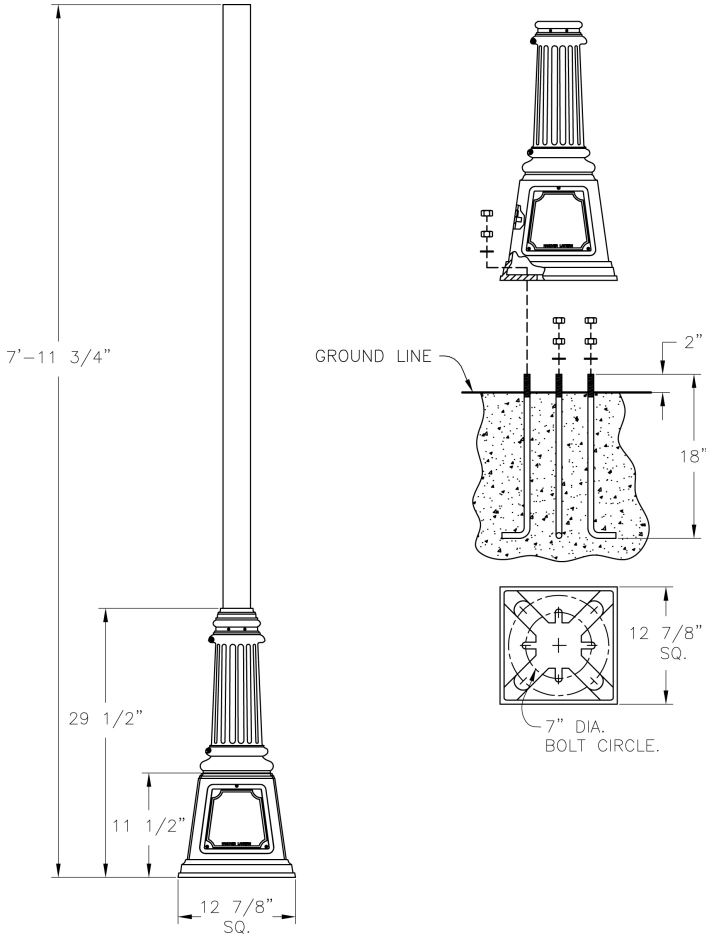


# Anchor Base Post (387-) Specification Sheet

Project Name:	Location:	MFG: Philips Lighting
Fixture Type:	Catalog No.:	Qty:



## Ordering Guide

Example: 387- 8 ABS B B D

<b>Product Code</b>	387-	Anchor Base Post
<b>Height(s)</b>	8 10	(8 ft.) (10 ft.)
<b>Finish</b>	ABS ACP ARD ASI BLK BRN BRZ FGN GRA IRN RBZ SRT VBZ VCP VGN VTC WBZ WHT	Antique Brass Antique Copper Antique Red Antique Silver Black Brown Bronze Forest Green Granite Ironstone Rustic Bronze Shadow Rust Verde Bronze Verde Copper Verde Vintage Copper Weathered Bronze White
<b>Photoeye (Optional)</b>	B C	120V 208V - 277V
<b>Outlet Location (Optional)</b>	B T	4" from Top of Base 12" from Top of Pole
<b>Outlet Options (Optional)</b>	D G	Standard Duplex GFI Duplex

## Specifications

### OUTLET:

GFI Duplex Outlet has dual-function indicator light, universal metal weatherproof cover. Weatherproof while in use. Heavy-duty all-metal construction. Lockable security cover. Meets NEC 406.9 (B). Weather resistant. Standard Duplex Outlet has universal metal weatherproof cover. Weatherproof while in use. Heavy-duty all-metal construction. Lockable security cover. Meets NEC 406.9 (B). Weather resistant.

### CONSTRUCTION:

Cast aluminum square anchor base. Cast aluminum removable access door. Straight post welded to base. Two piece cast aluminum wrap-around base included with post.

### FINISH:

Resilient TGIC thermoset polyester powdercoat paint is electrostatically applied to every fixture. Specially formulated for Philips Outdoor Lighting, it provides UV protection, and the highest temperature rating in the industry. In addition to the standard color choices shown, a spectrum of custom colors is available.

### WARRANTY:

Three-year limited warranty.

### Tenon/Top:

3" O.D.

### Bolt Circle:

7" dia.

### Anchor Rods:

# Anchor Base Post (387-) Specification Sheet

Project Name:	Location:	MFG: Philips Lighting
Fixture Type:	Catalog No.:	Qty:

(4) 1/2" dia. x 18" long zinc plated steel

**Base Dimensions:**

12 7/8" sq. x 11 1/2"

**Shaft:**

3" Straight

**Wall Thickness:**

.125"

**Height:**

8', 10'

## Pole EPA Values

---

Windspeed(mph)	Height	
	8'	10'
80	8.0600	5.8300
110	3.8500	2.5600
130	3.5000	2.1100