

LIGHTING ADAPTERS



SAMPLE CATALOG NUMBER: LA-27-4M

LA	-	-	-
<u>DESIGNATOR</u>			<u>WIRING CONFIGURATION</u>
LA – Lighting Adapter			4M – 2 circuit (A & B tap) 4A – A circuit tap only 4B – B circuit tap only 4C – C circuit tap only 4T – 3 circuit (A, B, & C tap)
			<u>VOLTAGE</u>
			12 – 120v 27 – 277v 34 – 347v

APPLICATION

- The lighting adapter is the link between the wiring distribution and the luminaire ballast(s).
- It mounts directly to the fixture body without modification by snapping into a standard 1/2" K.O. (7/8" diameter).
- Adapter can be rotated for ease of cable orientation to prevent a strain on the connection.

ELECTRICAL

- UL/cUL listed.

CONSTRUCTION

- Adapter is 2-13/16"x 2-13/16"x 13/16" installed.
- Male (power-in) and female (power-out) configuration.
- Die cast housing with zinc plated steel cover plate.
- Fixture adapters can be wired for single or multi-level use.
- Thru-wired for three circuits.
- Type 4M adapter wires are #18 AWG TFN solid copper conductors, 600 volt.
- Type 4M have 15" tap leads.
- Fixture adapter is normally factory pre-wired to luminaire, but can be field installed.

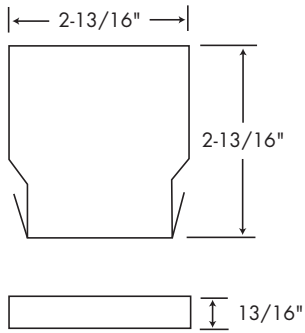
Job Name:

Catalog Number:

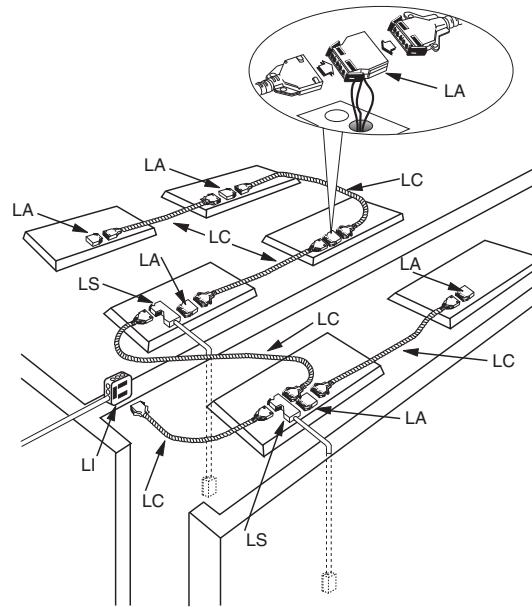
Type:

Notes:

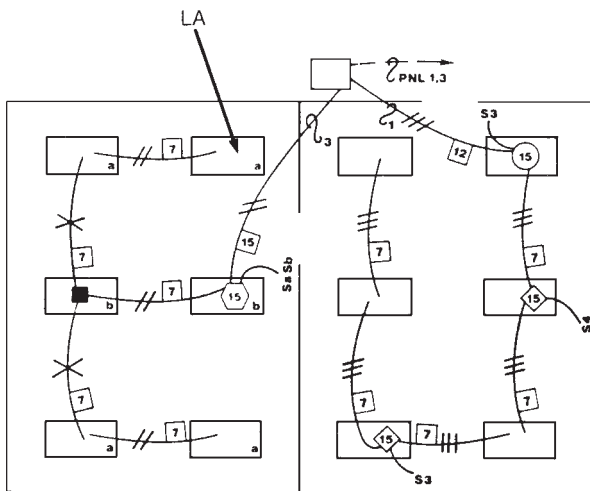
DIMENSIONS



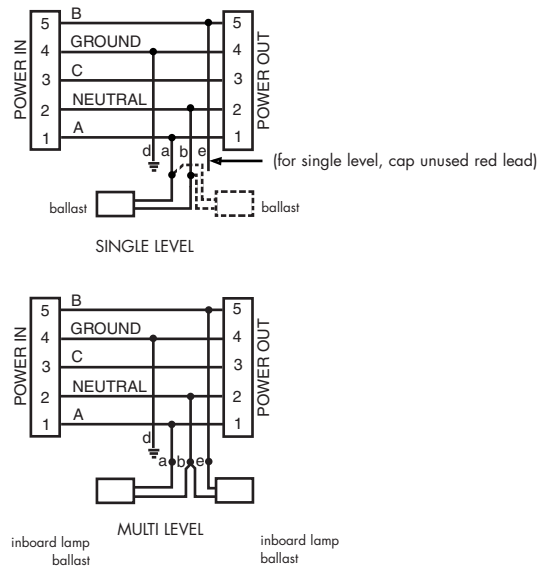
APPLICATION



WIRING



WIRING DIAGRAM



TAPS	LEADS
a	black
b	white
c	blue
d	green
e	red