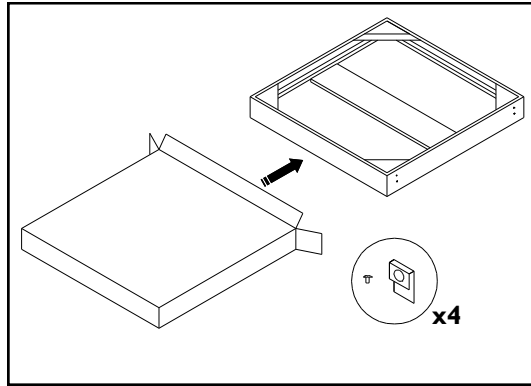
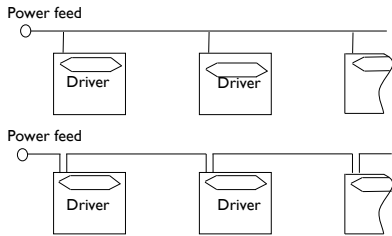


1 Prepare fixtures

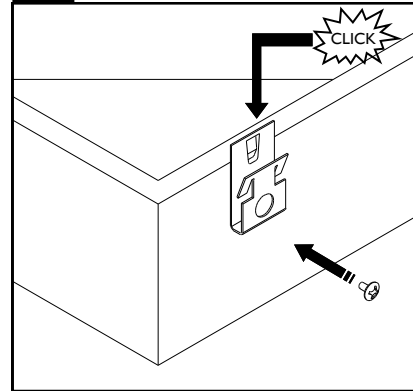
Arrange boxed fixtures on the floor in specified mounting locations; remove fixtures and hardware from boxes.

NOTE: Leave the cardboard spacers and protective film installed until complete.



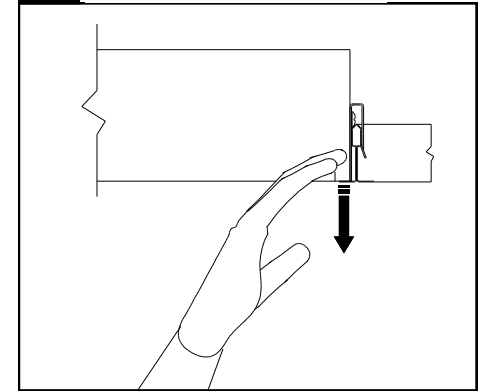
Remove fixture from packaging and locate hardware. Leave spacers in place for install.

2 Attach grid clips



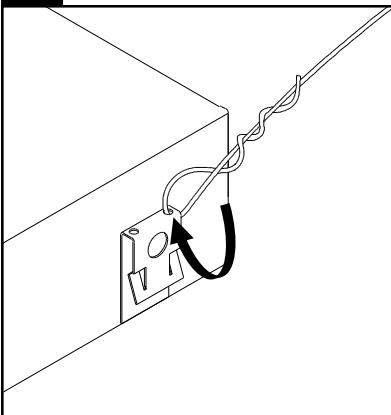
Attach grid clips to fixture using supplied screws.

3 Install in ceiling grid



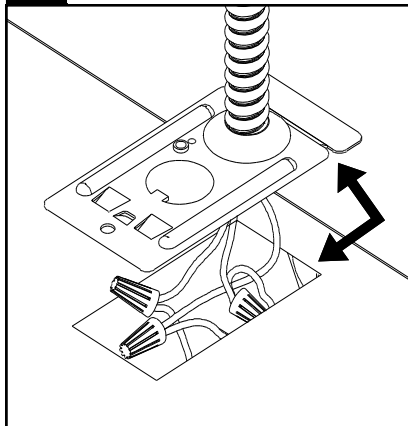
Pull down to engage clips onto T-bar.

4 Secure fixture



Secure fixture with grid wire or suitable equivalent per local and national building codes.

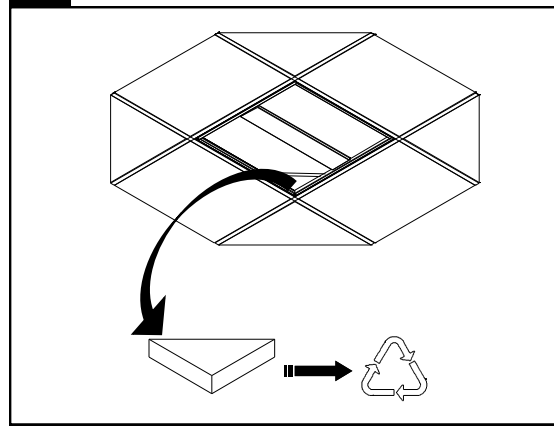
5 Connect wiring



Remove pre-installed wire access plate. Connect power feed to the leads provided.

Note: A second wire knockout is provided for daisy-chain wiring additional fixtures.

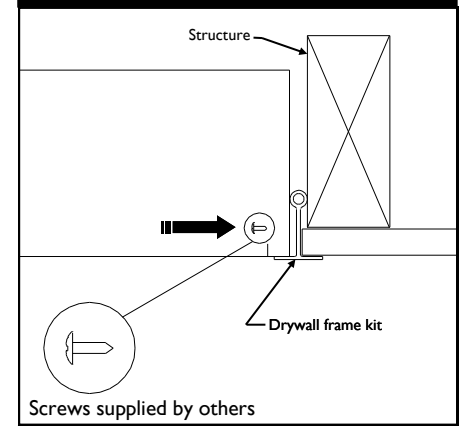
6 Remove spacers



Remove spacers and / or protective film.

Cardboard and plastic film are recyclable where facilities exist.

Drywall Ceiling ONLY



For drywall or inaccessible ceilings only:

Lift and shift lens frame, rotating about hinge pins and remove.

Secure fixture to mounting frame by screwing through the holes in side of housing.