

Project: _____

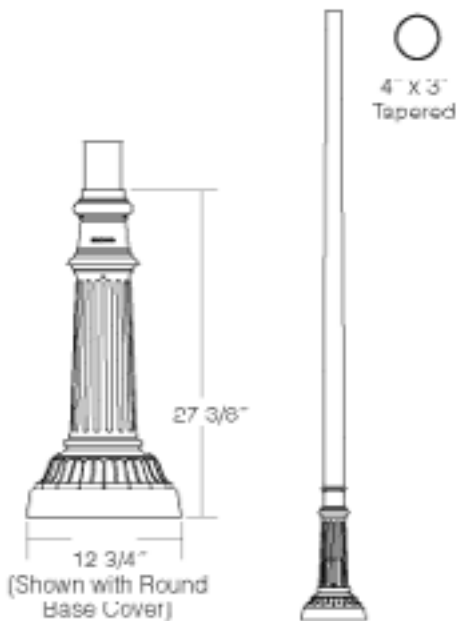
Location: _____

Cat.No: _____

Type: _____

Lamps: _____ Qty: _____

Notes: _____



Ordering Guide

Example: P1526 8 A T D

Product Code	P1526	
Pole Height	8	8'
	10	10'
	12	12'
	14	14'
Finish	A	Black
	B	White
	G	Verde
	H	Bronze
	J	Green
Outlet Location (Optional)	T	12" Down from Top - Aligned with House Side *1
	B	4" Up from Top of Base - Aligned with House Side
Outlet Options (Optional)	D	Standard Duplex
	G	GFI Duplex

*1 Top outlets not available with the HFP arms.

Specifications

HOUSING:

356 HM high-strength, low-copper, proprietary cast aluminum alloy . 319 Permanent mold aluminum . 6005-T5 extruded aluminum. Anchor rods are hot dipped galvanized steel

FINISH:

A durable polyurethane enamel finish is applied after assemblies are shot blasted to create a surface profile which allows for the highest level of paint adhesion. Laboratory tested for superior weatherability and fade resistance in accordance with ASTM B-117-64 and ANSI/ASTM G53-77 specifications. For larger projects where a custom color is required, contact the factory for more information.

WARRANTY:

Three-year limited warranty.

OUTLET:

Standard Duplex Outlet has universal metal weatherproof cover. Weatherproof while in use. Heavy-duty all-metal construction. Lockable security cover. Meets NEC 406.9 (B). Weather resistant. GFI Duplex Outlet has dual-function indicator light, universal metal weatherproof cover. Weatherproof while in use. Heavy-duty all-metal construction. Lockable security cover. Meets NEC 406.9 (B). Weather resistant.

P1526 P1526

Pole

Specifications

Tenon/Top:

3" OD

Bolt Circle:

9 3/8"

Anchor Rods:

(4) 1/2" dia. x 15 1/2"

Base Dimensions:

8 1/4" sq. x 27 3/8"

Base Cover:

(Included) 12 3/4" dia. x 5 1/2"

Hand Hole :

3" x 5"

Shaft:

4" to 3" Tapered

Wall Thickness:

0.125 Aluminum

Wall Thickness:

0.188 Aluminum (14')

Height :

8', 10', 12', 14'

Pole EPA Values

Windspeed(mph)	Height			
	8'	10'	12'	14'
80	10.2400	8.1200	6.6400	7.5700
100	5.7800	4.4400	3.5000	4.2600

