

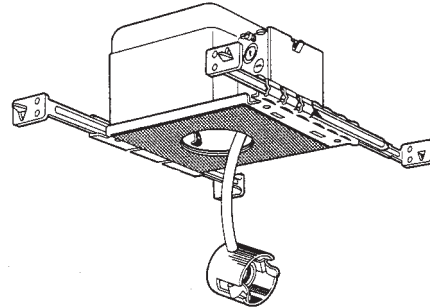
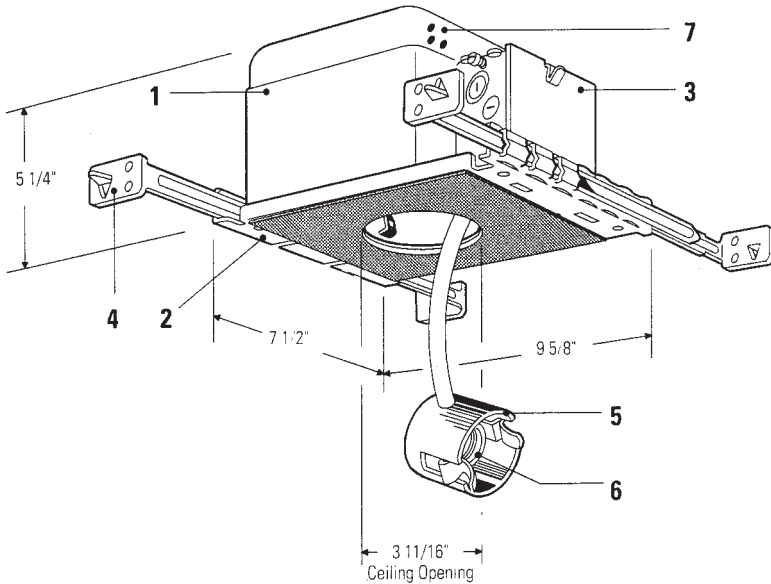
**3 3/4" Aperture
Incandescent Insulated Ceiling
AirSeal® Frame-In Kit**

**Lytecaster®
Recessed
Downlighting**

2000AIC

C0101

TYPE:



FRAME-IN KIT



REFLECTOR TRIM

Complete Fixture consists of REFLECTOR TRIM & FRAME-IN KIT. Select each separately.

Frame - In Kit	Reflector Trims - See Individual Reflector Trim Specification Sheets				
	Open Downlight			Adjustable	Eyeball
	Alzak® Cone	Baffles	Satin Cone		
<input type="checkbox"/> 2000AIC	<input type="checkbox"/> 2012 <input type="checkbox"/> 2013 <input type="checkbox"/> 2013BK <input type="checkbox"/> 2013WH	<input type="checkbox"/> 2005 <input type="checkbox"/> 2005WH	<input type="checkbox"/> 2008 <input type="checkbox"/> 2010	<input type="checkbox"/> 2027 <input type="checkbox"/> 2027WH <input type="checkbox"/> 2029WH <input type="checkbox"/> 2029BK <input type="checkbox"/> 2029CL <input type="checkbox"/> 2029GD	<input type="checkbox"/> 2022 <input type="checkbox"/> 2022WH

Features

- Housing:** .032" aluminum. UL Listed for direct contact with thermal insulation. AirSeal® Housing minimizes air leakage to less than 2 CFM at 1.57 PSF, which complies with Model Energy Code (Section 602.3.3) and the Washington State Energy Code (Section 502.4) and reduces heat loss and condensation on ceiling. Access door for inspection of junction box.
- Mounting Frame:** .036" (#20 ga.) galvanized steel. Accommodates all ceilings up to 1" thick. Push-in/twist-out rotoclips hold reflector flush to ceiling.
- Junction Box:** 4" X 3 1/2" X 2"; .063" (#14 ga.) galvanized steel. UL listed for maximum of 4 No. 12 ga. 90° C through branch circuit conductors. Access door inside of housing allows easy inspection of wiring without removal of housing. Integral cable clamps permit attachment of nonmetallic Romex® or armored cable without need of additional connectors.
- Mounting Bars:** .059" (#16 ga.) galvanized steel. 13" long bars extend to 27" with integral nailing tabs. Attaches to wood joist without need of accessories.
- Socket Housing:** .036" (#20 ga.) galvanized steel.

- Socket:** Porcelain medium base; nickel plated screw shell. Pre-wired with #18 ga. SF1 leads to junction box.
- Thermal Protector:** Meets NEC and UL requirements.

Options and Accessories

- Mounting Bars:** 1964 - 20" set of (2)
T-Bar Ceiling Clips: 1956 - set of (4)
Concealed Spline Ceiling Kit: 1965 - set of (4), 1 1/2" to 2 1/2" Mtg. Ht.
Plaster Ceiling Ring: 1959 - 7/8" depth for wet plaster ceilings
277V Remote Step Down Transformer: 1997 - 277V down to 120V
 300W max. load.
Extra Thick Ceiling Mounting Ring: 1967C

Labels

UL (Suitable for Damp Locations); I.B.E.W.
 U.S. Patent Nos.: 5,045,985; 4,313,154;
 Complies with Air Leakage Requirements as stated in the Model Energy Code and the Washington State Energy Code.

WE RESERVE THE RIGHT TO CHANGE DETAILS OF DESIGN, MATERIALS, AND FINISH.

Alzak® is a registered trademark of The Aluminum Company of America. Romex® is a registered Trademark of General Cable Industries Inc.

LIGHTOLIER a GENLYTE THOMAS company.
 631 Airport Road, MA 02720
 (508) 679-8131 • Fax (508) 674-4710

Copyright 2001

LIGHTOLIER®