

The Gardco SSA hinged base aluminum pole consists of a one-piece round extruded aluminum lighting standard welded to a cast aluminum base plate. This top plate/pole assembly is attached on-site to the lower base with removeable pivot pins. This construction allows for easy installation and servicing of the attached luminaires without the need for a ladder or bucket truck. The poles are finished with either Architectural Class 1 anodizing or electrostatically applied TGIC polyester powdercoat.

Project: _____
 Location: _____
 Cat.No: _____
 Type: _____
 Lamps: _____ Qty: _____
 Notes: _____

Ordering Guide

example: SSA4-HB-15-D1-BRP

Prefix	Base	Height	Drilling	Finish	Options
SSA4	HB	8	D1 1 Way	BRP Bronze Paint BLP Black Paint WP White Paint NP Natural Aluminum Paint OC Optional Color Paint (Specify RAL designation ex: OC-RAL7024) SC Special Color Paint (Specify. Must supply color chip.)	DR Duplex Receptacle GFCI Ground Fault Receptacle VDA Vibration Dampener AHH Additional Hand Hole Nipples and Couplings NL Nipple - External thread CL Coupling - Internal thread Indicate size (1/2", 3/4", 1", 1 1/4", 1 1/2".) Indicate height above base and orientation to hand hole. See Pole Orientation Information on Page 4. Single Mount Bullhorn Brackets A15BH-19 Single - 1.9" OD A15BH-24 Single - 2.4" OD A215BH-19 2-Tenon - 1.9" OD A215BH-24 2-Tenon - 2.4" OD Indicate height above base and orientation to hand hole. See Pole Orientation Information on Page 4. Motion Response Provisions MSM Motion Sensor Mounting Provision for LED Luminaires available with Motion Response Minimum Pole Height is 18'. Includes a special hand hole with 1/2" coupling placed in the cover plate, 180° to the hand hole, 15' above the pole base.
		10	D2 2 Way		
		12	D2@90 2 Way at 90°		
		15	D3 3 Way		
		16	D4 4 Way		
		18	T2 2 3/8" OD Tenon T4 4" OD Tenon		
SSA5		20			

Enter the order code into the appropriate box above. Note: Gardco reserves the right to refuse a configuration. Not all combinations and configurations are valid. Refer to notes below for exclusions and limitations. For questions or concerns, please consult the factory.

Poles Straight Square Aluminum - Hinged Base

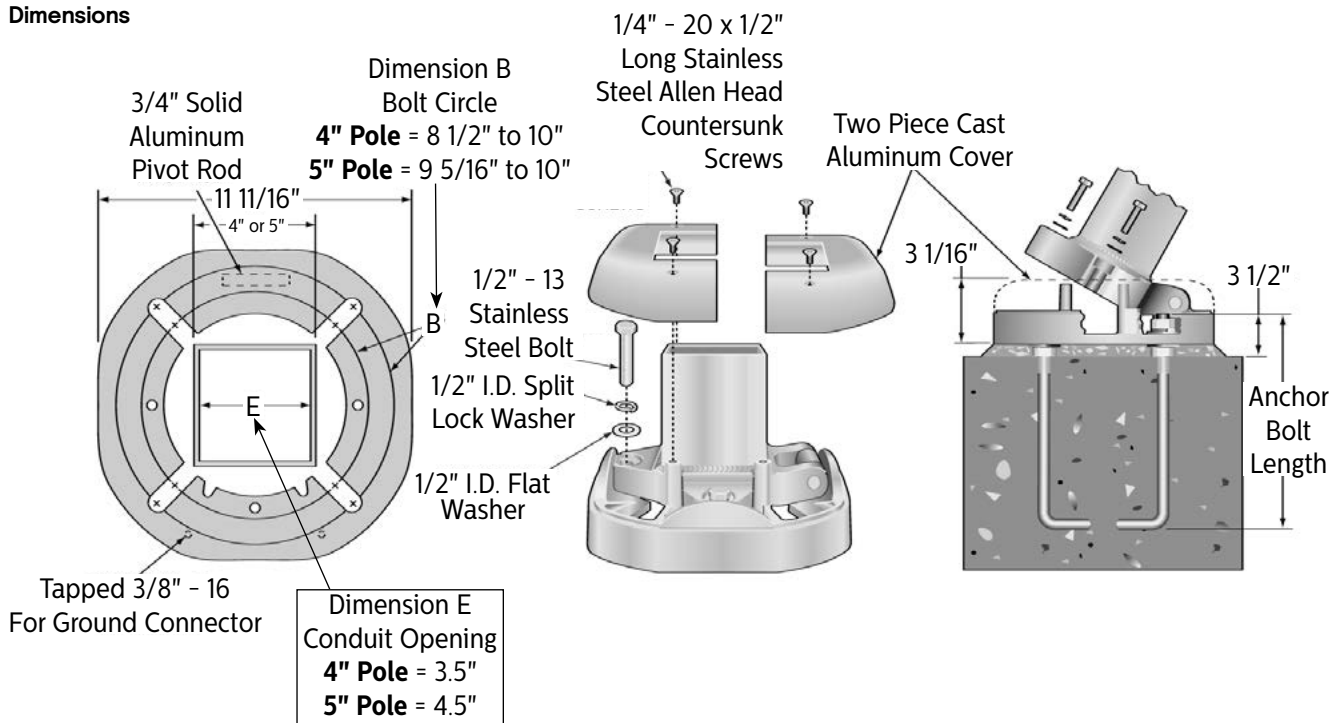
Pole Data

Catalog Number	Poles Specs			Maximum Luminaire Loading ¹									Anchor Bolt Data ²		
				High Wind Conditions						Normal Wind Conditions					
				130 MPH		120 MPH		110 MPH		100 MPH	90 MPH	80 MPH			
Product Catalog Number	Height (ft)	Pole Diameter (inches)	Wall Thickness (inches)	EPA ft ²	Max Weight (lbs)	EPA ft ²	Max Weight (lbs)	EPA ft ²	Max Weight (lbs)	EPA ft ²	EPA ft ²	EPA ft ²	Bolt Circle (inches)	Bolt Size (inches)	Max Proj. (inches)
SSA4-HB-8	8	4	0.125	-	-	-	-	-	-	11.9	15.2	19.9	8.5 - 10	3/4 x 17 x 3	3.5
SSA4-HB-10	10	4	0.125	-	-	-	-	-	-	8.8	11.4	15.2	8.5 - 10	3/4 x 17 x 3	3.5
SSA4-HB-12	12	4	0.125	-	-	-	-	-	-	6.3	8.5	11.5	8.5 - 10	3/4 x 17 x 3	3.5
SSA4-HB-15	15	4	0.125	-	-	-	-	-	-	2.8	4.2	6.2	8.5 - 10	3/4 x 17 x 3	3.5
SSA4-HB-16	16	4	0.125	-	-	-	-	-	-	2.1	3.4	5.3	8.5 - 10	3/4 x 17 x 3	3.5
SSA4-HB-18	18	4	0.188	-	-	-	-	-	-	3.3	5	7.4	8.5 - 10	3/4 x 17 x 3	3.5
SSA5-HB-20	20	5	0.188	-	-	-	-	-	-	5	7.6	11.2	9.32 - 10	3/4 x 17 x 3	3.5

* **Warning:** Additional wind loading, in terms of EPA, from banners, cameras, floodlights and other accessories attached to the pole, must be added to the luminaire(s) EPA before selecting the pole with the appropriate wind load capability.

** Factory supplied template must be used when setting anchor bolts. Gardco will not honor any claim for incorrect anchorage placement resulting from failure to use factory supplied templates.

Dimensions



NOTE: Factory supplied template must be used when setting anchor bolts. Gardco will not honor any claim for incorrect anchorage placement from failure to use factory supplied templates.

Poles Straight Square Aluminum – Hinged Base

Specifications

POLE SHAFT

The pole shaft shall be extruded from all new 6005 alloy aluminum tubing.

UNIVERSAL HINGED BASE

The universal hinged anchor base is cast from A356 alloy aluminum. The shaft shall be inserted into the tilting section of the hinged base and shall be joined to it by continuous circumferential welds at the outside top and inside bottom of that section. The tilted and anchored sections of the hinged base shall be joined by a 3/4" diameter solid aluminum pivot rod. The tilting section of the hinged base shall be held in

a vertical position by (3) 1/2" - 13 x 2" stainless steel hex head bolts. These bolts shall attach to stainless steel inserts cast into the aluminum base. The completed assembly shall be heat treated to a T6 condition.

ANCHOR BOLTS

Anchor bolts are fabricated from a commercial quality hot rolled carbon steel bar that meets or exceeds a minimum guaranteed yield strength of 50,000 psi. Bolts have an "L" bend on one end and threaded on the opposite end. Anchor bolts are completely hot dipped galvanized. Four (4) properly sized bolts, each furnished with two (2) regular hex nuts and two

(2) flat washers, are provided per pole (priced separately), unless otherwise specified.

HAND HOLE

The hand hole has a nominal rectangular 2" x 4" (4") or 2 1/2" x 4" (5") inside opening in the pole shaft and tenon assembly. Included is an aluminum cover plate with attachment screws. The hand hole is centered 12" above the bottom of the pole on 4" poles and 14" above the bottom of the pole on 5" poles, both 180° opposite the hinge.

BASE COVER

A two-piece, heavy wall cast aluminum cover completely

conceals the entire base plate and anchorage. The base cover is secured to the base assembly with four (4) stainless steel fasteners.

POLE TOP CAP

Each pole assembly is provided with a removable pole top cap.

FINISH

Poles are available with bronze, natural or black Aluminum Association Architectural Class 1 anodized finish. Electrostatically applied, thermally cured TGIC polyester powdercoat finish or liquid polyurethane is also available.

General Pole Information

DESIGN

The poles as charted are designed to withstand dead loads and predicted dynamic loads developed by variable wind speeds with an additional 30% gust factor under the following conditions: The charted weights include luminaire(s) and/or mounting bracket(s). The wind velocities are based on 10 mph increments from 80 mph through 100 mph. Poles to be located in areas of known abnormal conditions may require special consideration. For example: coastal areas, airports and areas of special winds.

Poles are designed for ground mounted applications. Poles mounted on structures (such as buildings and bridges) may also necessitate special consideration requiring Gardco's recommendation. Height correction factors and drag coefficients are applied to the entire structure. An appropriate safety factor is maintained based on the minimum yield strength of the material incorporated in the pole.

WARNING

This design information is intended as a general guideline only. The customer is solely

responsible for proper selection of pole, luminaire, accessory and foundation under the given site conditions and intended usage. The addition of any items to the pole, in addition to the luminaire, will dramatically impact the EPA load on that pole. It is strongly recommended that a qualified professional be consulted to analyze the loads given the user's specific needs to ensure proper selection of the pole, luminaire, accessories, and foundation. Gardco assumes no responsibility for such proper analysis or product selections. Failure to insure proper site analysis, pole selection, loads and installation can result in

pole failure, leading to serious injury or property damage.

GENERAL INFORMATION

Mounting height is the vertical distance from the base of the lighting pole to the center of the luminaire arm at the point of luminaire attachment. Twin arms as charted are oriented at 180° with respect to each other. For applications of two (2) arms at 90° or other multiple arm applications, consult the factory.

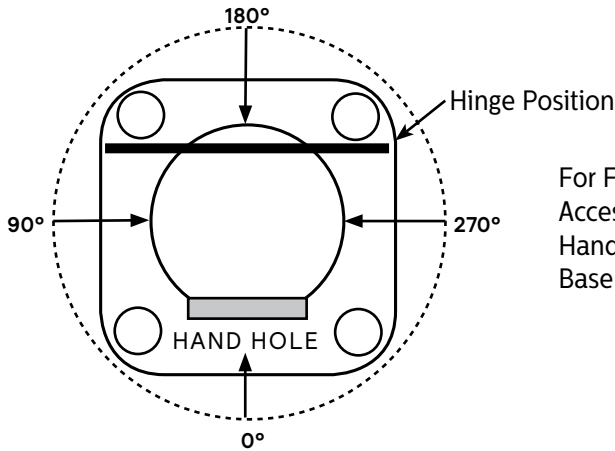
WARRANTY

Gardco poles feature a 1 year limited warranty. See Warranty Information on www.signify.com/warranties for complete details and exclusions.

Poles Straight Square Aluminum - Hinged Base

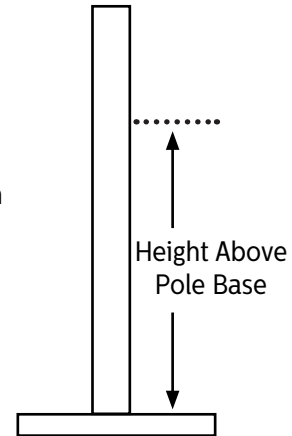
Orientation Information

Factory installed options and accessories



Orientation is measured clockwise from the Hand Hole Center.

For Factory Installed Options and Accessories, Specify Orientation from Hand Hole and Height Above Pole Base Where Required.



Standard arm mount luminaire orientation

