

Day-Brite

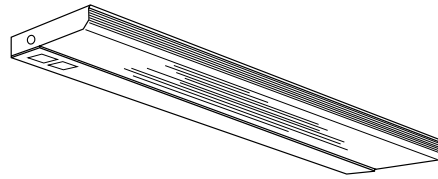
CFI

by Signify

Linear

Valueline SL
undercabinet

T8



Project: _____
Location: _____
Cat.No: _____
Type: _____
Lamps: _____ Qty: _____
Notes: _____

Day-Brite / CFI Valueline CU undercabinet is an economical T8 luminaire with electronic ballast. It is available in 18", 24", 36", and 48" lengths.

Ordering guide

Example: CU32 A-UNV-EB-LP

Family	Lamping	Lens	Voltage	Options
<input type="text" value="CU"/>		<input type="text" value="A"/> -	<input type="text" value="120"/> -	<input type="text" value="LP"/>
CU	158 15WT8 (18") 17 17WT8 (24") 25 25WT8 (36") 32 32WT8 (48")	A Acrylic	120 120V	LP Lamp provided (4100K)

Replacement Lenses (order separately)

Lens cat. #	Product
• LCU18	CU158
• LCU24	CU17
• LCU36	CU25
• LCU48	CU32



CU Valueline undercabinet

T8

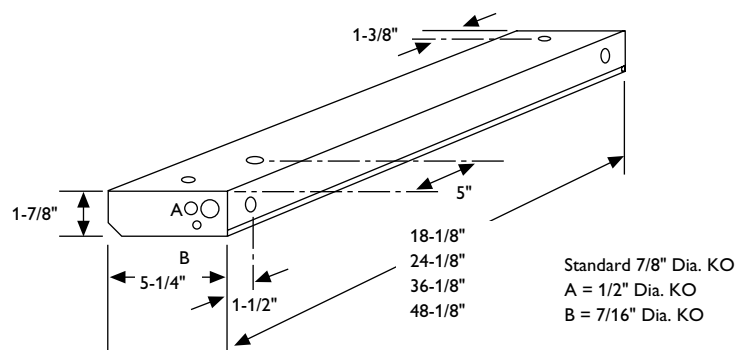
Construction/Finish

- Finish is baked white enamel.
- Lens is white acrylic.
- 1-7/8" depth provides an unobtrusive light source for a variety of task lighting applications.

Electrical

- Rocker switch and convenience outlet supplied (for 120V only). Shipped loose.
- cULus listed for damp locations.
- 841 4100K color temperature T8 lamp included.
- Available in one lamp T8 model only.
- Available with 120V only or 120/277V universal electronic ballast.

Dimensions



Some luminaires use fluorescent or high intensity discharge (HID) lamps that contain small amounts of mercury. Such lamps are labeled, "Contain Mercury" and/or the symbol "HG". Lamps that contain mercury must be disposed of in accordance with local requirements. Information regarding lamp recycling and disposal can be found at www.lamprecycle.org

