



Project: _____

Location: _____

Cat.No: _____

Type: _____

Lamps: _____ Qty: _____

Notes: _____

Integrated module

Ordering guide

Example: i2.5NSPW

| Series | Finish | Optics | CCT |
|------------------------------|------------------------------|---|--------------------------------|
| i2.5 | | | |
| i2.5 Inground with Trim Ring | N Natural Cast Bronze | SP Spot NF Narrow Flood FL Flood | W Warm C Cool |

Features

- LED module

LED module

4,000K CCT or 3,000K CCT. Approx. 50,000 hours of operational life (at 25°C ambient temperature and 70% lumen maintenance). >80CRI

Aiming

Offers 15° either side of vertical and full 360° rotation. Angle degree marks for precise vertical aiming with tool-less aiming.

Housing

Single-piece compression molded, fiberglass reinforced polyester composite housing. Separate sealed compartments. Potted factory seal with anti-wicking wiring. Hinged lens ring with captive lens and fasteners. Only two fasteners required to secure lens ring. UL Listed silicone-filled wire nuts provided—no encapsulant required.

Trim (supplied standard)

Natural cast bronze secured with stainless steel screws.

Gasket

Single-piece wrap around molded 100% silicone for lens assembly. Gasket for J-box cover is single-piece die-cut neoprene.

Finish

Natural Cast Bronze has satin matte finish and will age over time.

Lens

Clear convex, tempered borosilicate for high-impact resistance. 3,000 lb live-load rated, drive-over.

Optics

Available with spot, narrow flood or flood beam pattern.

Electrical

LED module is a key-slotted ballast assembly with quick disconnects mounted to cast aluminum bracket for easy maintenance. e-Vision electronic ballasts automatically detect 120-277 volts, 50/60 Hz.

IP68 rating

Dust-tight and dual rated – sealed against direct jets of water and against continuous immersion up to a depth of 1 meter (3.28 feet).

i2.5

Composite inground

Electrical Assembly

120 VAC input; 50-60Hz.

ADA compliant

Compliant when used in concrete and flush-mounted with CPS15.

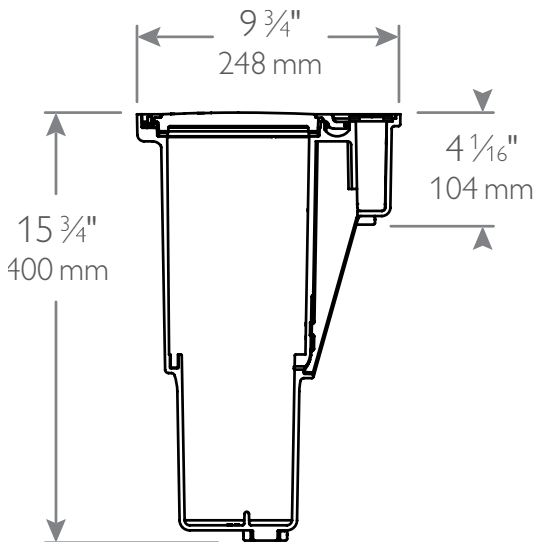
Optical Assembly

Clear, slightly convexed, molded borosilicate glass, high impact, 3000 lb. live load rated, drive-over glass, with molded wrap around 100% silicone lens gasket. Integral collimating spot (10°) optics. Integral collimating narrow flood (26°) optics. Integral collimating wide flood (38°) optics. Clear tempered glass affixed at 10° angle for natural cleaning. Sealed optical chamber. Aiming 15° either side of vertical and full 360° rotation. Angle degree marks for precise vertical aiming with tool-less LOC-AIM®. Handle enables easy tool-less removal of optical assembly for hot aiming and re-lamping, simply press-fit back into place.

Labels

ETL and cETL listed. Suitable for wet locations. Manufactured to ISO 9001:2008 Standards. 10-year limited warranty.

Dimensions



© 2020 Signify Holding. All rights reserved. The information provided herein is subject to change, without notice. Signify does not give any representation or warranty as to the accuracy or completeness of the information included herein and shall not be liable for any action in reliance thereon. The information presented in this document is not intended as any commercial offer and does not form part of any quotation or contract, unless otherwise agreed by Signify.

Signify North America Corporation
200 Franklin Square Drive,
Somerset, NJ 08873
Telephone 855-486-2216

Signify Canada Ltd.
281 Hillmount Road,
Markham, ON, Canada L6C 2S3
Telephone 800-668-9008

All trademarks are owned by Signify Holding or their respective owners.