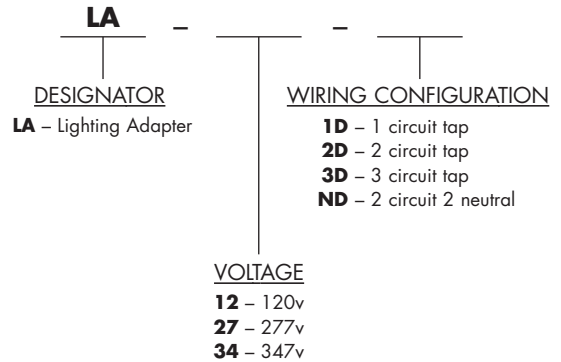
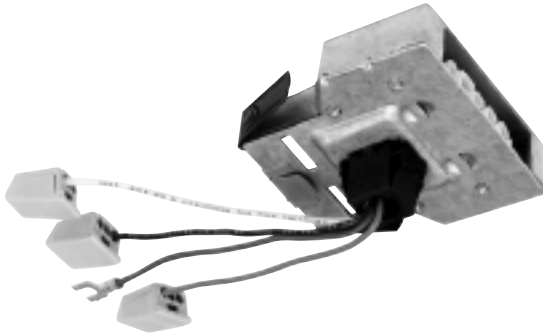


**LIGHTING ADAPTERS
"D" SERIES**

SAMPLE CATALOG NUMBER: LA-27-2D



APPLICATION

- The lighting adapter is the link between (LC) cables and the luminaire ballast(s).
- It mounts directly to the luminaire body without modification by snapping into a standard 1/2" K.O. (7/8" diameter).
- Adapter can be rotated for ease of cable orientation to prevent a strain on the connection.

ELECTRICAL

- UL/cUL listed.

CONSTRUCTION

- Adapter is 2-13/16"x 2-13/16"x 13/16" installed.
- Male (power-in) and female (power-out) configuration.
- Die cast housing with zinc plated steel cover plate.
- Lighting adapters can be wired for single or multi-level use.
- Thru-wired for three circuits.
- Type 4D adapter wires are #18 AWG TFN solid copper conductors, 600 volt, terminating in a "Poke Home" connector for easy connection to ballast leads.
- Type 4D adapter enables luminaire to be field-wired with no wirenut connections.

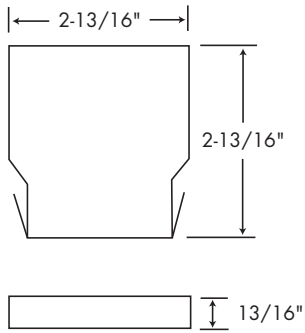
Job Name:

Catalog Number:

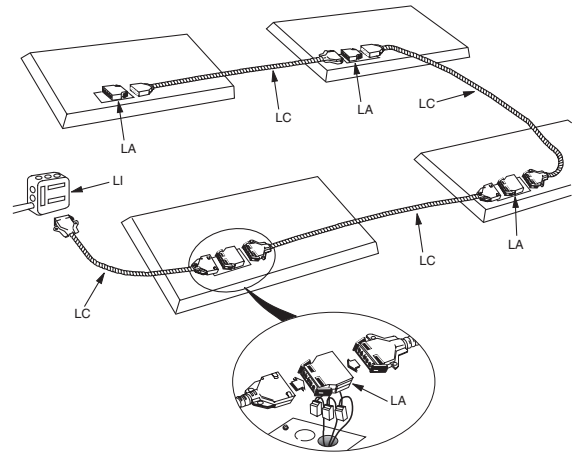
Type:

Notes:

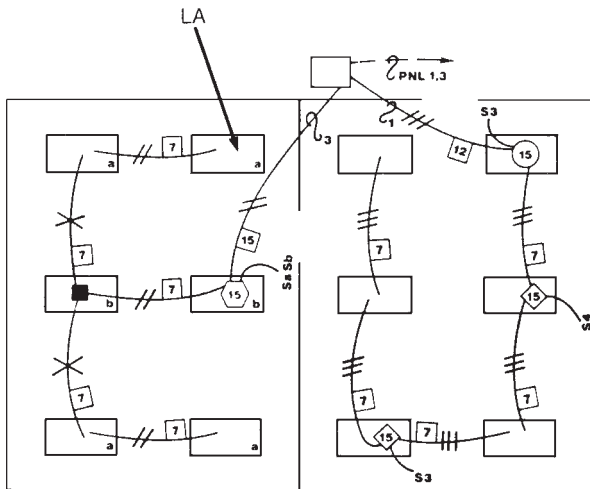
DIMENSIONS



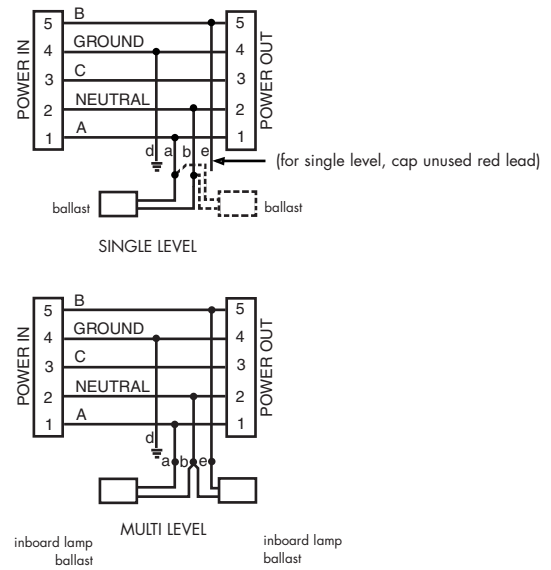
APPLICATION



WIRING



WIRING DIAGRAM



TAPS	LEADS
a	black
b	white
c	blue
d	green
e	red