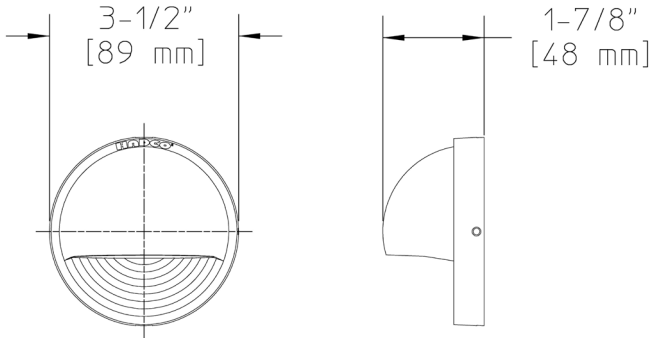


Project: _____
 Location: _____
 Cat.No: _____
 Type: _____
 Lamps: _____ Qty: _____
 Notes: _____



Ordering Guide

Example: DAL1 A

Product Code	DAL1	Aluminum Deck Light
Finish	A	Black
	B	White
	G	Verde
	H	Bronze

Specifications

HOUSING:

Body and mounting plate are cast aluminum construction. Fasteners are 300 series stainless steel.

FINISH:

Thermoset polyester powdercoat is electrostatically applied after a five-stage conversion cleaning process and bonded by heat fusion thermosetting. Laboratory tested for superior weatherability and fade resistance in accordance with ASTM B117 specifications.

OPTICAL ASSEMBLY:

Frosted, annealed glass lens Reflector is Stamped Hammertone Aluminum

LAMPING:

10W maximum T3 bi-pin lamp. Lower wattage lamps are acceptable. 10W T3 lamp is included with fixture.

ELECTRICAL ASSEMBLY:

Bi-pin socket type (G4) with 250° C high temperature teflon coated wire leads. 12 volt fixture is pre-wired with 6-ft. pigtail of 18-2 AWG, 105° C, SPT-1W wire. 12 Volt system requires remote transformer, not included.

INSTALLATION & MOUNTING:

Two (2) Stainless #8 wood screws (supplied) via key slots.

WARRANTY:

Three-year limited warranty.

CERTIFICATIONS:

ETL listed to U.S. safety standards for wet locations. cETL listed to Canadian safety standards for wet locations. Manufactured to ISO 9001:2008 Standards.

Height :	Width:	Depth:	Max. Weight:
3 1/2" (89mm)	3 1/2" (89mm)	1 7/8" (48mm)	0.30 lb

