

Long-lasting, reliable solution

HID-Basic BSX for SOX

Impregnated electromagnetic copper/iron ballasts for use with an external ignitor for SOX and SOX-E lamps

Benefits

- Compact dimensions and lightweight – easy to fit in linear luminaires
- Simple installation
- Long-lasting reliable solution protected from overheating

Features

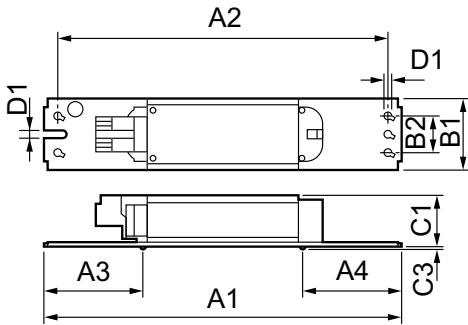
- Based on magnetic fluorescent ballast design
- Equipped with double-insert contacts
- Minimal watt losses thanks to orthocyclic winding process
- Ballasts for alternative mains voltages/frequencies available upon request

Application

- Outdoor lighting (most popular application: road lighting)

HID-Basic BSX for SOX

Dimensional drawing



Product	D1	C1	C3	A1	A2	A3	A4	B1	B2
BSX 35/55 L82 240V 50Hz	4.2	28.0	1.5	196.0	180.0	54.0	54.0	39.0	20.0
WITH BRACKET									
BSX 35/55 L82 240V 50Hz BCO-196	4.2	28.0	1.5	196.0	180.0	54.0	54.0	39.0	20.0

