



Beautiful sparkle, reliable life

MASTERColour CDM-TD

Range of double-ended, compact, high-efficiency, discharge lamps with a stable color over lifetime and a crisp, sparkling light

Benefits

- Stable color impression over lifetime
- High lamp efficacy results in low operating costs and low heat generation. Provides better operating costs and improved light quality versus standard quartz metal halide (MHN-TD)
- Long lamp life compared with incandescent, halogen and quartz metal halide (MHN-TD) lamps
- Relatively low heat output enhances comfort for shoppers and staff
- All types are UV-Block for reduced fading risks

Features

- Crisp white light
- Superior color quality
- Retrofit in double-ended luminaires for quartz metal halide lamps (MHN-TD), thereby allowing to reduce operating costs and improve color quality
- Burning position horizontal +/-45°

Application

- Shops and shop windows, offices and public buildings
- Decorative outdoor: floodlighting of facades, statues and monuments

MASTERColour CDM-TD

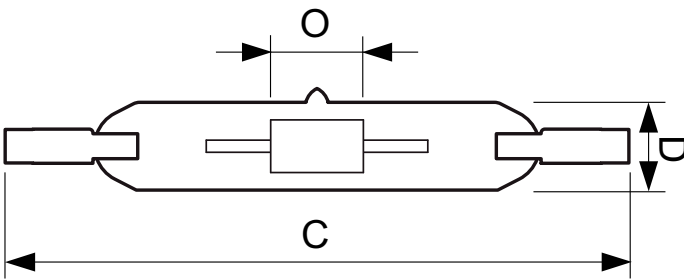
Versions



CDM-TD, 70W

CDM-TD, 150W

Dimensional drawing



Product	D (max)	D	O	C (max)
MASTERColour CDM-TD 150W/830 RX7s 1CT	25 mm	0.875 in	10 mm	137.43 mm
MASTERColour CDM-TD 70W/830 RX7s 1CT/12	22 mm	0.75 in	8 mm	119.63 mm
MASTERColour CDM-TD 150W/942 RX7s 1CT	25 mm	0.875 in	10 mm	137.43 mm
MASTERColour CDM-TD 70W/942 RX7s 1CT/12	22 mm	0.75 in	7 mm	119.63 mm

Controls and Dimming

Dimmable No

Operating and Electrical

Re-ignition Time (Min) (Max) 15 min

General Information

Cap-Base RX7S

Life To 10% Failures (Nom) 13000 h

Life To 20% Failures (Nom) 15000 h

Life To 50% Failures (Nom) 16000 h

Life To 5% Failures (Nom) 9000 h

Operating Position P45

Mechanical and Housing

Bulb Finish Clear

Approval and Application

Order Code	Full Product Name	Energy Consumption kWh/1000 h	Energy	
			Efficiency Label (EEL)	Mercury (Hg) Content (Nom)
928082205125	MASTERColour CDM-TD 70W/830 RX7s 1CT/12	78 kWh	A	3.4 mg
928084705133	MASTERColour CDM-TD 70W/942 RX7s 1CT/12	78 kWh	A	4.8 mg
928083605133	MASTERColour CDM-TD 150W/830 RX7s 1CT	160 kWh	A+	10.23 mg
928084805133	MASTERColour CDM-TD 150W/942 RX7s 1CT	165 kWh	A+	8.29 mg

Operating and Electrical (1/2)

MASTERColour CDM-TD

Order Code	Full Product Name	Lamp			
		Current (EM) (Nom)	Voltage (Max)	Voltage (Min)	Voltage (Nom)
928082205125	MASTERColour CDM-TD 70W/830 RX7s 1CT/12	0.95 A	102 V	86 V	94 V
928084705133	MASTERColour CDM-TD 70W/942 RX7s 1CT/12	0.98 A	98 V	82 V	90 V

Order Code	Full Product Name	Lamp			
		Current (EM) (Nom)	Voltage (Max)	Voltage (Min)	Voltage (Nom)
928083605133	MASTERColour CDM-TD 150W/830 RX7s 1CT	1.8 A	106 V	90 V	98 V
928084805133	MASTERColour CDM-TD 150W/942 RX7s 1CT	1.8 A	110 V	96 V	103 V

Operating and Electrical (2/2)

Order Code	Full Product Name	Power (Rated) (Nom)
928082205125	MASTERColour CDM-TD 70W/830 RX7s 1CT/12	71.0 W
928084705133	MASTERColour CDM-TD 70W/942 RX7s 1CT/12	71.0 W

Order Code	Full Product Name	Power (Rated) (Nom)
928083605133	MASTERColour CDM-TD 150W/830 RX7s 1CT	145.0 W
928084805133	MASTERColour CDM-TD 150W/942 RX7s 1CT	150.0 W

Luminaire Design Requirements

Order Code	Full Product Name	Bulb Temperature (Max)
928082205125	MASTERColour CDM-TD 70W/830 RX7s 1CT/12	500 °C
928084705133	MASTERColour CDM-TD 70W/942 RX7s 1CT/12	500 °C

Order Code	Full Product Name	Bulb Temperature (Max)
928083605133	MASTERColour CDM-TD 150W/830 RX7s 1CT	650 °C
928084805133	MASTERColour CDM-TD 150W/942 RX7s 1CT	650 °C

Light Technical (1/3)

Order Code	Full Product Name	Chromaticity		Color	
		Coordinate X (Nom)	Coordinate Y (Nom)	Code	Designation
928082205125	MASTERColour CDM-TD 70W/830 RX7s 1CT/12	0.443	0.401	830	Warm White (WW)
928084705133	MASTERColour CDM-TD 70W/942 RX7s 1CT/12	0.383	0.370	942	Cool White (CW)

Order Code	Full Product Name	Chromaticity		Color	
		Coordinate X (Nom)	Coordinate Y (Nom)	Code	Designation
928083605133	MASTERColour CDM-TD 150W/830 RX7s 1CT	0.437	0.399	830	Warm White (WW)
928084805133	MASTERColour CDM-TD 150W/942 RX7s 1CT	0.380	0.375	942	Cool White (CW)

Light Technical (2/3)

Order Code	Full Product Name	Correlated Color Temperature (Nom)		Color Rendering Index (Min)		Color Rendering Index (Nom)		Lumen Maintenance		Luminous Efficacy (rated) (Nom)
		(Nom)	(Nom)	(Min)	(Nom)	10000 h (Nom)	2000 h (Min)	2000 h (Nom)	5000 h (Min)	
928082205125	MASTERColour CDM-TD 70W/830 RX7s 1CT/12	3000 K	77	80	70 %	80 %	85 %	70 %	80 %	85 lm/W
928084705133	MASTERColour CDM-TD 70W/942 RX7s 1CT/12	4200 K	-	92	60 %	70 %	85 %	60 %	70 %	80 lm/W

MASTERColour CDM-TD

Order Code	Full Product Name	Correlated	Color			Lumen Maintenance	Lumen Maintenance	Lumen Maintenance	Lumen Maintenance	Lumen Maintenance	Luminous Efficacy (rated) (Nom)
		Color Temperature (Nom)	Color Rendering Index (Min)	Color Rendering Index (Nom)	10000 h (Nom)						
928083605133	MASTERColour CDM-TD 150W/830 RX7s 1CT	3000 K	-	88	75 %	80 %	90 %	75 %	85 %	91 lm/W	
928084805133	MASTERColour CDM-TD 150W/942 RX7s 1CT	4200 K	-	96	70 %	80 %	90 %	75 %	85 %	87 lm/W	

Light Technical (3/3)

Order Code	Full Product Name	Luminous Flux (Nom)	Luminous Flux (Rated) (Nom)
928082205125	MASTERColour CDM-TD 70W/830 RX7s 1CT/12	6000 lm	6000 lm
928084705133	MASTERColour CDM-TD 70W/942 RX7s 1CT/12	5600 lm	5600 lm

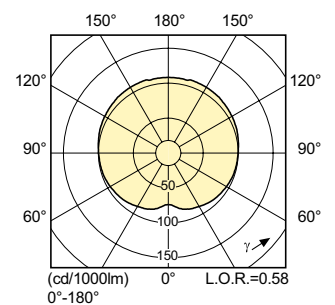
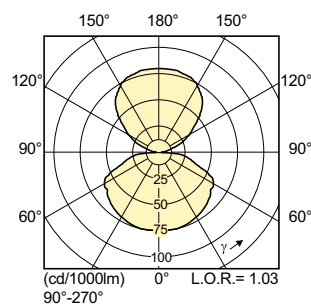
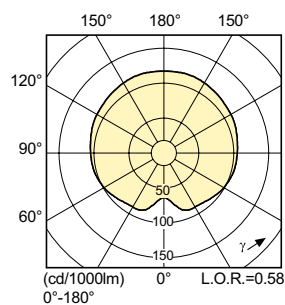
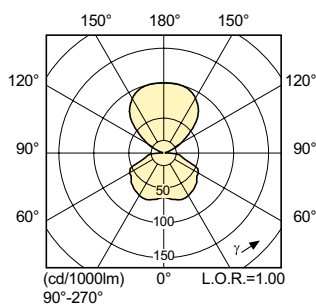
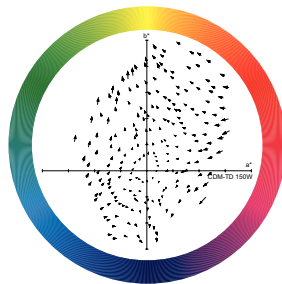
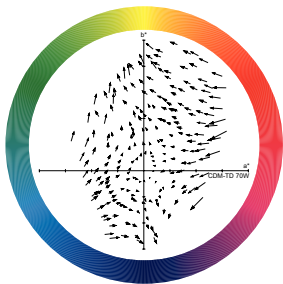
Order Code	Full Product Name	Luminous Flux (Nom)	Luminous Flux (Rated) (Nom)
928083605133	MASTERColour CDM-TD 150W/830 RX7s 1CT	13250 lm	13250 lm
928084805133	MASTERColour CDM-TD 150W/942 RX7s 1CT	13750 lm	13750 lm

Mechanical and Housing

Order Code	Full Product Name	Bulb Shape
928082205125	MASTERColour CDM-TD 70W/830 RX7s 1CT/12	T22
928084705133	MASTERColour CDM-TD 70W/942 RX7s 1CT/12	T22

Order Code	Full Product Name	Bulb Shape
928083605133	MASTERColour CDM-TD 150W/830 RX7s 1CT	T25
928084805133	MASTERColour CDM-TD 150W/942 RX7s 1CT	T25

Color Rendering Diagrams



MASTERColour CDM-TD

