



# Perfect sparkle, unrivalled efficiency

## MASTERColour CDM-T Elite

Single-ended, very high-efficiency, long-life Ceramic Metal Halide discharge lamp producing crisp white sparkling light with high color rendering

### Benefits

- High-intensity beam of crisp white sparkling light makes merchandise look irresistible
- Stable color and lumen output over life keeps your store attractive season after season
- Lowest Total Cost of Ownership as a result of high efficacy (same light, less energy or same energy, more light) and long life

### Features

- Crisp white sparkling light
- Excellent color rendering, with extra red
- High efficacy with unparalleled lumen maintenance
- Stable color performance over lifetime
- UV-blocking glass

### Application

- Accent and display lighting in retail
- General and decorative indoor lighting
- Outdoor area lighting

# MASTERCLOUR CDM-T Elite

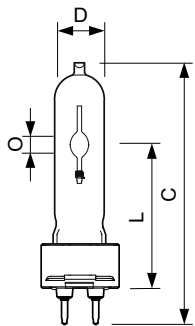
## Warnings and Safety

- Use only in totally enclosed luminaire, even during testing (IEC61167, IEC 62035, IEC60598)
- The luminaire must be able to contain hot lamp parts if the lamp ruptures
- Use only with electronic control gear. 35W & 70W lamps may also use electromagnetic gear.
- Control gear must include end-of-life protection (IEC61167, IEC 62035)
- A lamp breaking is extremely unlikely to have any impact on your health. If a lamp breaks, ventilate the room for 30 minutes and remove the parts, preferably with gloves. Put them in a sealed plastic bag and take it to your local waste facilities for recycling. Do not use a vacuum cleaner.

## Versions



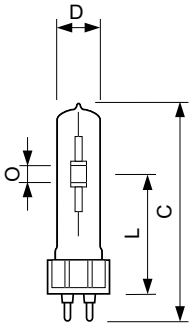
## Dimensional drawing



Product	D (max)	O	L (min)	L (max)	L	C (max)
MASTERColour CDM-T Elite 50W/930 G12 1CT/12	20 mm	6 mm	55 mm	57 mm	56 mm	103 mm
MASTERColour CDM-T Elite 70W/942 G12 1CT	20 mm	7.75 mm	55 mm	57 mm	56 mm	103 mm
MASTERColour CDM-T Elite 35W/930 G12 1CT/12	20 mm	4.8 mm	55 mm	57 mm	56 mm	103 mm
MASTERColour CDM-T Elite 35W/930 G12 1CT/12	20 mm	4.8 mm	55 mm	57 mm	56 mm	103 mm
MASTERColour CDM-T Elite 35W/942 G12 1CT	20 mm	5.2 mm	55 mm	57 mm	56 mm	103 mm
MASTERColour CDM-T Elite 70W/930 G12 1CT/12	20 mm	7.15 mm	55 mm	57 mm	56 mm	103 mm
MASTERColour CDM-T Elite 70W/930 G12 1CT/12	20 mm	7.15 mm	55 mm	57 mm	56 mm	103 mm
MASTERColour CDM-T Elite 50W/942 G12 1CT	20 mm	7.1 mm	55 mm	57 mm	56 mm	103 mm

# MASTERCcolour CDM-T Elite

## Dimensional drawing



Product	D (max)	O	L (min)	L (max)	L	C (max)
MASTERColour CDM-T Elite 150W/930 G12 1CT/12	20 mm	9 mm	55 mm	57 mm	56 mm	110 mm

Approval and Application	
Energy Efficiency Label (EEL)	A+
Controls and Dimming	
Dimmable	No
Operating and Electrical	
Re-ignition Time (Min) (Max)	15 min
General Information	
Cap-Base	G12
Mechanical and Housing	
Bulb Finish	Clear
Bulb Shape	T19

## Approval and Application

Order Code	Full Product Name	Energy Consumption kWh/ 1000 h	Mercury (Hg) Content (Nom)
20159500	MASTERColour CDM-T Elite 50W/942 G12 1CT	55 kWh	5.7 mg
93060300	MASTERColour CDM-T Elite 50W/930 G12 1CT/12	55 kWh	6.6 mg
21312915	MASTERC CDM-T ELITE 150W/930 G12 1CT/12	164 kWh	9.5 mg
48451700	MASTERColour CDM-T Elite 35W/930 G12 1CT/12	43 kWh	4.7 mg
91137400	MasterC CDM-T Elite 35W/930 G12 1CT/12	43 kWh	4.7 mg

Order Code	Full Product Name	Energy Consumption kWh/ 1000 h	Mercury (Hg) Content (Nom)
48453100	MASTERColour CDM-T Elite 35W/942 G12 1CT	43 kWh	4.9 mg
48455500	MASTERColour CDM-T Elite 70W/930 G12 1CT/12	80 kWh	6.6 mg
91141100	MASTERColour CDM-T Elite 70W/930 G12 1CT/12	80 kWh	6.6 mg
48457900	MASTERColour CDM-T Elite 70W/942 G12 1CT	80 kWh	6.6 mg

## Operating and Electrical

Order Code	Full Product Name	Lamp Current (EM) (Nom)	Voltage (Max)	Voltage (Min)	Voltage (Nom)	Power (Rated) (Min)	Power (Rated) (Nom)
20159500	MASTERColour CDM-T Elite 50W/942 G12 1CT	-	97 V	85 V	91 V	50.0 W	50 W
93060300	MASTERColour CDM-T Elite 50W/930 G12 1CT/12	-	96 V	84 V	90 V	50.0 W	50 W

## MASTERCcolour CDM-T Elite

Order Code	Full Product Name	Lamp Current (EM)			Voltage (Max)	Voltage (Min)	Voltage (Nom)	Power (Rated) (Min)	Power (Rated) (Nom)
		(Nom)							
21312915	MASTERC CDM-T ELITE 150W/930 G12 1CT/12	-			98 V	86 V	92 V	-	149 W
48451700	MASTERCcolour CDM-T Elite 35W/930 G12 1CT/12	0.500 A			90 V	80 V	85 V	-	39.0 W
91137400	MasterC CDM-T Elite 35W/930 G12 1CT/12	0.500 A			90 V	80 V	85 V	-	39.0 W
48453100	MASTERCcolour CDM-T Elite 35W/942 G12 1CT	0.51 A			96 V	84 V	90 V	-	39.0 W
48455500	MASTERCcolour CDM-T Elite 70W/930 G12 1CT/12	1 A			90 V	79 V	85 V	-	73 W
91141100	MASTERCcolour CDM-T Elite 70W/930 G12 1CT/12	1 A			90 V	79 V	85 V	-	73 W
48457900	MASTERCcolour CDM-T Elite 70W/942 G12 1CT	0.97 A			93 V	81 V	87 V	-	73 W

### General Information

Order Code	Full Product Name	Life To				Operating Position
		10% Failures (Nom)	20% Failures (Nom)	50% Failures (Nom)	5% Failures (Nom)	
20159500	MASTERCcolour CDM-T Elite 50W/942 G12 1CT	10000 h	12000 h	15000 h	9000 h	UNIVERSAL
93060300	MASTERCcolour CDM-T Elite 50W/930 G12 1CT/12	14000 h	16000 h	20000 h	12000 h	UNIVERSAL
21312915	MASTERC CDM-T ELITE 150W/930 G12 1CT/12	10000 h	11000 h	12000 h	9000 h	P10
48451700	MASTERCcolour CDM-T Elite 35W/930 G12 1CT/12	14000 h	16000 h	20000 h	12000 h	UNIVERSAL
91137400	MasterC CDM-T Elite 35W/930 G12 1CT/12	14000 h	16000 h	20000 h	12000 h	UNIVERSAL
48453100	MASTERCcolour CDM-T Elite 35W/942 G12 1CT	10000 h	12000 h	15000 h	9000 h	UNIVERSAL
48455500	MASTERCcolour CDM-T Elite 70W/930 G12 1CT/12	14000 h	16000 h	20000 h	12000 h	UNIVERSAL
91141100	MASTERCcolour CDM-T Elite 70W/930 G12 1CT/12	14000 h	16000 h	20000 h	12000 h	UNIVERSAL
48457900	MASTERCcolour CDM-T Elite 70W/942 G12 1CT	10000 h	12000 h	15000 h	9000 h	UNIVERSAL

### Luminaire Design Requirements

Order Code	Full Product Name	Bulb Temperature (Max)	Order Code	Full Product Name	Bulb Temperature (Max)
20159500	MASTERCcolour CDM-T Elite 50W/942 G12 1CT	500 °C	48453100	MASTERCcolour CDM-T Elite 35W/942 G12 1CT	500 °C
93060300	MASTERCcolour CDM-T Elite 50W/930 G12 1CT/12	500 °C	48455500	MASTERCcolour CDM-T Elite 70W/930 G12 1CT/12	500 °C
21312915	MASTERC CDM-T ELITE 150W/930 G12 1CT/12	650 °C	91141100	MASTERCcolour CDM-T Elite 70W/930 G12 1CT/12	500 °C
48451700	MASTERCcolour CDM-T Elite 35W/930 G12 1CT/12	500 °C	48457900	MASTERCcolour CDM-T Elite 70W/942 G12 1CT	500 °C
91137400	MasterC CDM-T Elite 35W/930 G12 1CT/12	500 °C			

### Light Technical (1/2)

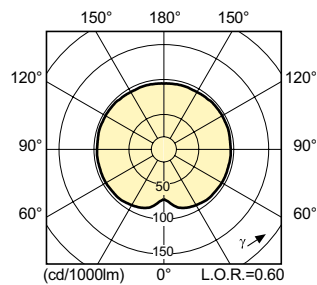
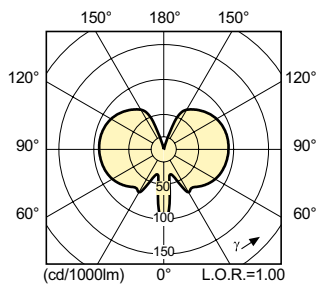
Order Code	Full Product Name	Chromaticity Coordinate X (Nom)	Chromaticity Coordinate Y (Nom)	Colour		Correlated Colour Temperature (Nom)	Colour Rendering Index (Min)	Colour Rendering Index (Nom)
				Code	Colour Designation			
20159500	MASTERCcolour CDM-T Elite 50W/942 G12 1CT	0.363	0.361	942	Cool White (CW)	4200 K	87	90
93060300	MASTERCcolour CDM-T Elite 50W/930 G12 1CT/12	0.435	0.396	930	Warm White (WW)	3000 K	87	90
21312915	MASTERC CDM-T ELITE 150W/930 G12 1CT/12	0.443	0.391	930	Warm White (WW)	3000 K	89	92
48451700	MASTERCcolour CDM-T Elite 35W/930 G12 1CT/12	0.435	0.395	930	Warm White (WW)	3000 K	87	90
91137400	MasterC CDM-T Elite 35W/930 G12 1CT/12	0.435	0.395	930	Warm White (WW)	3000 K	87	90
48453100	MASTERCcolour CDM-T Elite 35W/942 G12 1CT	0.366	0.364	942	Cool White (CW)	4200 K	86	89
48455500	MASTERCcolour CDM-T Elite 70W/930 G12 1CT/12	0.435	0.396	930	Warm White (WW)	3000 K	87	90

# MASTERC colour CDM-T Elite

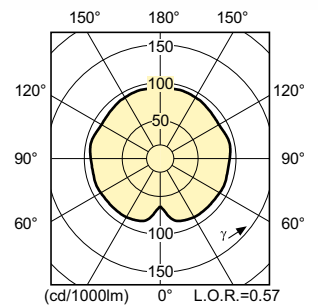
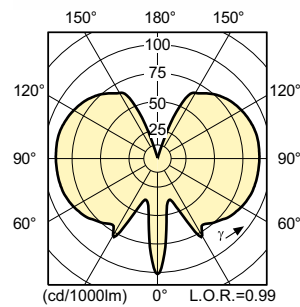
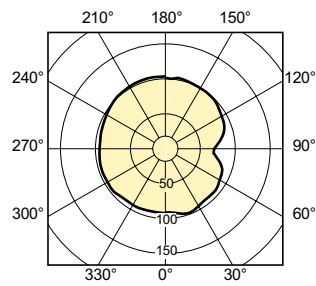
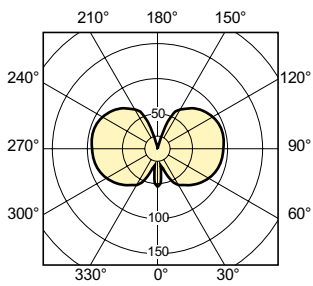
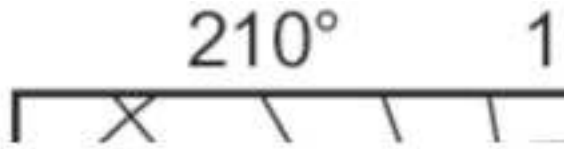
Order Code	Full Product Name	Chromaticity	Chromaticity	Colour Code	Colour Designation	Correlated Colour Temperature (Nom)	Colour	Colour
		Coordinate X (Nom)	Coordinate Y (Nom)				Rendering Index (Min)	Rendering Index (Nom)
91141100	MASTERC colour CDM-T Elite 70W/930 G12 1CT/12	0.435	0.396	930	Warm White (WW)	3000 K	87	90
48457900	MASTERC colour CDM-T Elite 70W/942 G12 1CT	0.362	0.363	942	Cool White (CW)	4200 K	88	91

## Light Technical (2/2)

Order Code	Full Product Name	Lumen	Lumen	Lumen	Lumen	Lumen	Lumen	Luminous	Luminous
		Maintenance 1000 h (Nom)	Maintenance 10000 h (Nom)	Maintenance 12000 h (Nom)	Maintenance 2000 h (Nom)	Maintenance 4000 h (Nom)	Maintenance 5000 h (Nom)	Efficacy (rated) (Nom)	Flux (Rated) (Nom)
20159500	MASTERC colour CDM-T Elite 50W/942 G12 1CT	93 %	84 %	83 %	91 %	88 %	87 %	100 lm/W	5000 lm
93060300	MASTERC colour CDM-T Elite 50W/930 G12 1CT/12	97 %	83 %	82 %	95 %	90 %	88 %	108 lm/W	5450 lm
21312915	MASTERC CDM-T ELITE 150W/930 G12 1CT/12	95 %	75 %	73 %	91 %	86 %	84 %	98 lm/W	14600 lm
48451700	MASTERC colour CDM-T Elite 35W/930 G12 1CT/12	95 %	83 %	80 %	93 %	90 %	88 %	98 lm/W	4050 lm
91137400	MasterC CDM-T Elite 35W/930 G12 1CT/12	95 %	83 %	80 %	93 %	90 %	88 %	98 lm/W	4050 lm
48453100	MASTERC colour CDM-T Elite 35W/942 G12 1CT	89 %	73 %	71 %	84 %	80 %	79 %	98 lm/W	3850 lm
48455500	MASTERC colour CDM-T Elite 70W/930 G12 1CT/12	97 %	83 %	82 %	95 %	90 %	88 %	103 lm/W	7800 lm
91141100	MASTERC colour CDM-T Elite 70W/930 G12 1CT/12	97 %	83 %	82 %	95 %	90 %	88 %	103 lm/W	7800 lm
48457900	MASTERC colour CDM-T Elite 70W/942 G12 1CT	91 %	80 %	79 %	88 %	85 %	84 %	100 lm/W	7500 lm



MASTERColour CDM-T Elite



## MASTERColour CDM-T Elite

