



The most energy-efficient reliable white light solution for Outdoor

MASTER CosmoWhite CPO-TW & CPO-TW Xtra

New-generation ceramic metal halide lamps used in Outdoor offering efficient and pleasant white light

Benefits

- Attractive white light
- Best optical efficacy allows greater spacing between luminaires, thereby reducing investment
- Highest energy saving and lowest cost of ownership

Features

- Highly efficient white light
- Long reliable lifetime combined with highest system efficacy
- Unique new burner design and positioning in combination with best lamp fixation (PGZ12) provides best optical efficacy
- Compact size: 50% smaller than SON/HPL systems
- New electronic gear platform including dimming options

Application

- Urban public lighting for city centers, residential areas and roads

Warnings and Safety

- Use only in totally enclosed luminaire, even during testing (IEC61167, IEC 62035, IEC60598)
- The luminaire must be able to contain hot lamp parts if the lamp ruptures
- Use only with electronic control gear
- Control gear must include end-of-life protection (IEC61167, IEC 62035)

MASTER CosmoWhite CPO-TW & CPO-TW Xtra

Versions

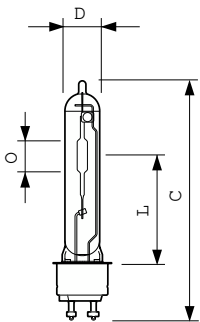


LPPR CPO-TW 0003



LPPR CPO-TW 0001

Dimensional drawing



Product	D (max)	D	O	L	C (max)
MST CosmoWh CPO-TW Xtra 140W/728 PGZ12	20 mm	19 mm	22 mm	66 mm	150 mm
MST CosmoWh CPO-TW Xtra 60W/728 PGZ12	20 mm	19 mm	14 mm	59 mm	132 mm
MST CosmoWh CPO-TW Xtra 90W/728 PGZ12	20 mm	19 mm	18 mm	66 mm	143 mm

General Information

Cap-Base	PGZ12
Operating Position	UNIVERSAL

Light Technical

Chromaticity Coordinate X (Nom)	0.447
Chromaticity Coordinate Y (Nom)	0.4
Color Designation	White (WH)
Correlated Color Temperature (Nom)	2800 K

Controls and Dimming

Dimmable	Yes
----------	-----

Mechanical and Housing

Bulb Finish	Clear
Bulb Shape	T19

Light Technical

Order Code	Full Product Name	Color rendering index (CRI)	Luminous Efficacy (rated) (Nom)	Luminous Flux
928088805127	MST CosmoWh CPO-TW Xtra 140W/728 PGZ12	72	125 lm/W	17,600 lm
928088505127	MST CosmoWh CPO-TW Xtra 60W/728 PGZ12	73	120 lm/W	7,200 lm
928093505127	MST CosmoWh CPO-TW Xtra 90W/728 PGZ12	70	120 lm/W	10,800 lm

Operating and Electrical

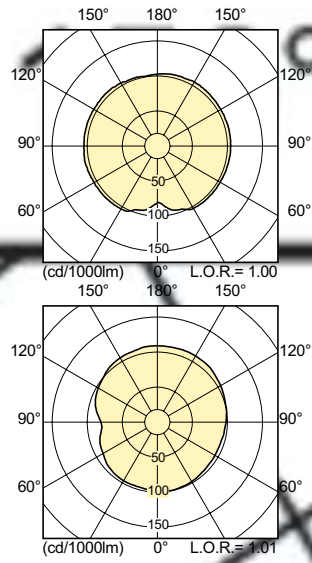
Order Code	Full Product Name	Voltage (Nom)	Power Consumption
928088805127	MST CosmoWh CPO-TW Xtra 140W/728 PGZ12	94 V	141.0 W
928088505127	MST CosmoWh CPO-TW Xtra 60W/728 PGZ12	92 V	60.0 W

Order Code	Full Product Name	Voltage (Nom)	Power Consumption
928093505127	MST CosmoWh CPO-TW Xtra 90W/728 PGZ12	92 V	90.0 W

MASTER CosmoWhite CPO-TW & CPO-TW Xtra

Approval and Application

Order Code	Full Product Name	Energy Consumption kWh/1000 h	Mercury (Hg) Content (Max)	Mercury (Hg) Content (Nom)
928088805127	MST CosmoWh CPO- TW Xtra 140W/728 PGZ12	141 kWh	3.9 mg	3.9 mg
928088505127	MST CosmoWh CPO- TW Xtra 60W/728 PGZ12	60 kWh	2 mg	2.0 mg
928093505127	MST CosmoWh CPO- TW Xtra 90W/728 PGZ12	90 kWh	3 mg	3.0 mg



120°

90°

MASTER CosmoWhite CPO-TW & CPO-TW Xtra

