



Certavision driver for CPO or CDM Elite MW lamps

HID-PV/DV economy for CPO-CDM

Certavision driver is an electronic driver for CPO or CDM Elite MW lamps – helps create an efficient white-light system.

Benefits

- Together with lamp, saves energy compared with SON/HPI EM system
- Up to 12 years lifetime with limited maintenance cost
- Enables control system via 1-10 V interface

Features

- 50,000 hours lifetime
- Intelligent
- Optional control dimming interface, 1-10 V
- >90% efficiency
- Driver thermal detection

Application

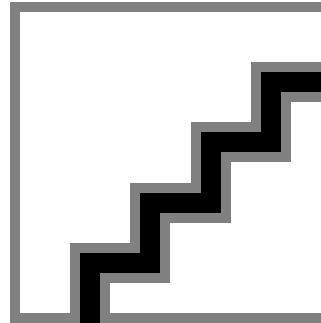
- Road lighting
- Urban lighting
- Industry lighting

HID-PV/DV economy for CPO-CDM

Versions

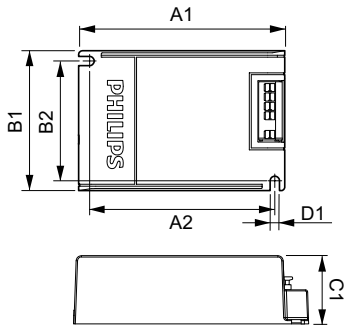


HID-DVE 1-10V 210, HID-PV E 35 /S CDM, HID-PVE 210,



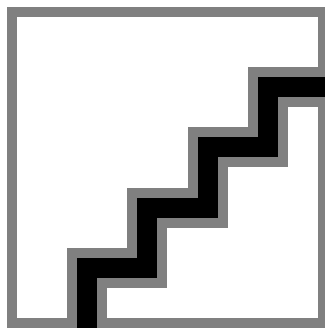
HID-PV E 70 /S CDM 220-240V

Dimensional drawing



Product	D1	C1	A1	A2	B1	B2
HID-PV E 70 /S CDM 220-240V 50/60Hz	4 mm	31.6 mm	109.8 mm	98.7 mm	74.8 mm	63.7 mm

Product	D1	C1	A1	A2	B1	B2
HID-CV 210 /S CPO - CDM 220-240V 50/60HZ	4.8 mm	58.0 mm	168.1 mm	156.4 mm	100.0 mm	81.5 mm



Operating and Electrical

Input Frequency	50 to 60 Hz
Input Voltage	220 to 240 V

General Information

Order Code	Full Product Name	Number Of Products On MCB (16A Type-C) (Nom)	Number Of Lamps	Lamp Type
913712008070	HID-CV 210 /S CPO - CDM 220-240V 50/60HZ	5 piece/unit	1 piece/unit	CDMe/CP O

Order Code	Full Product Name	Number Of Products On MCB (16A Type-C) (Nom)	Number Of Lamps	Lamp Type
913712008566	HID-PV E 70 /S CDM 220-240V 50/60Hz	20 piece/unit	-	CDM

HID-PV/DV economy for CPO-CDM

Mechanical and Housing

Order Code	Full Product Name	Housing
913712008070	HID-CV 210 /S CPO - CDM 220-240V 50/60HZ	C2

Order Code	Full Product Name	Housing
913712008566	HID-PV E 70 /S CDM 220-240V 50/60Hz	/S

System characteristics

Order Code	Full Product Name	Lamp Power	Rated Ballast-
		On CPO-CDM	Lamp Power
913712008070	HID-CV 210 /S CPO - CDM 220-240V 50/60HZ	-	210 W

Order Code	Full Product Name	Lamp Power	Rated Ballast-
		On CPO-CDM	Lamp Power
913712008566	HID-PV E 70 /S CDM 220-240V 50/60Hz	-	70 W

