



Xtreme drivers for maximum energy savings

DynaVision Programmable Xtreme for CPO

Highly reliable and flexible electronic drivers for CPO lamps; designed to save on energy costs via integrated controls and to reduce maintenance costs thanks to 80,000-hour lifetime and integrated lightning protection. The DynaVision Programmable product family is the perfect basis for any sort of lighting management solution.

Benefits

- Enables 2-way communication with the lighting network (via DALI)
- Minimizes maintenance cost due to the Xtreme lifetime of 80,000 hours and the integrated lightning protection
- Together with the CPO lamp the driver creates the most efficient white-light system in the industry in its power range

Features

- Programmable by means of standard digital interface (DALI) and controllable via DALI protocol
- Integrates several control options (DynaDimmer, LineSwitch, AmpDim, Constant Light Output, Adjustable Light Output)
- Longest lifetime for electronic drivers: 80,000 hours with minimum 90% survival at $T_c = 80^\circ\text{C}$
- Xtreme lightning protection 10 kV/5 kA
- Accurate lamp power stabilization of 95-97% over wide mains-voltage range of 180-300 V

DynaVision Programmable Xtreme for CPO

Application

- Road lighting
- Residential lighting
- City beautification

Versions



HID-DV DALI Xt CPO



HID-DV Prog Xt CPO 60 & 140



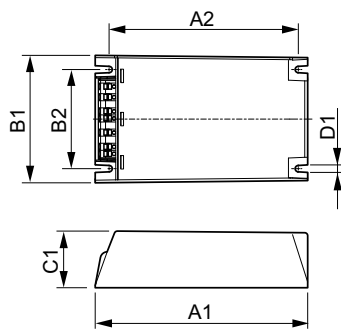
HID-DV Prog Xt CPO 90



HID-DV Prog Xt CPO 45

Dimensional drawing

A2



Product	D1	C1	A1	A2	B1	B2
HID-DV PROG Xt 90	5.0 mm	65.0	150.0	135.9	65.0	46.8
CPO C1 208-277V		mm	mm	mm	mm	mm
HID-DV PROG Xt 140	5.0 mm	65.0	150.0	135.9	65.0	46.8
CPO C1 208-277V		mm	mm	mm	mm	mm

Product						
HID-DV PROG Xt 45 CPO Q						
208-277V						
HID-DV PROG Xt 140 CPO Q	4.5	40.0	150.0	133.6	90.0	70.0
208-277V	mm	mm	mm	mm	mm	mm
HID-DV PROG Xt 60 CPO Q						
208-277V						
HID-DV PROG Xt 90 CPO Q	4.5	40.0	150.0	133.6	90.0	70.0
208-277V	mm	mm	mm	mm	mm	mm

DynaVision Programmable Xtreme for CPO

Operating and Electrical

Input Frequency	50 to 60 Hz
Input Voltage	208-240-277 V

General Information

Number Of Lamps	1 piece/unit
Lamp Type	CPO

Controls and Dimming

Order Code	Full Product Name	Regulating Level
913700675166	HID-DV PROG Xt 90 CPO C1 208-277V	50%-100%
913700675266	HID-DV PROG Xt 140 CPO C1 208-277V	50%-100%
913700685766	HID-DV PROG Xt 60 CPO Q 208-277V	50%-100%

Order Code	Full Product Name	Regulating Level
913700685966	HID-DV PROG Xt 140 CPO Q 208-277V	-
913700685866	HID-DV PROG Xt 90 CPO Q 208-277V	-
913700692866	HID-DV PROG Xt 45 CPO Q 208-277V	58%-100%

General Information

Order Code	Full Product Name	Number Of Products On MCB (16A Type B) (Nom)
913700675166	HID-DV PROG Xt 90 CPO C1 208-277V	5
913700675266	HID-DV PROG Xt 140 CPO C1 208-277V	5
913700685766	HID-DV PROG Xt 60 CPO Q 208-277V	11

Order Code	Full Product Name	Number Of Products On MCB (16A Type B) (Nom)
913700685966	HID-DV PROG Xt 140 CPO Q 208-277V	5
913700685866	HID-DV PROG Xt 90 CPO Q 208-277V	5
913700692866	HID-DV PROG Xt 45 CPO Q 208-277V	11

Mechanical and Housing

Order Code	Full Product Name	Housing
913700675166	HID-DV PROG Xt 90 CPO C1 208-277V	C1
913700675266	HID-DV PROG Xt 140 CPO C1 208-277V	C1
913700685766	HID-DV PROG Xt 60 CPO Q 208-277V	Q

Order Code	Full Product Name	Housing
913700685966	HID-DV PROG Xt 140 CPO Q 208-277V	Q
913700685866	HID-DV PROG Xt 90 CPO Q 208-277V	Q
913700692866	HID-DV PROG Xt 45 CPO Q 208-277V	Q

System characteristics

Order Code	Full Product Name	Lamp Power On CPO	Rated Ballast- Lamp Power
913700675166	HID-DV PROG Xt 90 CPO C1 208-277V	90 W	90 W
913700675266	HID-DV PROG Xt 140 CPO C1 208-277V	140 W	140 W
913700685766	HID-DV PROG Xt 60 CPO Q 208-277V	60 W	60 W

Order Code	Full Product Name	Lamp Power On CPO	Rated Ballast- Lamp Power
913700685966	HID-DV PROG Xt 140 CPO Q 208-277V	140 W	140 W
913700685866	HID-DV PROG Xt 90 CPO Q 208-277V	90 W	90 W

