



Product Description

MASTER MHN-FC

Compact quartz metal halide lamps with double pinch

Benefits

Features

Application

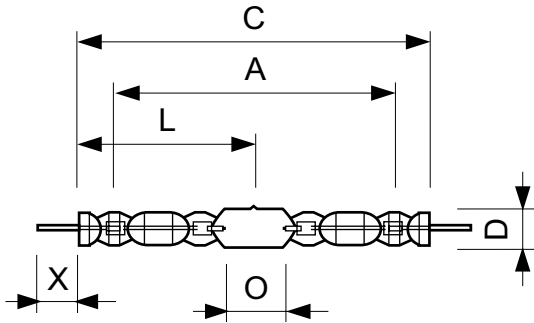
Warnings and Safety

Versions



MASTER MHN-FC

Dimensional drawing



| Product | D (max) | D | O | X | L | A | C (max) |
|---------------------------------------|---------|---------|---------|-------|--------|--------|---------|
| MASTER MHN-FC 2200W/640 400V XW | 33 mm | 25.5 mm | 108 mm | 58 mm | 177 mm | 290 mm | 476 mm |
| MASTER MHN-FC 1000W/740 230V XW | 33 mm | 25.5 mm | 42.5 mm | 58 mm | 144 mm | 226 mm | 290 mm |
| MASTER MHN-FC 2000W/740 400V XW | 33 mm | 25.5 mm | 108 mm | 58 mm | 177 mm | 290 mm | 357 mm |

Approval and Application

Energy Efficiency Label (EEL) A+

Controls and Dimming

Dimmable no

General Information

Cap-Base DOUBLEENDED

Operating Position P5

Luminaire Design Requirements

Bulb Temperature (Max) 950 °C

Light Technical

Colour Designation White (WH)

Lumen Maintenance 1000 h (Nom) 90 %

Lumen Maintenance 10000 h (Nom) 70 %

Lumen Maintenance 2000 h (Nom) 85 %

Lumen Maintenance 5000 h (Nom) 75 %

Mechanical and Housing

Bulb Finish Clear

Approval and Application

| Order Code | Full Product Name | Energy Consumption kWh/ 1000 h | Mercury (Hg) Content (Nom) |
|------------|---------------------------------|-----------------------------------|-------------------------------|
| 21349500 | MASTER MHN-FC 2000W/740 400V XW | 2235 kWh | 105 mg |
| 41777500 | MASTER MHN-FC 2200W/640 400V XW | 2464 kWh | 103.5 mg |
| 21424900 | MASTER MHN-FC 1000W/740 230V XW | 1144 kWh | 85 mg |

Operating and Electrical (1/2)

| Order Code | Full Product Name | Lamp | | | |
|------------|---------------------------------------|-----------------------|------------------|------------------|------------------|
| | | Current (EM) (Nom) | Voltage (Max) | Voltage (Min) | Voltage (Nom) |
| 21349500 | MASTER MHN-FC 2000W/740 400V XW | 10.11 A | 235 V | 205 V | 222 V |
| 41777500 | MASTER MHN-FC 2200W/640 400V XW | 11.00 A | 242 V | 213 V | 230 V |

| Order Code | Full Product Name | Lamp | | | |
|------------|---------------------------------------|-----------------------|------------------|------------------|------------------|
| | | Current (EM) (Nom) | Voltage (Max) | Voltage (Min) | Voltage (Nom) |
| 21424900 | MASTER MHN-FC 1000W/740 230V XW | 8.9 A | 145 V | 115 V | 130 V |

Operating and Electrical (2/2)

| Order Code | Full Product Name | Power (Rated) (Nom) |
|------------|---------------------------------|---------------------|
| 21349500 | MASTER MHN-FC 2000W/740 400V XW | 2032.0 W |

MASTER MHN-FC

| Order Code | Full Product Name | Power (Rated) (Nom) |
|------------|---------------------------------|---------------------|
| 41777500 | MASTER MHN-FC 2200W/640 400V XW | 2240.0 W |

| Order Code | Full Product Name | Power (Rated) (Nom) |
|------------|---------------------------------|---------------------|
| 21424900 | MASTER MHN-FC 1000W/740 230V XW | 1040.0 W |

General Information

| Order Code | Full Product Name | Life To 10% | Life To 20% | Life To 50% | Life To 5% |
|------------|---------------------------------|----------------|----------------|----------------|----------------|
| | | Failures (Nom) | Failures (Nom) | Failures (Nom) | Failures (Nom) |
| 21349500 | MASTER MHN-FC 2000W/740 400V XW | 8000 h | 9500 h | 12000 h | 7000 h |
| 41777500 | MASTER MHN-FC 2200W/640 400V XW | 5200 h | 6500 h | 9300 h | 4140 h |

| Order Code | Full Product Name | Life To 10% | Life To 20% | Life To 50% | Life To 5% |
|------------|---------------------------------|----------------|----------------|----------------|----------------|
| | | Failures (Nom) | Failures (Nom) | Failures (Nom) | Failures (Nom) |
| 21424900 | MASTER MHN-FC 1000W/740 230V XW | 8000 h | 9500 h | 12000 h | 7000 h |

Light Technical (1/2)

| Order Code | Full Product Name | Chromaticity | Chromaticity | Correlated Colour | |
|------------|---------------------------------|--------------------|--------------------|-------------------|-------------------|
| | | Coordinate X (Nom) | Coordinate Y (Nom) | Colour Code | Temperature (Nom) |
| 21349500 | MASTER MHN-FC 2000W/740 400V XW | 380 | 419 | 740 | 4200 K |
| 41777500 | MASTER MHN-FC | 382 | 400 | 640 | 4100 K |

| Order Code | Full Product Name | Chromaticity | Chromaticity | Correlated Colour | |
|------------|---------------------------------|--------------------|--------------------|-------------------|-------------------|
| | | Coordinate X (Nom) | Coordinate Y (Nom) | Colour Code | Temperature (Nom) |
| | 2200W/640 400V XW | | | | |
| 21424900 | MASTER MHN-FC 1000W/740 230V XW | 374 | 366 | 740 | 4100 K |

Light Technical (2/2)

| Order Code | Full Product Name | Colour Rendering Index | Colour Rendering Index | Luminous Efficacy (rated) | Luminous Flux (Rated) | Luminous Flux (Rated) |
|------------|---------------------------------|------------------------|------------------------|---------------------------|-----------------------|-----------------------|
| | | (Min) | (Nom) | (Nom) | (Min) | (Nom) |
| 21349500 | MASTER MHN-FC 2000W/740 400V XW | - | 60 | 102 lm/W | 190000 lm | 210000 lm |
| 41777500 | MASTER MHN-FC | 56 | 60 | 105 lm/W | 208800 lm | 232000 lm |

| Order Code | Full Product Name | Colour Rendering Index | Colour Rendering Index | Luminous Efficacy (rated) | Luminous Flux (Rated) | Luminous Flux (Rated) |
|------------|-------------------|------------------------|------------------------|---------------------------|-----------------------|-----------------------|
| | | (Min) | (Nom) | (Nom) | (Min) | (Nom) |
| | 2200W/640 400V XW | | | | | |
| 21424900 | MASTER MHN-FC | 62 | 65 | 91 lm/W | 88000 lm | 93000 lm |

