



Product Description

MHN-TD

Double-envelope, single- or double-ended Metal halide lamps

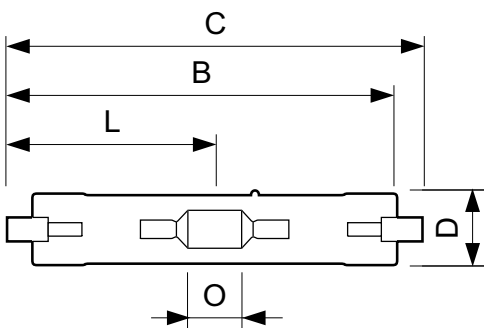
Benefits

Features

Application

Warnings and Safety

Dimensional drawing



Product	D (max)	D	O	C (max)
MHN-TD 150W/730 RX7s 1CT/12	23.0 mm	0.89 in	17.8 mm	135.4 mm
MHN-TD 70W/730 RX7s 1CT/12	19.5 mm	0.75 in	7.7 mm	117.6 mm
MHN-TD 150W/842 RX7s 1CT/12	23.0 mm	0.89 in	17.8 mm	135.4 mm

MHN-TD

Controls and Dimming

Dimmable	no
----------	----

General Information

Cap-Base	RX7S
Life To 5% Failures (Min)	4000 h
Life To 5% Failures (Nom)	5000 h
Operating Position	P45

Mechanical and Housing

Bulb Finish	Clear
Bulb Shape	TD

Approval and Application

Order Code	Full Product Name	Energy Consumption kWh/1000 h	Energy Efficiency Label (EEL)	Mercury (Hg) Content (Nom)
21536300	MHN-TD 150W/842 RX7s 1CT/12	165 kWh	A	12.3 mg
21530100	MHN-TD 70W/730 RX7s 1CT/12	83 kWh	A	13.4 mg

Order Code	Full Product Name	Energy Consumption kWh/1000 h	Energy Efficiency Label (EEL)	Mercury (Hg) Content (Nom)
21534900	MHN-TD 150W/730 RX7s 1CT/12	165 kWh	A+	18 mg

Operating and Electrical

Order Code	Full Product Name	Lamp Current (EM) (Nom)	Voltage (Max)	Voltage (Min)	Voltage (Nom)	Power (Rated) (Nom)
21536300	MHN-TD 150W/842 RX7s 1CT/12	1.8 A	108 V	88 V	98 V	150.0 W
21530100	MHN-TD 70W/730 RX7s 1CT/12	0.98 A	98 V	78 V	90 V	75.0 W
21534900	MHN-TD 150W/730 RX7s 1CT/12	1.8 A	106 V	86 V	96 V	150.0 W

General Information

Order Code	Full Product Name	Life To 20% Failures (Min)	Life To 20% Failures (Nom)	Life To 50% Failures (Min)	Life To 50% Failures (Nom)
21536300	MHN-TD 150W/842 RX7s 1CT/12	6500 h	8000 h	8500 h	10500 h
21530100	MHN-TD 70W/730 RX7s 1CT/12	5800 h	7000 h	7500 h	9000 h

Order Code	Full Product Name	Life To 20% Failures (Min)	Life To 20% Failures (Nom)	Life To 50% Failures (Min)	Life To 50% Failures (Nom)
21534900	MHN-TD 150W/730 RX7s 1CT/12	6500 h	8000 h	8500 h	10500 h

Luminaire Design Requirements

Order Code	Full Product Name	Bulb Temperature (Max)
21536300	MHN-TD 150W/842 RX7s 1CT/12	650 °C
21530100	MHN-TD 70W/730 RX7s 1CT/12	500 °C

Order Code	Full Product Name	Bulb Temperature (Max)
21534900	MHN-TD 150W/730 RX7s 1CT/12	650 °C

Light Technical (1/2)

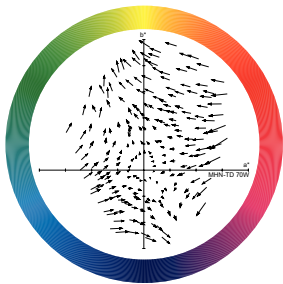
MHN-TD

Order Code	Full Product Name	Chromaticity	Chromaticity	Colour		Correlated Colour	Colour	
		Coordinate X (Nom)	Coordinate Y (Nom)	Code	Colour Designation	Temperature (Nom)	Rendering Index (Nom)	Lumen Maintenance 10000 h (Min)
21536300	MHN-TD 150W/842 RX7s 1CT/12	370	370	842	Cool White (CW)	4200 K	85	60 %
21530100	MHN-TD 70W/730 RX7s 1CT/12	434	400	730	Warm white (WW)	3000 K	70	45 %
21534900	MHN-TD 150W/730 RX7s 1CT/12	434	400	730	Warm white (WW)	3000 K	70	50 %

Light Technical (2/2)

Order Code	Full Product Name	Lumen	Lumen	Lumen	Lumen	Lumen	Luminous	Luminous	Luminous	Luminous
		Maintenance 10000 h (Nom)	Maintenance 2000 h (Min)	Maintenance 2000 h (Nom)	Maintenance 5000 h (Min)	Maintenance 5000 h (Nom)	Efficacy (rated) (Min)	Efficacy (rated) (Nom)	Flux (Rated) (Min)	Flux (Rated) (Nom)
21536300	MHN-TD 150W/842 RX7s 1CT/12	70 %	74 %	80 %	68 %	75 %	75 lm/W	86 lm/W	11600 lm	12900 lm
21530100	MHN-TD 70W/730 RX7s 1CT/12	55 %	59 %	65 %	53 %	60 %	-	80 lm/W	5200 lm	6000 lm
21534900	MHN-TD 150W/730 RX7s 1CT/12	60 %	69 %	75 %	58 %	65 %	76 lm/W	87 lm/W	12200 lm	13800 lm

Colour Rendering Diagrams



LDCR_MHN-TD_70W-Colour rendering diagram



MHN-TD

